

Casambi Ecosystem Products

Casambi Ready Range Extender
Line Voltage Range Extender Input 120-277 VAC. Max. Bluetooth range up to 100ft.

- Line Voltage Input 120-277 VAC
- Range Extender: Max Bluetooth Range up to 100 FT (30m)
- Lighting Protection: Built-in Surge Protector @ 2000TAPKA
- Operating Temp: -30°C to 70°C, 90-95% Non-condensing
- Application for Indoor and Outdoor
- Technology Partner Casambi

Line Voltage Range Extender

Casambi Ready Z10 Socket Controller
Casambi Mesh Fixture Controller, 12-24VDC, Single Channel Z10 Gateway, Z10 controller with product.

- PIR sensor
- 0-10V dimming output
- Bluetooth Mesh Enabled
- Photoresist for daylight sensing
- Active high output for Relay drive
- Mounting height up to 40 ft.
- 200' coverage radius
- Low Voltage Controller, match with PSC-200V101, TE-243095-1

Z10 Connected Controller/Sensor

PSC-TKP-200-BLE-CB Line-Voltage Time Keeper
The 500Watt Line Voltage Time Keeper PSC-TKP-200-BLE-CB provides reliable scheduling when using with Casambi Bluetooth Mesh network.

PSC-TKP-200-BLE-CB comes with back-up battery to provide support in case of power out. The back-up battery is recharged by the integrated charge controller, and can hold for approximately 60 hours.

*Charge for 24 hours before use
*Replace 6FR6 battery when use.

Line Voltage Time Keeper

Casambi Ready Outdoor Fixture

- Casambi Ready Fixtures and Drivers will have the Casambi software embedded, or Casambi device installed at the factory.
- See www.casambi.com for a full list of fixture and driver manufacturers that are Casambi Partners.

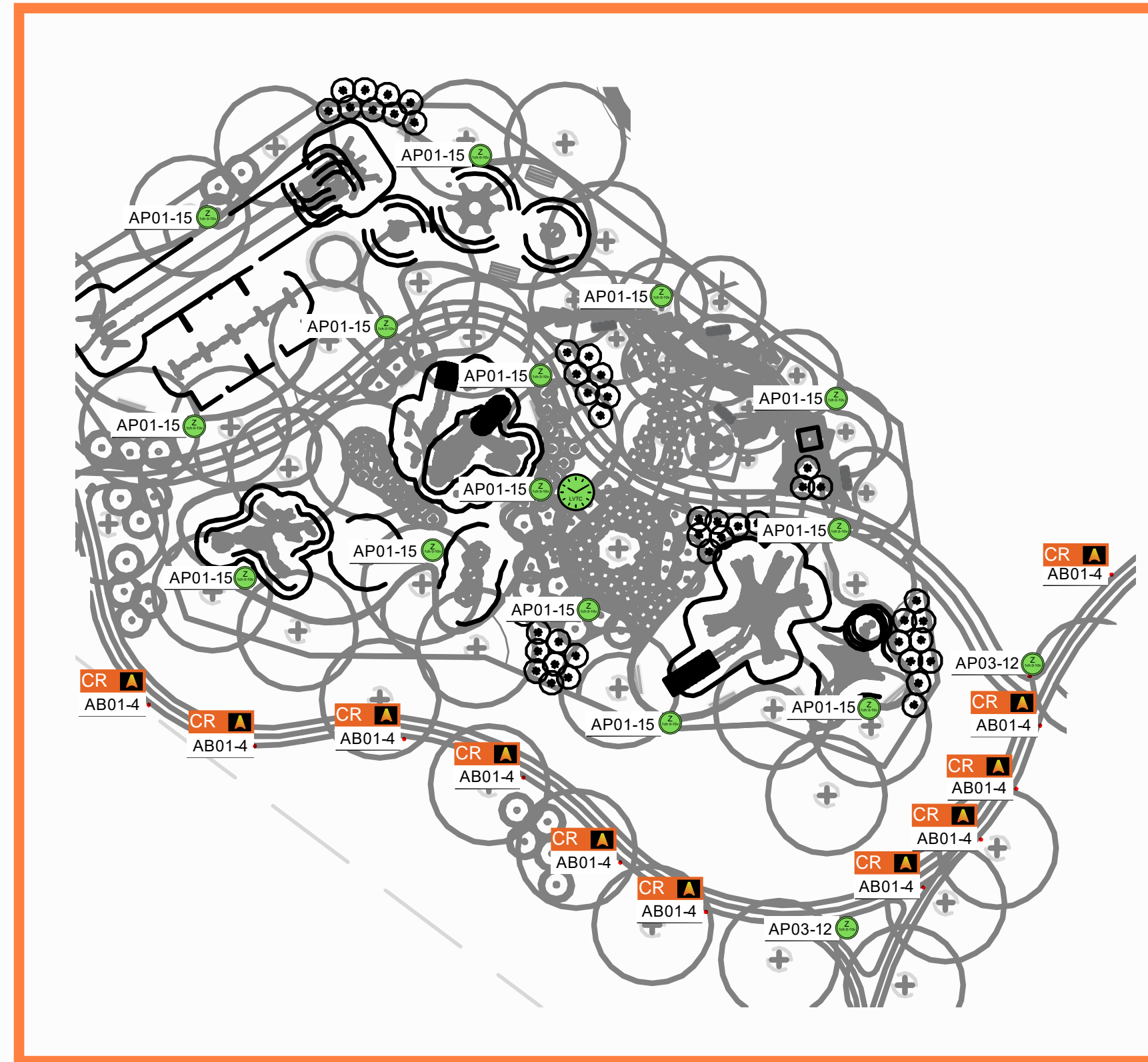
Casambi Ready outdoor Fixture

Casambi Enabled Gateway
Gateway with Power Supply Unit

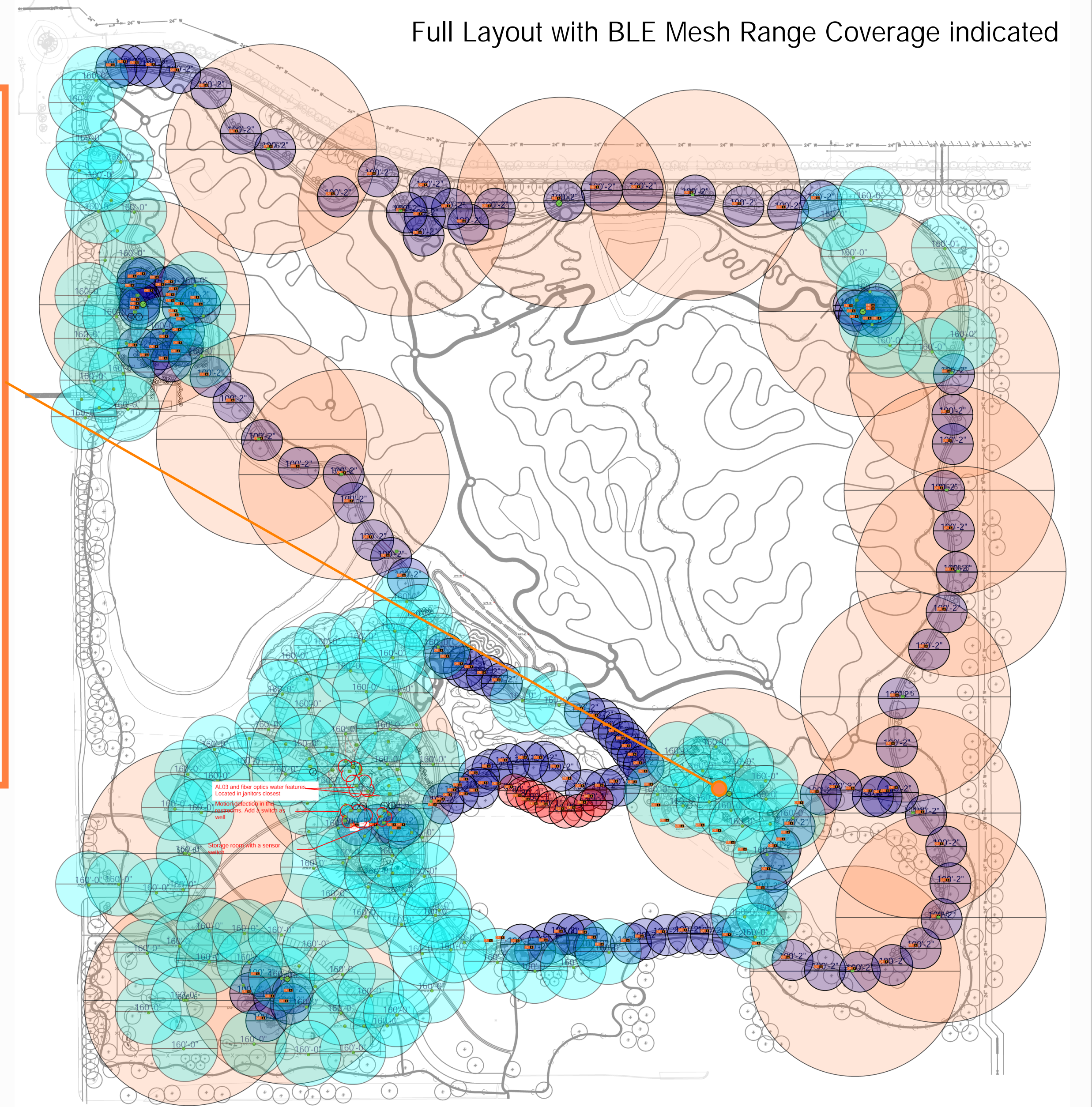
- Supports IEEE 802.11n, Casambi Gateway v1.0
- 100% Bluetooth Mesh Enabled
- 4x RJ45 ports (2x 10/100/1000 Mbps)
- Supports 100V-240V AC
- Supports 100V-240V AC
- Supports 100V-240V AC
- Supports 100V-240V AC
- Supports 100V-240V AC
- Supports 100V-240V AC
- Supports 100V-240V AC

Gateway w/ Power Supply

City Park



Full Layout with BLE Mesh Range Coverage indicated



Code Compliance

C405.2.7	Exterior Lighting Controls
C405.2.4	Daylight Responsive Controls
C405.2.2	Timeswitch Controls
C405.2.1	Occupancy Sensor Controls

Sequence of Operations Example:

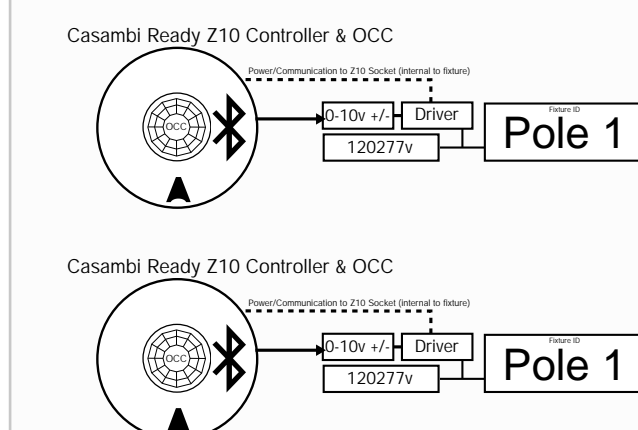
1. Auto-on via Timer/Schedule
2. Auto-off via Timer/Schedule
3. Auto-on via Photocell
4. Light Reduction Photocell

Design Considerations

1. 650ft line of site for Long Range products only
2. 150ft for non-Long Range products
3. 120v needed for Range Extender and Time Keeper

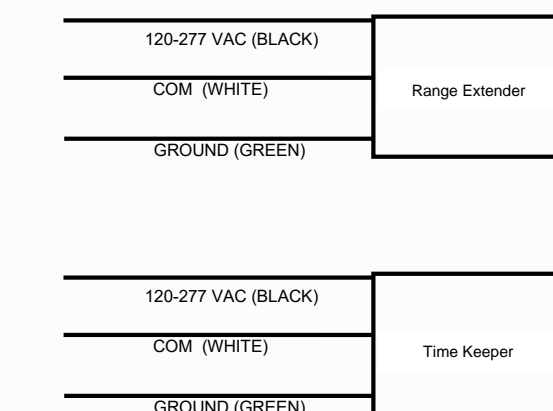
Single-Line

Light Poles & Bollards

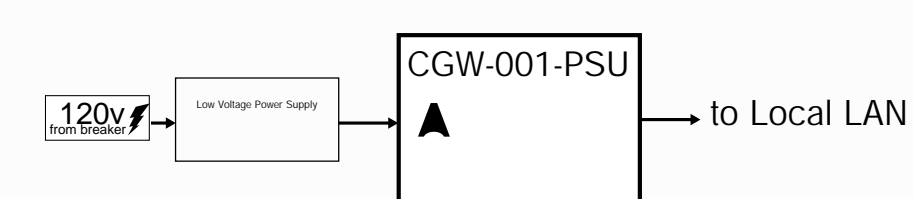


Casambi Mobile App

Range Extenders & Time Keepers



Gateway



Detailed Wiring

Casambi Ready Long Range Outdoor Extender

Casambi Ready Wireless Fixture Controller, w/Z10 Connector

Physical Dimensions

Wireless Block Diagram: