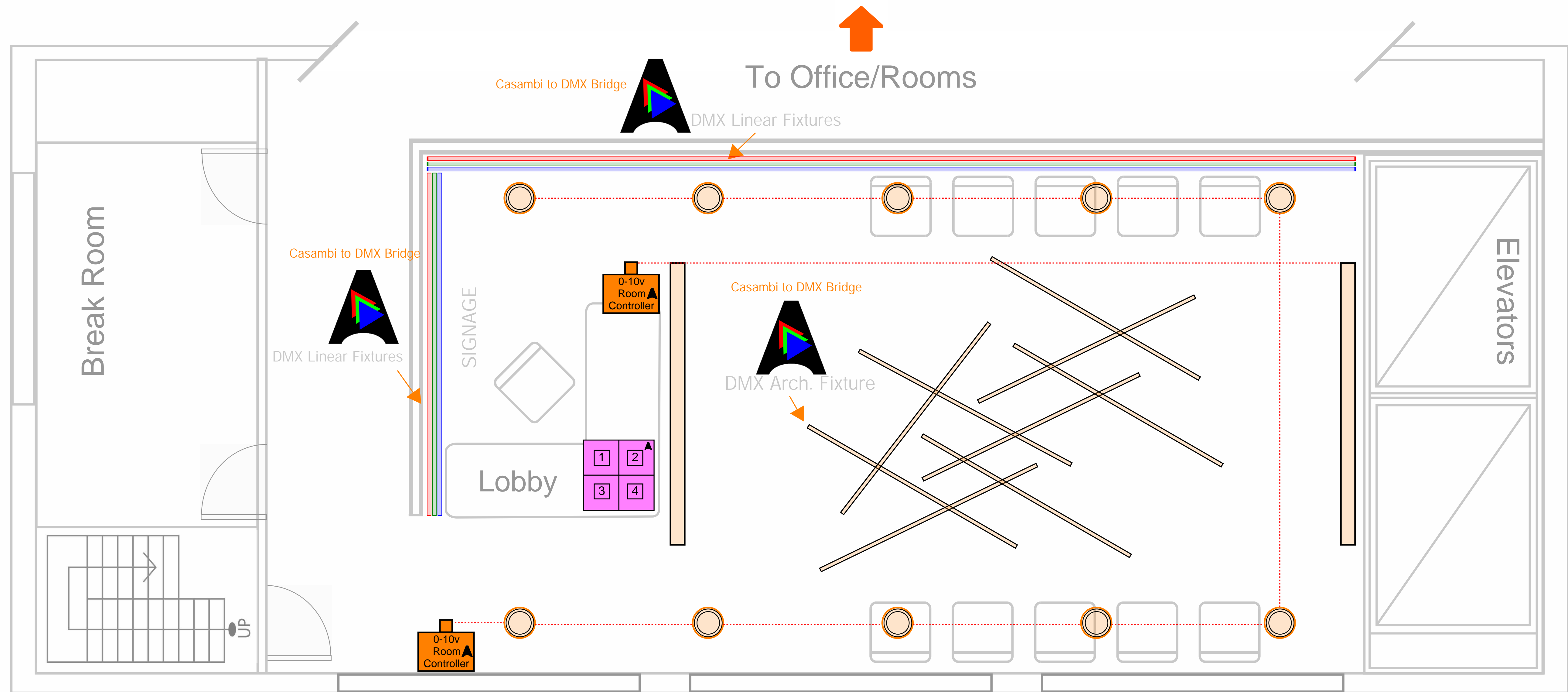


## Office / Clinic / Hotel / Spa Lobby



### Casambi Ecosystem Products

**casDMX**  
Casambi Enabled 8-Channel DMX Master

casDMX is a Bluetooth controllable, Casambi enabled, eight channel DMX-512 master dimmer. It drives one DMX-512 universe, connecting to DMX enabled lighting devices and fixtures. The casDMX is connected between a 12-24 VDC Class 2 power supply and provides a non-isolated DMX-512 universe, relay output, and sensor input.

casDMX can control up to eight DMX universes. Ideal pairing is an ideal partner for RGBW and tunable white (TW) applications. Multiple Casambi profiles allow for straight light channels, straight four channel and Casambi color-picker compatible 4-channel channels.

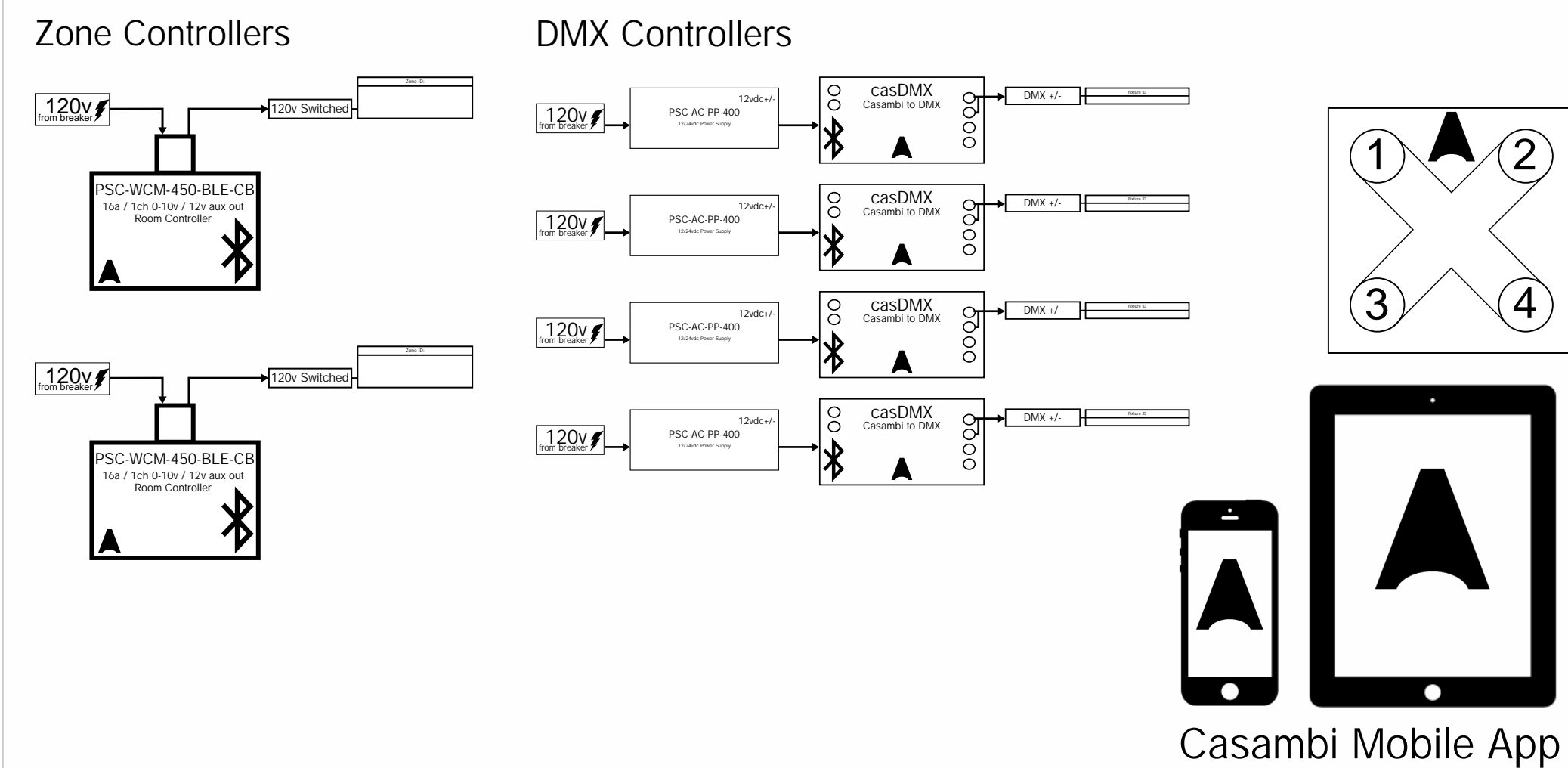
**Casambi Ready 0-10v Room Controller**  
Casambi Ready Room Controller: 120-277VAC with dimming 12-watt Aux. Sensor input, Power Monitoring, 16A Relay

- 100-277VAC Input Voltage
- 0-10V Output to LED Driver
- Relay with Zero-Crossing
- Active High Output for Relay Drive
- 12V aux Power

**CBU-xpress Black**  
Casambi Xpress Keypad Black Finish

Line Voltage Keypad

### Single-Line



### Detailed Wiring

