



BTT-S2AWH Bluetooth BLE (EnOcean) Dual Rocker Wireless Switch

Project: _____

Reference type: _____

Item code: _____

Date: _____

Notes: _____



Single Rocker Self-powered Wireless Light Switch

Dual Rocker Self-powered Wireless Light Switch

- ExT-S1AWH (White)
 - ExT-S1ABR (Brown)
 - ExT-S2AWH (White)
 - ExT-S2ABR (Brown)
 - ExT-S1ALA (Light Almond)
 - ExT-S1ABK (Black)
 - ExT-S2ALA (Light Almond)
 - ExT-S2ABK (Black)
 - ExT-S1AIV (Ivory)
 - ExT-S1AGY (Gray)
 - ExT-S2AIV (Ivory)
 - ExT-S2AGY (Gray)
- ExT: E3T=315 MHz, E8T=868 MHz, E9T=915 MHz

ILLUMRA™ self-powered light switches use no wires or batteries. Pressing the switch creates the energy to transmit a wireless signal that controls lights or other devices connected to EnOcean receivers.

Easy-To-Use

- Installs in minutes
- Requires no wiring
- Easy to configure
- Communicates with EnOcean receivers

Reliable Range

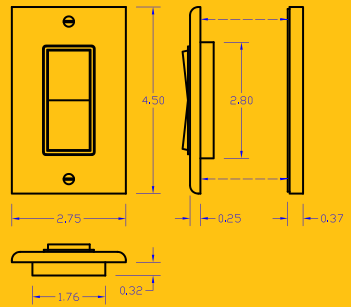
- 50-150 foot operating range (typical)
- Unique ID of each switch activates only the intended receiver(s)

Save Time and Money

Avoid costly and time-consuming installation of hardwire switches by choosing ILLUMRA wireless switches and receivers. Installing a switch doesn't have to mean tearing open a wall.

Save Energy

Save energy and money by creating Manual ON / Auto OFF controls using ILLUMRA switches and occupancy sensors or by programming all lights to respond to a single master switch. ILLUMRA makes it easy to keep lights and systems off when not in use!



ILLUMRA
Lindon, UT

T: (801) 349-1200
Sales@ILLUMRA.com
Info@ILLUMRA.com
www.ILLUMRA.com



Simple Wireless Control

- Mount switches anywhere
- Create 3-way and 4-way switches
- Control lights, motors, or other electrical loads
- Reconfigure or relocate as needed

Control The Way You Want It

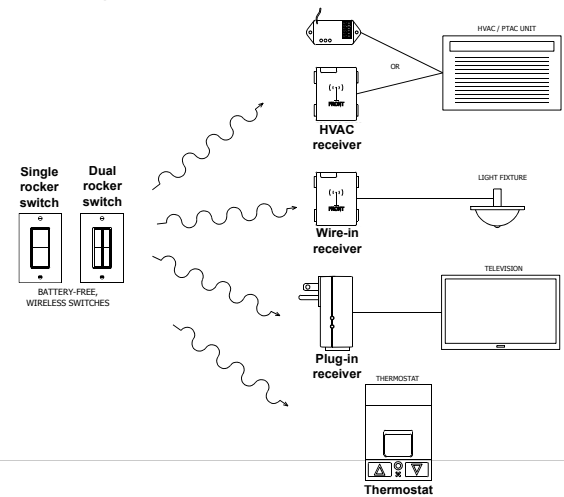
- Use with any line voltage or low voltage ILLUMRA receivers
- Control an unlimited number of EnOcean receivers within range
- Experience wireless dimming or ON/OFF control
- Maintenance-free operation for 20+ years

Available Colors:



	ExT-S1Axx	ExT-S2Axx
Range	50-150 feet (typical)	
Frequency	315, 868 or 902 MHz	
Power Supply	Self-generated when switch is pressed	
Buttons	2 Buttons (1 rocker)	4 Buttons (2 rockers)
Output Channels	Only limited by number of receivers in range	
Dimensions	2.75 (W) x 4.5 (H) x 0.62 (D) inches	
Radio Certification	FCC (United States): SZV-PTM200C, 210C or 210U I.C. (Canada): 5713A-PTM200C, 210C or 210U *868 Not FCC Apprvd	
Addressing	Factory set unique ID (1 of 4 billion)	

Network Diagram



This device or certain aspects thereof is protected by at least one U.S. or international patent or has at least one such patent application pending.



ILLUMRA is a trademark of Ad Hoc Electronics, LLC. Other trademarks herein are the property of their respective owners.

AHD0201C

