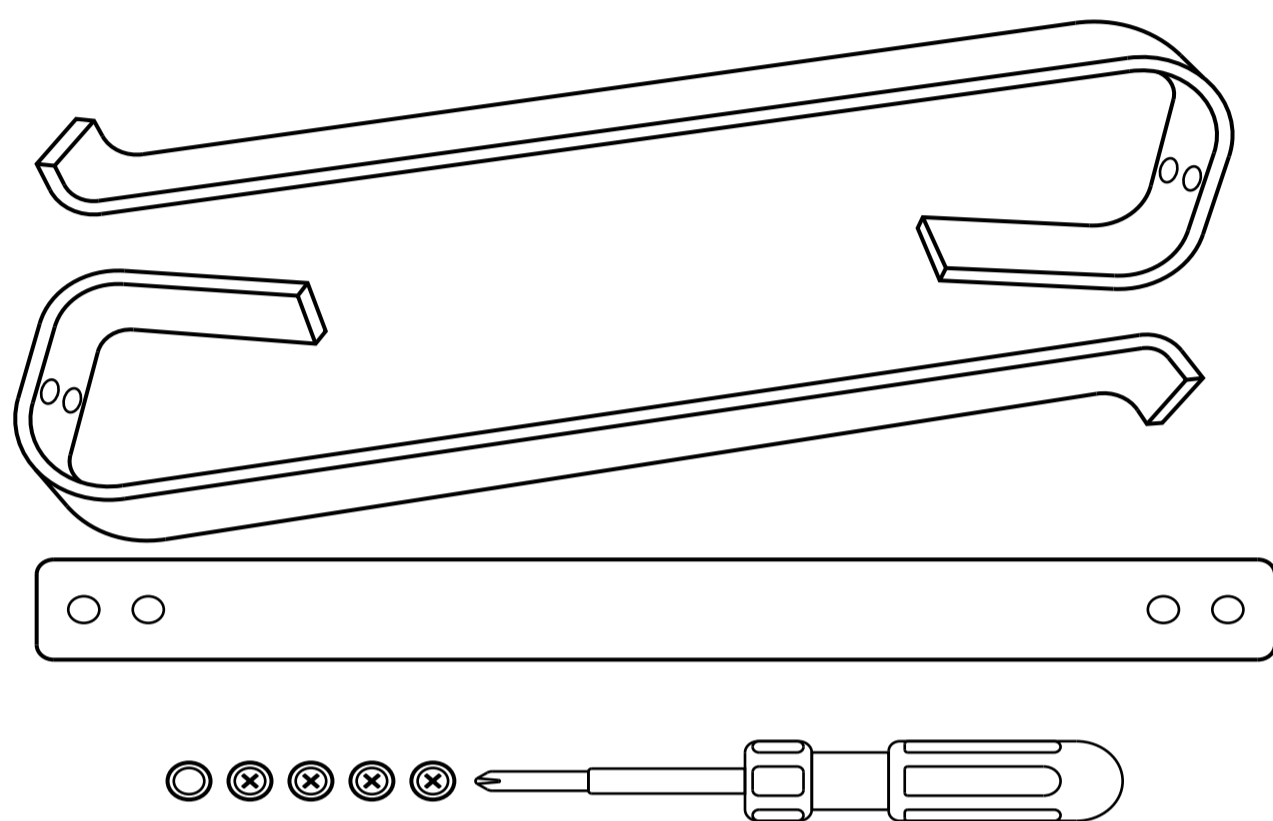


# Tabletop Riser Laptop Stand

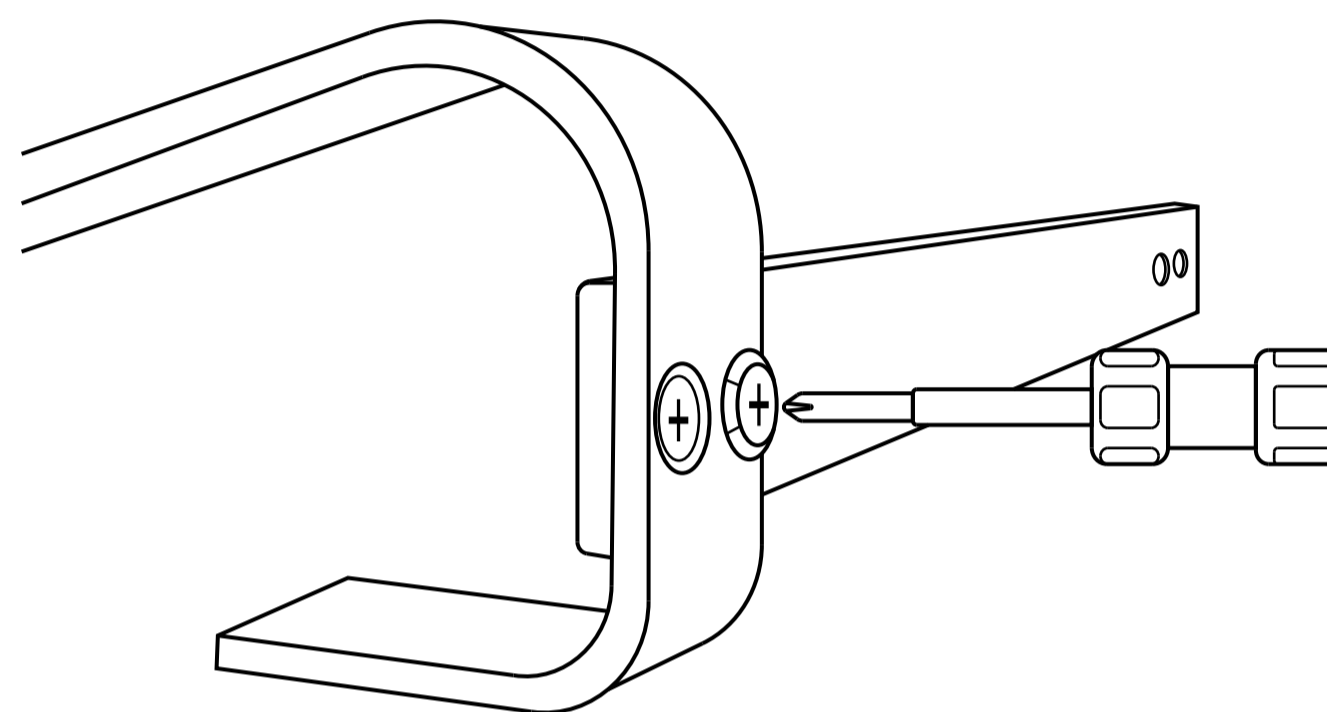
## User Guide

1



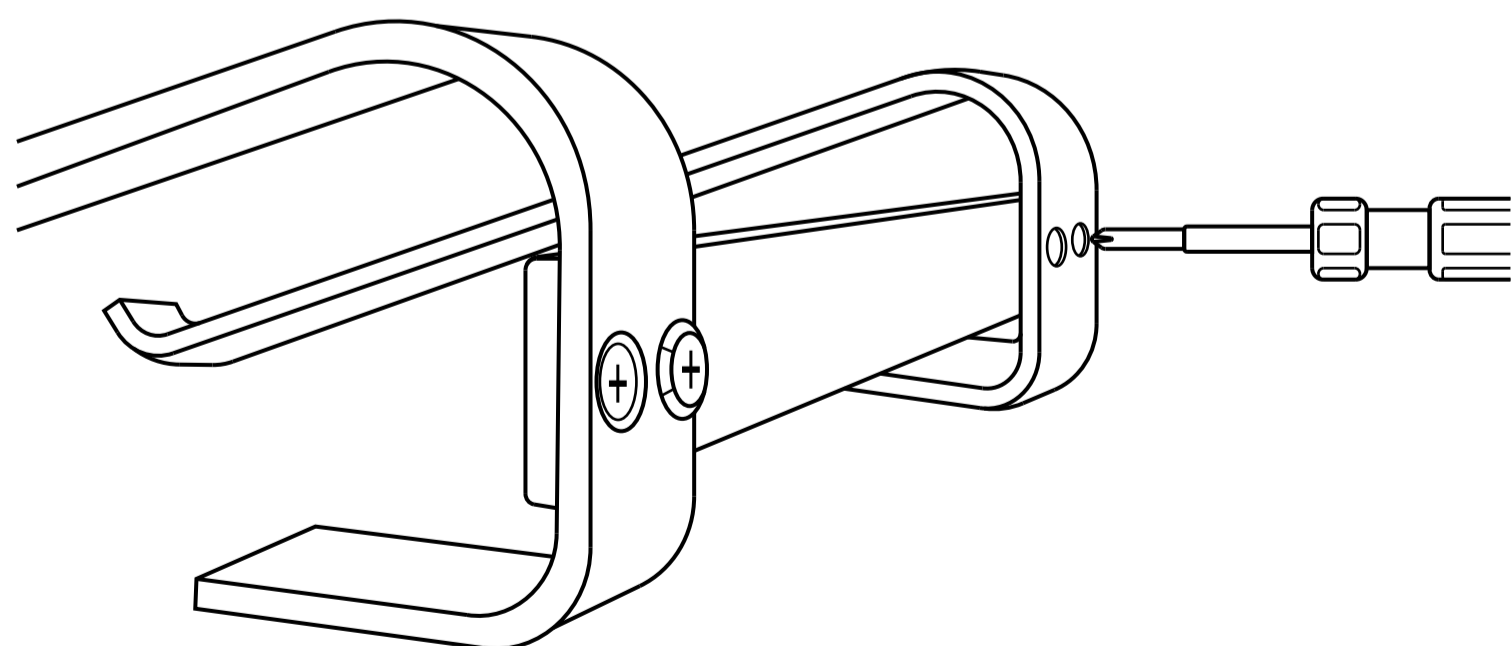
Get all parts ready for installation. You will need a 4 way screwdriver to set up the stand.

2



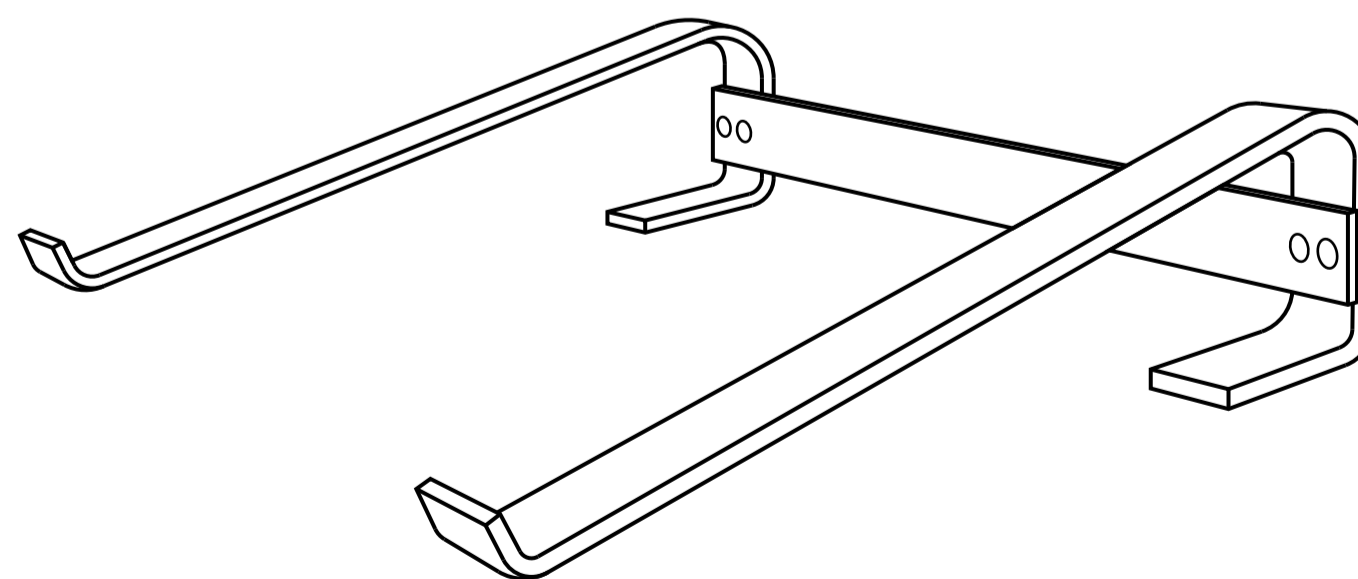
Connect the two parts shown in the picture with a screwdriver and screws.

3



Repeat step 2 on the other side of the laptop stand.

4



Make sure all screws are bolted tightly before final use.