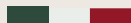




Passione in Cucina



Imperatore Nero 4B

Imperatore Nero 5B

EN | USER MANUAL

NL | GEBRUIKSAANWIJZING

DE | BENUTZERHANDBUCH

FR | NOTICE D'EMPLOI

IT | MANUALE D'USO

SE | ANVÄNDARINSTRUKTIONER

FI | OHJEKIRJASSA

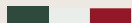
DK | BRUGANVISNING

NO | DRIFTSVEILEDNING

www.boretti.com



Passione in Cucina



IMPERATORE 4B IMPERATORE 5B

EN | USER MANUAL

www.boretti.com

Introduction

Congratulations on the purchase of your new barbecue. We are convinced that you, with your passion for barbecuing and the outdoor lifestyle, will transform an average summer evening into a beautiful *buona sera* and your garden into a *giardino*.

Squadra Boretti

Read this manual carefully and keep it safe!

This manual contains specific instructions for your safety, for the assembly, operation and the maintenance of your barbecue. Use the barbecue only as directed in this manual. Common sense and caution during use are an absolute *must!*

Contents

* 1. General safety guidelines.....	6
* 2. Parts list	9
* 3. Assembly drawings.....	10
* 4. Use of your barbecue	14
* 5. Maintenance of your barbecue.....	19
* 6. Environmental guide, Conditions of warranty & Contact info.....	22

Important safety information

Use outdoors only!

Read the instructions before using the appliance!

WARNING: accessible parts may be very hot. Keep young children away!

Do not move the appliance during use!

Turn off the gas supply at the gas cylinder after use!

1. General safety guidelines

- * Before use, *first* carefully read all the information contained in this manual.
- * *Never* let children and pets come in the vicinity of this barbecue.
- * This barbecue may never be used by children, people with mental impairments or people who are under the influence of mind expanding substances and/or medication.
- * Always maintain as much distance as possible when lighting and operating this barbecue.
- * Change the gas cylinder far away from any source of ignition.
- * The gasbottle can be placed underneath the barbecue. This does not comply for a table model barbecue.
- * Take care that the gashose does not fold during installation of the gasregulator.
- * The supplied gasregulator should be used. If a new gasregulator is installed, take care that it complies with the EN 16129. The gaspressure must be the same as stated on the ratinglabel on the barbecue.
- * Ensure that the gas valve on the gas bottle is within reach, so you can turn off the gas supply to the barbecue.
- * Extinguish all flames and DO NOT SMOKE while opening the gas valve and lighting the barbecue.
- * This barbecue will get extremely hot, extreme care and attention is required during its operation.
- * If you smell gas, check if all fuel connections are tightened securely *before use*. If the gas smell persists, turn of the gas valve and contact your sales outlet directly.
- * Keep flammable and/or inflammable substances, gasses, liquids and materials away from the barbecue at all times and never let them come into direct contact with the barbecue.
- * Omitting and/or incorrectly following the instructions, precautions, safety guidelines, warnings and dangers that are contained in this manual can lead to fire or explosions, to material damage and may also cause physical injury or death.

- * Exclusively for household use and exclusively intended for the preparation of food.
- * Follow the technical information as stated in the instruction manual and Check with your local gas supplier to have a suitable gas cylinder for your barbecue.
- * Avoid twisting the flexible tube when the appliance is in use. The length of flexible hose shall not exceed 1.5m. In Finland, the length shall not exceed 1.2m. The hose should certified according to applicable EN Standard and comply with local code.

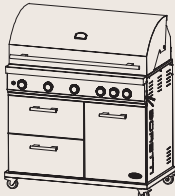
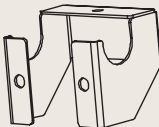
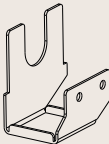

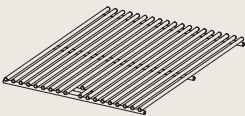
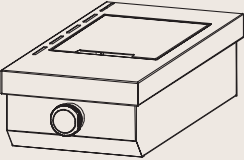

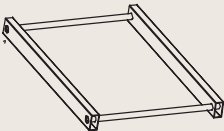





1.1 Assembly

- * Assemble the barbecue according to the assembly drawing as contained in this manual.
- * Incorrect assembly or not following the correct order of assembly, as demonstrated in the drawing, can lead to very serious situations.
- * Always take care and be precise during assembly.
- * All parts *must* be assembled as shown in the assembly drawing. If a part is missing and/or you doubt the correctness of the assembly, immediately contact your sales outlet.
- * *Never* repair or replace parts of this equipment yourself unless this is expressly mentioned in this manual.
- * Never connect a damaged gas hose to the equipment. This can lead to fire.
- * In the event that the equipment is fitted with a plug, this will be an earthed main plug to protect you from electric shocks. The plug must be connected to a suitable, earthed, socket.
NEVER remove the metal plates from the plug.
- * DO NOT modify the appliance.

1.2 Place of use

- * Only use the barbecue out of doors (outside) and in a well-ventilated space. Never use the barbecue inside or in any (partly) enclosed space. Toxic fumes may build up and these can cause serious physical injury or death.
- * Never use the barbecue on a flammable or inflammable surface.
- * Only use the barbecue on a hard, straight and stable surface that can take the weight.
- * Keep a distance of at least 3 metres between the barbecue and all flammable and/or inflammable materials (wood, plastic, foliage etc.), when the barbecue is in use.
- * Always keep the barbecue away from petrol and/or other flammable or inflammable liquids, flammable gases, flammable fumes or areas where you suspect these may be present.
- * Never use the barbecue under strong wind conditions.
- * Ensure that the main burner(s) and the infra-red burner at the back are NEVER switched on at the same time. This can lead to the lid of the barbecue warping or buckling.
- * The barbecue becomes extremely hot, never move it during or shortly after use.
- * Most of the Boretti barbecues have wheels which makes them easy to move. Take care when moving the barbecue across uneven terrain; otherwise the wheels may get damaged.
- * Do not use the roasting spit in the event of rain.

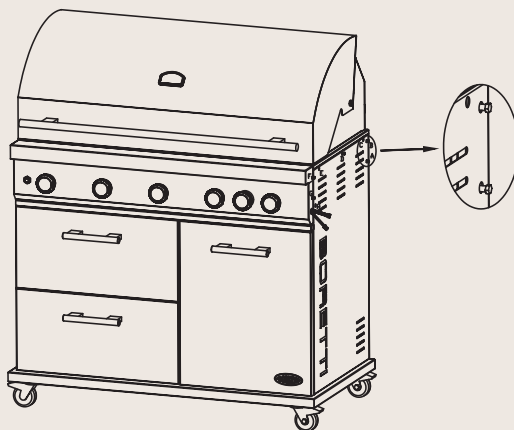
2. Parts list

1. Barbecue body	2. Lid support brackets (2x)	3. Rotisserie bracket	
			
4. Flame tamers (4x/5x)	5. Stainless steel grills (2x/3x)	6. Right burner table	
			
7. Left side table	8. Waste bag holder	9. Waste bag	
			
 (x4)	 (x4)	 (x2)	 (x2)

3. Assembly drawings

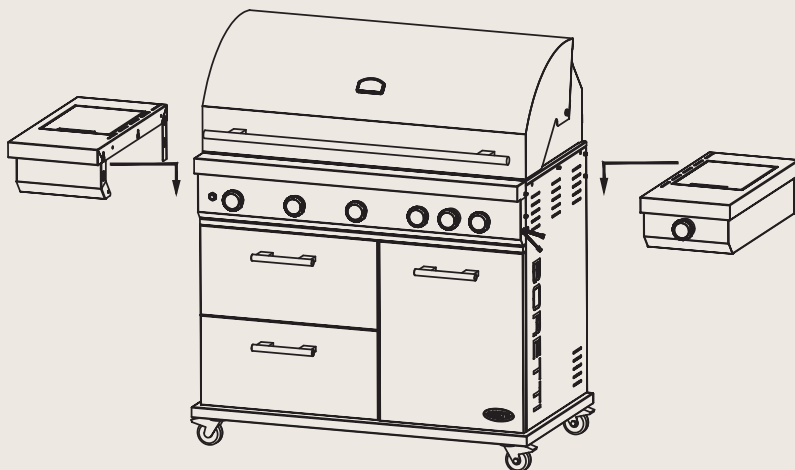
Step 1 – Mounting the burner tables

Unscrew the mounted screws on the barbecue to accommodate the side tables on both sides. Some of the screws can stay attached to the frame (partially unscrewed as indicated below).



Step 2 – Mounting the side tables

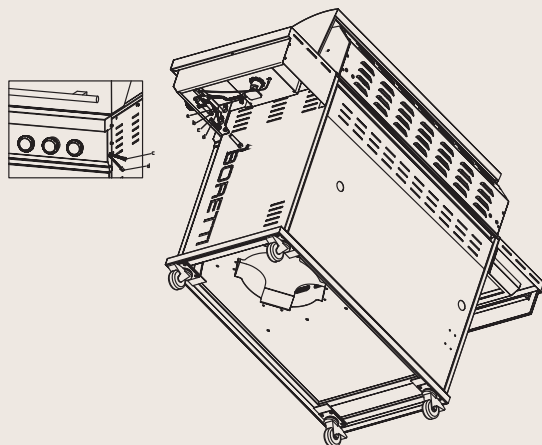
Attach the two side tables to the main barbecue assembly. Hang the table on the screws and make sure to correctly tighten all the screws of both side tables using a spanner. For the right side table it is important to pull gas hose and electric cable through the designated opening on the side table.



Step 3 – Connecting the side-burner gas hose and electric cable

After mounting both side tables please connect the side burner gas hose to the gas hose coming from the main barbecue assembly. Make sure the connection is correctly tightened with the spanner and perform gas leakage test as explained further onwards in this manual.

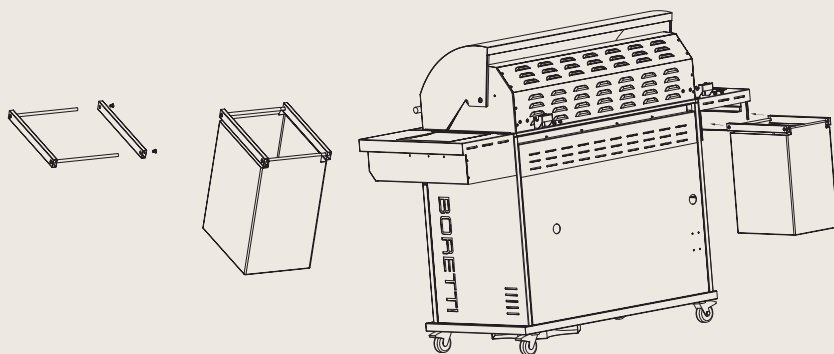
Besides the gas hose you will also need to connect the electric connection from the main barbecue assembly to the side burner by simply connecting the two plugs into each other.



Step 4 – Assemble and install the waste bag

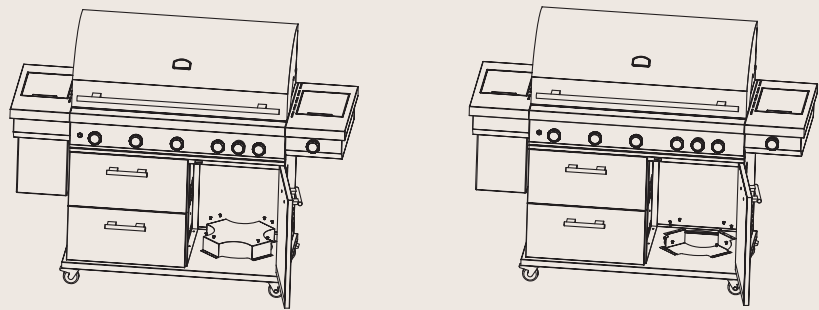
To install the waste bag into the waste bag holder first unscrew two of screws on the frame. Then slide in the waste bag through its openings and close the frame again with both screws.

Then simply slide the waste frame into the left side table as pictured below.



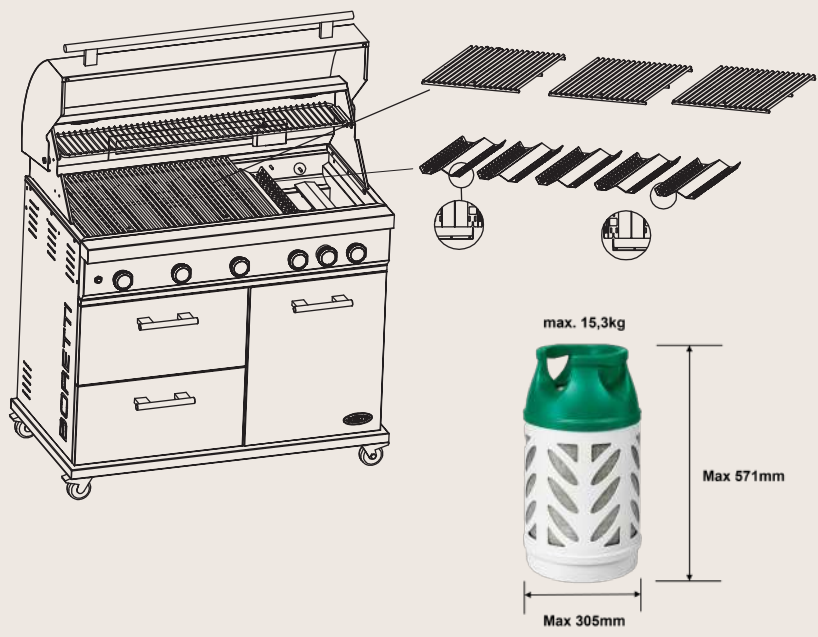
Step 5 – Flip the gas cylinder bracket into correct position

For safe transportation the gas cylinder bracket is assembled upwards. To accommodate the gas cylinder behind the right door please unscrew all 8 screws as indicated below. Then flip the bracket and tighten the 8 screws again. After this gas cylinder with maximum dimensions of 305mm (diameter) and 571mm (height) can be placed inside the cabinet. Make sure to follow all directions in this manual and check for gas leakage after installing the gas cylinder.



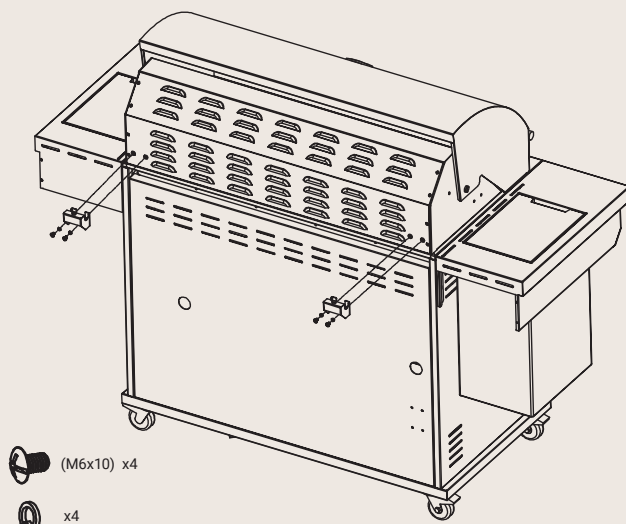
Step 6 – Mounting the grills and flame tamers

First install the flame tamers, make sure they align with the ridges on the barbecue body. Install the stainless steel grills after on the upper edge.



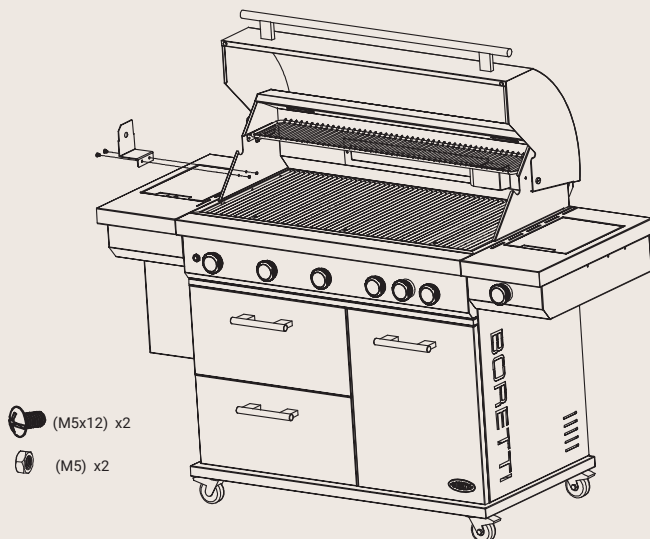
Step 7 – Mounting the lid support brackets

Install the two lid support brackets using four M6x10 screws on the back of the device.



Step 8 – Mounting the rotisserie bracket

Finally, install the rotisserie motor bracket using the remaining two M5x12 screws and M5 nuts. The rotisserie for the Imperatore is sold as a separate accessory.



4. Use of your barbecue

4.1 General information

Even though all gas connections on the barbecue are tested for leakages before transport, a complete test must be carried out at the assembly site. During transport or assembly, parts of the barbecue may have been moved. It is also possible that the gas pressure on the equipment is too high. Regularly inspect the entire system for leaks and check the system immediately in the event that you smell gas.

4.2 Gas leak test

Always carry out a gas leak test before use of the barbecue and when the barbecue has not been used for some time.

- * Extinguish any open fires (DO NOT SMOKE when testing for leaks).
- * Never carry out this gas leak test near open flames.
- * Make a soapy solution made up from equal parts of water and liquid soap or gentle washingup liquid
- * Follow the steps below:
 1. Turn the control knobs of the burners to off.
 2. Open the gas bottle.
 3. Apply the soapy solution to all connections of the gas supply. If no soap bubbles are formed, there is no gas leak. If soap bubbles start to form on a connection, this indicates a leak. In the event that you detect a leak, turn the gas supply off immediately, tighten the leaking connections firmly, open the gas bottle again and repeat steps 1 through to 3.
 4. Turn the gas supply off.
 5. Turn the control knobs of the burners on for 10 seconds to let the pressure escape from the hose and then turn the control knobs to off again.
 6. Remove the soapy solution from the connections of the equipment with cold water and rub dry with a cloth. Check all gas supply connections before every use and do the same when the gas bottle is being connected to the gas pressure regulator.

It is recommended that you check the gas hose for leaks every year, even if the gas bottle has never been disconnected from the equipment.

Note:

Ensure that you test all loose connections (including the side burner) and, if required, tighten them again when you are testing the equipment for leaks. Even a small leak in the system can result in a dangerous situation.

Note:

These days, most gas bottles are fitted with a mechanism that detects leaks inside the container. When the gas is being released too quickly, this mechanism cuts off the gas supply. A leak can severely restrict the gas supply which will make it difficult to light the barbecue.

Note:

If you are unable to close off a gas leak, then turn off the gas supply and contact your sales outlet. Even a small leak can cause a fire.

Note:

If, after several attempts, you are unable to light the barbecue, then contact your sales outlet.

Note:

Ensure that the control knobs are in the "OFF" position when you are not using the equipment.

4.3 Lighting the barbecue

- * Check the general conditions of the burners. If you are in doubt about the condition of the burners, then contact your sales outlet.
- * Ensure that the barbecue is placed on a level surface.
- * **This appliance must be kept away from flammable materials during use.**
Keep the cooking area clean and free from petrol and/or other flammable and/or inflammable substances, flammable gasses or flammable fumes.
- * Ensure that nothing is blocking the burners and ventilation.
- * Do not use aluminium foil in the enamel burner tray or around the flame distributors.
- * Ensure there is sufficient ventilation for the gas bottle.

Warning:

- * Do not light the barbecue if you can smell gas!
- * Check the gas hose for cracks or wear and tear (see: GAS LEAK TEST).
- * Keep your face and body as far away from the barbecue as possible when lighting it.

4.4 Lighting the burners with an electronic igniter

- * Ensure that all knobs are in the "OFF" position.
- * Always open the lid before you light the barbecue.
- * Open the gas supply.

Note:

When opening the gas bottle, turn the valve SLOWLY two (2) whole turns to get the right gas supply.

- * Press and turn one of the control knobs to the "HIGH" setting. You will hear a crackling noise. It may be necessary to keep the igniter depressed for about 10 seconds.

Note:

If the burner does not light after 10 seconds, turn the knob back to the "OFF" position and wait 1 minute before you try again.

- * Repeat the above steps also for the other burners.

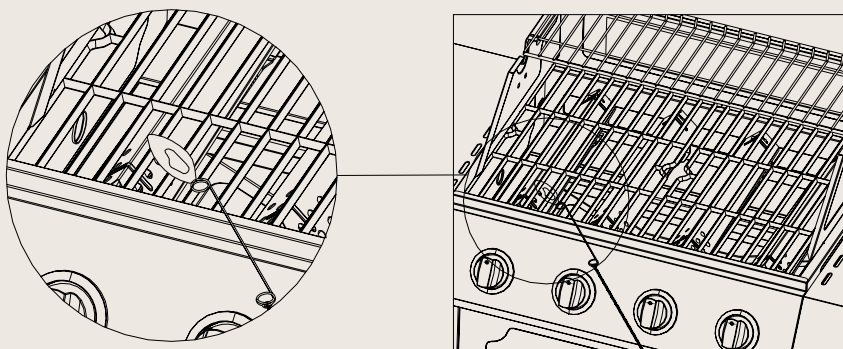
4.5 Lighting the burners with a match extender (if provided)

If the electronic igniter does not manage to light the burners, it is also possible to light the burners with the aid of a match.

- * Put the match in the extension piece, if the barbecue is supplied with a match extender.
- * Keep your face as far away as possible from the barbecue and point the extended match through the openings in the grille toward the burner.
- * Place the match close to the burner openings and turn the control knob to the "HIGH" position.

Note:

If, after several attempts, you are still not able to light the barbecue, please contact your sales outlet.



4.6 Lighting the side burner with the electronic igniter

- * Press and turn the control knob to the "HIGH" position. You will hear a crackling noise.
- * It may be necessary to keep the igniter depressed for about 10 seconds.
- * If the burner does not light after 10 seconds, turn the knob back to the "OFF" position and wait 1 minute before trying again.

4.7 Lighting the side burner with matches

If the electronic igniter does not manage to light the burner, it is also possible to light the burner with the aid of a match.

- * Put the match in the extension piece, if the barbecue is supplied with a match extender.
- * Keep your face as far away as possible from the barbecue and point the (extended) match at the burner openings.
- * Press and turn the control knob to the "HIGH" position.

Note:

If, after several attempts, you are still not able to light the barbecue, please contact your sales outlet.

4.8 Storage

- * After using your barbecue, close the gas supply and let the equipment cool down.
- * Remove the gas bottle.
- * Store the barbecue in a well-ventilated space and keep children away from the equipment.
- * Do not place any easily flammable materials under the barbecue.
- * If you are storing the barbecue outside, then use a cover to protect your barbecue from the elements. In the event of outside storage, remove the cover regularly to prevent excessive condensation from forming (which may lead to oxidation) on the metal components.
- * Let the barbecue cool down before placing the cover over it or trying to move the equipment.

4.9 Use

- * The barbecue becomes extremely hot, use heat resistant gloves when using the barbecue. Do not touch the barbecue without the correct protection.
- * Use suitable barbecue utensils to prepare food on the barbecue.

5. Maintenance of your barbecue

Important:

NEVER leave the barbecue outside without covering it. Rainwater could collect in the barbecue, the frame or the grease receptacle. If the grease receptacle has not been cleaned after use and the barbecue is uncovered, the tray can fill with water, which will cause water and grease to pour into the frame. We recommend that you clean the grease receptacle after every use.

Important:

Parts sealed by the manufacturer or his agent shall not be manipulated by the user; No modifications should be made to any part of this barbecue.

5.1 Cleaning

Do not use abrasive cleaning agents on the barbecue. These can scratch and damage the surface. Use lukewarm water in combination with a soft sponge or cloth to clean the metal parts of the barbecue body.

- * Warm the barbecue up by lighting the main burners on their highest setting and shutting the lid. **Do not turn on the infra-red burner(s)!**
- * Let the barbecue warm up for about 10 minutes to 250 degrees (Celsius).
- * Turn the burners off and let the machine cool down before you start cleaning.
- * Clean the racks and baking trays with a suitable cleaning brush (Available from the Boretti Web shop).
- * Remove the baking racks and the baking tray.
- * Brush charred (food) remains towards the grease receptacle.
- * Remove the grease receptacle and clean this with warm water and detergent.
- * Use warm water and detergent to clean the outside of the barbecue.
- * Dry the barbecue with a soft, clean cloth.

5.2 Grease receptacle

The grease receptacle must be cleaned regularly to avoid a build-up of dirt and remnants.

Note:

Ensure that the grease receptacle has cooled down before you clean it.

5.3 Grill racks

The grill racks can be cleaned immediately after cooking, once the barbecue has been switched off, with the use of an appropriate cleaning brush. Cleaning the grill racks by using water and a degreaser heightens the chance of oxidation/rust. You can counteract this by coating the grill racks with some olive oil after cleaning.

5.4 Stainless-steel

After the first time of use, parts of the barbecue may become discoloured by the intense heat that comes from the burners. This is normal.

Purchase a cleaning product for stainless steel and use this when brushing the metal down. It may be possible for grease spots to fall on the stainless-steel parts and get burnt on, which may cause some parts to look worn. Use a cleaning product that is not abrasive together with a cleaning product for stainless steel, to remove the grease.

5.5 Enamel parts

Some of the parts on the barbecue have an enamel coating. Enamel is a glass-based product and is very durable and resistant to wear. However, it is not resistant to shocks and knocks, which may cause hairline cracks. The hairline cracks can lead to small pieces of enamel breaking off, which leads to rust forming. The performance of your barbecue will not be affected by the broken off pieces or hairline cracks. No claims can be made regarding damages to the enamel in the cooking area after use.

5.6 Ventilation

The burners can only function properly if the heat they produce can escape as well. If this is not possible, then the burners may not get enough oxygen, which may cause backfiring, especially if the burners are set to "HIGH". If this happens regularly, it may cause the burners to develop cracks. For this reason, there are ventilation openings around the barbecue. These allow the hot air to escape. Always ensure that there is sufficient space around the cooking area (the racks will allow sufficient space). Never cover the ventilation openings with aluminium foil or other materials that can impede the airflow. NEVER allow the cooking surface to be completely covered, for instance by a large pan or by completely filling it with grill trays.

5.7 Replacing the gas hose

The gas hose should be replaced every two years. Rubber gas hoses can dry out which may result in gas leaks.

5.8 Burners

It is normal for rust (oxidation) to form around the burners. Food remnants must be removed regularly. This can be done by means of a barbecue cleaning brush. Burners must periodically be removed for inspection and cleaning, in particular after a period of non-use/storage. The burners must be checked for their general condition and to ensure that the openings are not blocked. The burners can be cleaned with the use of a brush. When removing the burners, make sure that you do not damage the gas valve and the ignition electrode.

An opening has been placed intentionally in the first part of the burner to ensure that enough oxygen can be supplied to form a flammable mixture. This means you will see a small opening, just where the gas valve connects to the burner. No gas will leak from this.

5.9 Spiders and insects

Spiders and insects can make their nest inside the burners of the barbecue, which may cause gas to flow from the front of the burner. This is a dangerous situation that can cause a fire behind the operation panel. This will damage the barbecue, which will then no longer be safe to use. Therefore, we recommend that you check the barbecue at least once a year for spiders, insects and nests (particularly after long storage periods). You can do this by dismantling the burner tubes and blowing through them or brushing them clean.

6. Environmental guide, Conditions of warranty & Contact info



If, for whatever reason, you want to dispose of your gas barbecue, please take the following guidelines into account:

- * Deliver the barbecue to the authorised local company for the collection of surplus household equipment. Contact your local council to find out where these collection points are located.
- * This barbecue features the mark that complies with the European guidelines 2002/96EG relating to disposal of equipment. This guideline decides the standard for the collection and recycling of disposed equipment which apply to the whole European Union territory.

For barbecue accessories, warranty, service conditions and other questions we refer you to

www.boretti.com

You can also send questions and suggestions to

info@boretti.com

Boretti BV

Abberdaan 114

1046 AA Amsterdam

Appliance name: Gas barbecue
 Model number: Imperatore Nero 4B
 Category: I3+, I3B/P(30)
 Q.: 25,7 kW (1870 g/h)
 Injector size Main burners: 1,03mm (4,6kW*4)
 IR back burner: 1,02mm (4,0kW) Side burner: 0,9mm (3,3kW)



Country	Category	Gas type	Pressure (mbar)	WARNING
BE	I3+	But	28-30	
	I3+	Propan	37	Il faudra utiliser un détendeur approprié.
BG	I3B/P(30)	бутан	29	
	I3B/P(30)	пропан	29	
CY	I3+	βουτάνιο	28-30	
	I3+	προπάνιο	37	Απαιτείται άλλος ρυθμιστής πίεσης αερίου.
	I3B/P(30)	βουτάνιο	29	
	I3B/P(30)	προπάνιο	29	
CZ	I3+	Butan	28-30	
	I3+	Propan	37	Vyžaduje se jiný regulátor tlaku plynu.
	I3B/P(30)	Butan	29	
DK	I3B/P(30)	Propan	29	
	I3B/P(30)	Butan	29	
EE	I3B/P(30)	Butaani	29	
	I3B/P(30)	Propani	29	
ES	I3+	Butano	28-30	
	I3+	Propano	37	Se necesita otro regulador de presión de gas.
FI	I3B/P(30)	Butaani	29	
	I3B/P(30)	Propani	29	
FR	I3+	Butane	28-30	
	I3+	Propane	37	Il faudra utiliser un détendeur approprié.
GB	I3+	Butane	28-30	
	I3+	Propane	37	Other gas pressure regulator required.
GR	I3+	βουτάνιο	28-30	
	I3+	προπάνιο	37	Απαιτείται άλλος ρυθμιστής πίεσης αερίου.
HR	I3B/P(30)	Butan	29	
	I3B/P(30)	Propan	29	
HU	I3B/P(30)	Butángáz	29	
	I3B/P(30)	Propán	29	
IE	I3+	Butane	28-30	
	I3+	Propane	37	Other gas pressure regulator required.
IS	I3B/P(30)	Bútán	29	
	I3B/P(30)	Própan	29	
IT	I3+	Butano	28-30	
	I3+	Propano	37	È necessario un altro regolatore della pressione del gas.
	I3B/P(30)	Butano	29	
LT	I3B/P(30)	Propano	29	
	I3+	Butanas	28-30	
	I3+	Propano	37	Būtinas kitas dujų slėgio reguliatorius.
LV	I3B/P(30)	Butāns	29	
	I3+	Propāns	37	
	I3B/P(30)	Propāns	29	
MT	I3B/P(30)	Butan	29	
	I3B/P(30)	Propan	29	
NL	I3B/P(30)	Butaan	29	
	I3B/P(30)	Propan	29	
NO	I3B/P(30)	Butan	29	
	I3B/P(30)	Propan	29	
PT	I3+	Butano	28-30	
	I3+	Propano	37	Outro regulador de pressão de gás necessário.
RO	I3B/P(30)	Butan	29	
	I3B/P(30)	Propan	29	
SE	I3B/P(30)	Butan	29	
	I3B/P(30)	Propan	29	
SI	I3+	Butan	28-30	
	I3+	Propan	37	Zahtevan je drug regulator za tlak plina.
	I3B/P(30)	Butan	29	
TR	I3B/P(30)	Propan	29	
	I3B/P(30)	Butan	29	

Appliance name: Gas barbecue

Model number: Imperatore Nero 5B

Category: I3+, I3B/P(30)

Q.: 30,3 kW (2204 g/h)

Injector size Main burners: 1,03mm (4,6kW*5)

IR back burner: 1,02mm (4,0kW) Side burner: 0,9mm (3,3kW)



Country	Category	Gas type	Pressure (mbar)	WARNING
BE	I3+	But	28-30	
	I3+	Propan	37	Il faudra utiliser un détendeur approprié.
BG	I3B/P(30)	бѳтан	29	
	I3B/P(30)	пропан	29	
CY	I3+	βουτάνιο	28-30	
	I3+	προπάνιο	37	Απαιτείται άλλος ρυθμιστής πίεσης αερίου.
	I3B/P(30)	βουτάνιο	29	
	I3B/P(30)	προπάνιο	29	
CZ	I3+	Butan	28-30	
	I3+	Propan	37	Vyžaduje se jiný regulátor tlaku plynu.
	I3B/P(30)	Butan	29	
	I3B/P(30)	Propan	29	
DK	I3B/P(30)	Butan	29	
	I3B/P(30)	Propan	29	
EE	I3B/P(30)	Butaani	29	
	I3B/P(30)	Propaani	29	
ES	I3+	Butano	28-30	
	I3+	Propano	37	Se necesita otro regulador de presión de gas.
FI	I3B/P(30)	Butaani	29	
	I3B/P(30)	Propaani	29	
FR	I3+	Butane	28-30	
	I3+	Propane	37	Il faudra utiliser un détendeur approprié.
GB	I3+	Butane	28-30	
	I3+	Propane	37	Other gas pressure regulator required.
GR	I3+	βουτάνιο	28-30	
	I3+	προπάνιο	37	Απαιτείται άλλος ρυθμιστής πίεσης αερίου.
HR	I3B/P(30)	Butan	29	
	I3B/P(30)	Propan	29	
HU	I3B/P(30)	Butángáz	29	
	I3B/P(30)	Propán	29	
IE	I3+	Butane	28-30	
	I3+	Propane	37	Other gas pressure regulator required.
IS	I3B/P(30)	Bútan	29	
	I3B/P(30)	Própan	29	
IT	I3+	Butano	28-30	
	I3+	Propano	37	È necessario un altro regolatore della pressione del gas.
	I3B/P(30)	Butano	29	
	I3B/P(30)	Propano	29	
LT	I3+	Butanas	28-30	
	I3+	Propano	37	Būtinias kitas dujų siėgio reguliatorius.
	I3B/P(30)	Butanas	29	
LV	I3B/P(30)	Propano	29	
	I3+	Butāns	28-30	
	I3+	Propāns	37	
MT	I3B/P(30)	Butan	29	
	I3B/P(30)	Propan	29	
NL	I3B/P(30)	Butaan	29	
	I3B/P(30)	Propaan	29	
NO	I3B/P(30)	Butan	29	
	I3B/P(30)	Propan	29	
PT	I3+	Butano	28-30	
	I3+	Propano	37	Outro regulador de pressão de gás necessário.
RO	I3B/P(30)	Butan	29	
	I3B/P(30)	Propan	29	
SE	I3B/P(30)	Butan	29	
	I3B/P(30)	Propan	29	
SI	I3+	Butan	28-30	
	I3+	Propan	37	Zahtevan je drug regulator za tlak plina.
	I3B/P(30)	Butan	29	
TR	I3B/P(30)	Propan	29	
	I3B/P(30)	Butan	29	

Boretti BV

Abberdaan 114 | 1046 AA Amsterdam | The Netherlands

www.boretti.com

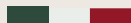
0063/22

PIN: 0063DN-7445

Made in PRC



Passione in Cucina



IMPERATORE 4B IMPERATORE 5B

NL | GEBRUIKSAANWIJZING

www.boretti.com

Voorwoord

Gefeliciteerd met de aankoop van uw nieuwe barbecue. Wij zijn ervan overtuigd dat u, met uw passie voor barbecueën en het buitenleven, een alledaagse zomeravond omtovert in een prachtige *buona sera* en uw tuin in een *giardino*.

Squadra Boretti

Lees en bewaar deze handleiding zorgvuldig!

Deze handleiding bevat specifieke instructies voor uw veiligheid, voor het monteren, de bediening en het onderhoud van uw barbecue. Gebruik de barbecue uitsluitend zoals aangegeven in deze handleiding. Gezond verstand en voorzichtigheid bij het gebruik zijn een absolute *must!*

Inhoudsopgave

* 1. Algemene Veiligheidsvoorschriften	28
* 2. Onderdelenlijst	31
* 3. Montagetekeningen	32
* 4. Gebruik van uw barbecue	36
* 5. Onderhoud van uw barbecue	41
* 6. Milieuriichtlijn, Garantievoorwaarden & Contactinfo	44

Belangrijke veiligheidsinformatie

Alleen buitenshuis gebruiken!

Lees de gebruiksaanwijzingen voordat u het apparaat gaat gebruiken!

WAARSCHUWING: toegankelijke delen kunnen zeer heet zijn. Houd kleine kinderen op afstand!

Verplaats het apparaat niet tijdens gebruik!

Draai de gastoevoer dicht op de gascilinder na gebruik!

1. Algemene Veiligheidsvoorschriften

- * Lees voor gebruik éérst alle in deze handleiding opgenomen informatie goed door.
- * Laat kinderen en huisdieren nooit in de buurt van deze barbecue.
- * Deze barbecue mag nooit gebruikt worden door kinderen, mensen met een verstandelijke beperking of mensen die onder invloed zijn van geestverruimende middelen en/of medicatie.
- * Houd altijd zoveel mogelijk afstand tijdens het aansteken en het gebruik van deze barbecue.
- * De meegeleverde gasdrukregelaar moet gebruikt worden. Als de gasdrukregelaar vervangen wordt, dan moet deze voldoen aan de EN 16129 norm. De gasdrukregelaar moet qua gasdruk overeenkomen met de gasdruk die vermeld staat op het typeplaatje.
- * Let op dat de gas slang niet knikt tijdens montage (van de gasdrukregelaar).
- * Zorg ervoor dat de gaskraan van de gasfles bereikbaar is, zodat u de gastoevoer naar de barbecue kunt afsluiten.
- * Verwissel de gasfles op een plek waar zich geen ontstekingsbronnen bevinden.
- * De gasfles kan onder de barbecue geplaatst worden. Dit is niet van toepassing bij een tafemodel barbecue.
- * Doof alle vlammen en **ROOK NIET** tijdens het opendraaien van de gaskraan en het aansteken van de barbecue.
- * Deze barbecue wordt erg heet, uiterste zorgvuldigheid en oplettendheid is geboden bij het gebruik ervan.
- * Als u gas ruikt, ga dan vóór gebruik na of alle gasaansluitingen goed vast zitten. Als de gaslucht nog steeds niet weg is, draai dan de gaskraan dicht en neem direct contact op met uw verkooppunt.
- * Houd brandbare en/of ontvlambare stoffen, gassen, vloeistoffen en materialen altijd uit de buurt van de barbecue en laat deze nooit in direct contact komen met de barbecue.

- * Het nalaten en/of het niet correct opvolgen van de in deze handleiding opgenomen instructies, voorzorgsmaatregelen, veiligheidsvoorschriften en waarschuwingen kan leiden tot brand of ontploffing, tot materiële schade en kan uiteindelijk zelfs ernstig lichamelijk letsel of overlijden tot gevolg hebben.
- * De barbecue is voor huishoudelijk gebruik en uitsluitend bedoeld voor het bereiden van eten.
- * Volg de technische informatie in de gebruiksaanwijzing en ga bij uw plaatselijke gasleverancier langs voor een geschikte gascilinder.
- * Probeer de flexibele slang niet te draaien wanneer het apparaat in gebruik is. De flexibele slang mag niet langer zijn dan 1,5 m. In Finland mag de slang niet langer zijn dan 1,2 m. De slang moet gekeurd zijn op basis van de geldende Europese norm (EN) en voldoen aan plaatselijke voorschriften.

1.1 Montage

- * Zet de barbecue in elkaar zoals aangegeven op de montagetekening in deze handleiding.
- * Verkeerd in elkaar zetten van de barbecue of het niet volgen van de juiste montagevolgorde, zoals aangegeven op de tekening, kan zeer ernstige situaties tot gevolg hebben.
- * Wees altijd voorzichtig en zorgvuldig bij het in elkaar zetten van de barbecue.
- * Alle onderdelen moeten gemonteerd worden zoals aangegeven op de montagetekening. Als er een onderdeel ontbreekt en/of u twijfelt aan de juistheid van de montage, neem dan onmiddellijk contact op met de winkel waar u de barbecue heeft gekocht.
- * Ga nooit zelf onderdelen van deze barbecue repareren of vervangen, tenzij het uitdrukkelijk beschreven wordt in deze handleiding.
- * Sluit nooit een beschadigde gas slang aan op de barbecue. Dit zou brand kunnen veroorzaken.
- * Als de barbecue met een stekker is uitgerust, dan zal dit een gearde stekker zijn die u beschermt tegen elektrische schokken. Steek deze stekker in een geschikt gearde stopcontact.
- * Verwijder NOOIT de metalen plaatjes van de stekker.
- * Breng GEEN aanpassingen aan op het apparaat.

1.2 Plaats van gebruik

- * Gebruik de barbecue uitsluitend buitenshuis (buiten) en in een goed geventileerde omgeving. Gebruik de barbecue nooit binnenshuis of in welke (deels) afgesloten ruimte dan ook. Giftige dampen kunnen zich ophopen en kunnen zeer ernstig lichamelijk letsel veroorzaken of hebben de dood tot gevolg.
- * Gebruik de barbecue nooit op een brandbare en/of ontvlambare ondergrond.
- * Gebruik de barbecue alleen op een harde, rechte en stabiele ondergrond die het gewicht kan dragen.
- * Houd minimaal 3 meter afstand tussen de barbecue en alle brandbare en/of ontvlambare materialen (hout, plastic, beplanting e.a.), als de barbecue in gebruik is.
- * Houd de barbecue altijd uit de buurt van benzine en/of andere brandbare of ontvlambare vloeistoffen, brandbare gassen, brandbare dampen of gebieden waar het vermoeden bestaat dat deze aanwezig zijn.
- * Gebruik de barbecue nooit bij harde wind.
- * Zorg dat de hoofdbrander(s) en de infraroodbrander aan de achterkant NOOIT tegelijk aan staan. Dit kan leiden tot kromtrekken van de deksel van de barbecue.
- * De barbecue wordt erg heet, verplaats deze nooit tijdens of kort na gebruik.
- * De meeste Boretti barbecues hebben wielen waardoor ze eenvoudig te verplaatsen zijn. Verplaats de barbecue rustig over een ongelijk terrein. Bij onzorgvuldig verplaatsen kunnen de wielen beschadigen.
- * Gebruik geen draaispit bij regen.

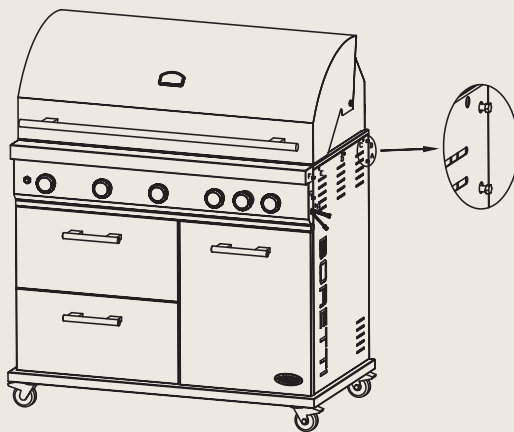
2. Onderdelenlijst

1. Barbecueframe	2. Dekselsteunbeugels (2 x)	3. Draaispitbeugel	
			
4. Vlamverdelers (4 x/5 x)	5. Roestvrijstalen roosters (2 x/3 x)	6. Rechterbrandertafel	
			
7. Linkerzijtafel	8. Afvalzakhouder	9. Afvalzak	
			
 (x4)	 (x4)	 (x2)	 (x2)

3. Montagetekeningen

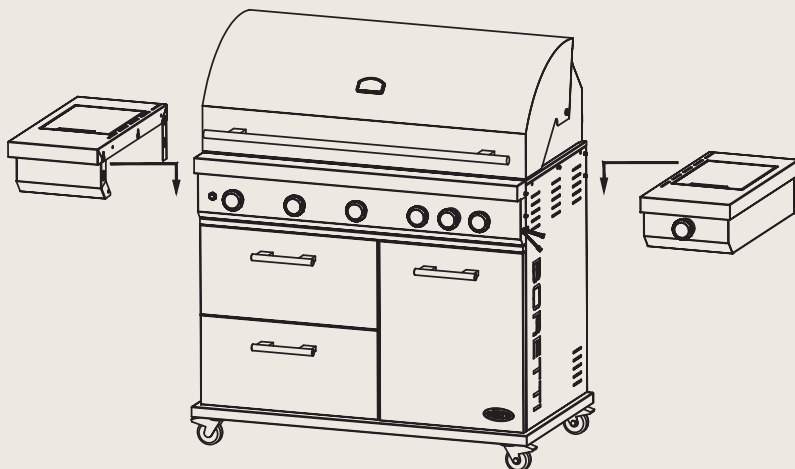
Stap 1 – De brandertafels bevestigen

Draai de gemonteerde schroeven op de barbecue los om aan beide zijden de zijtafels te kunnen bevestigen. Sommige van de schroeven kunnen aan het frame blijven zitten (gedeeltelijk losgeschroefd, zoals hieronder aangegeven).



Stap 2 – De zijtafels bevestigen

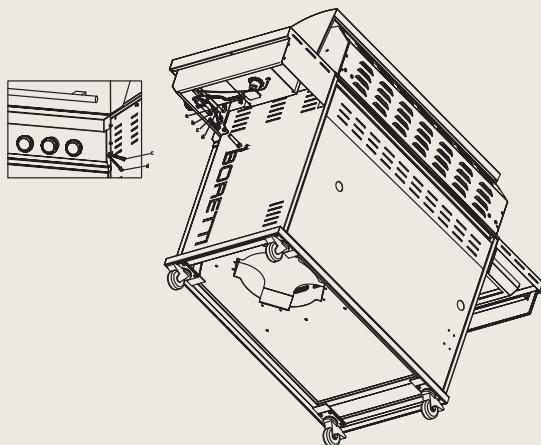
Bevestig de twee zijtafels aan het frame van de barbecue. Hang de tafel aan de schroeven en zorg ervoor dat alle schroeven van beide zijtafels op de juiste manier worden vastgedraaid met een moersleutel. Voor de rechterzijtafel is het belangrijk om de gaslang en de elektriciteitskabel door de aangewezen opening van de zijtafel te trekken.



Stap 3 – De gasslang en de elektriciteitskabel van de zijbrander aansluiten

Nadat u beide zijtafels heeft bevestigd, sluit u de gasslang van de zijbrander aan op de gasslang die uit het hoofdframe van de barbecue komt. Zorg ervoor dat de aansluiting goed is vastgedraaid met de moersleutel en voer een gaslektest uit zoals verderop in deze handleiding wordt uitgelegd.

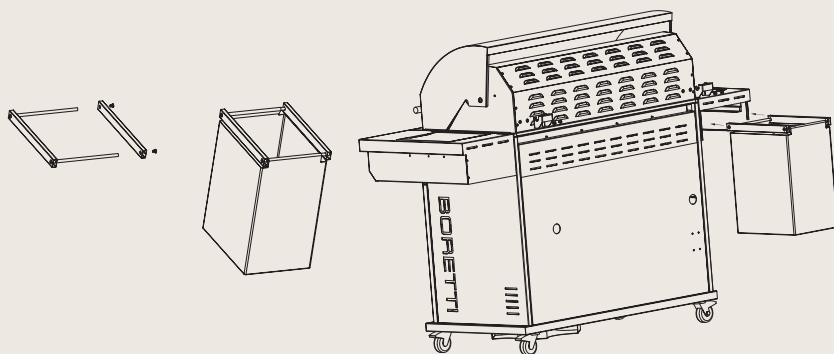
Naast de gasslang zult u ook de elektrische aansluiting van het hoofdframe van de barbecue op de zijbrander moeten aansluiten door simpelweg de twee stekkers met elkaar te verbinden.



Stap 4 – Monteren en installeren van de afvalzak

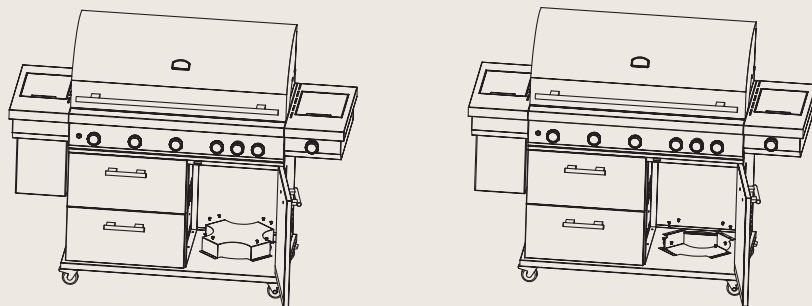
Om de afvalzak in de afvalzakhouder te plaatsen, draait u eerst twee schroeven op het frame los. Schuif de afvalzak vervolgens door de openingen en sluit het frame weer met beide schroeven.

Schuif daarna het afvalframe in de linkerzijtafel zoals hieronder wordt afgebeeld.



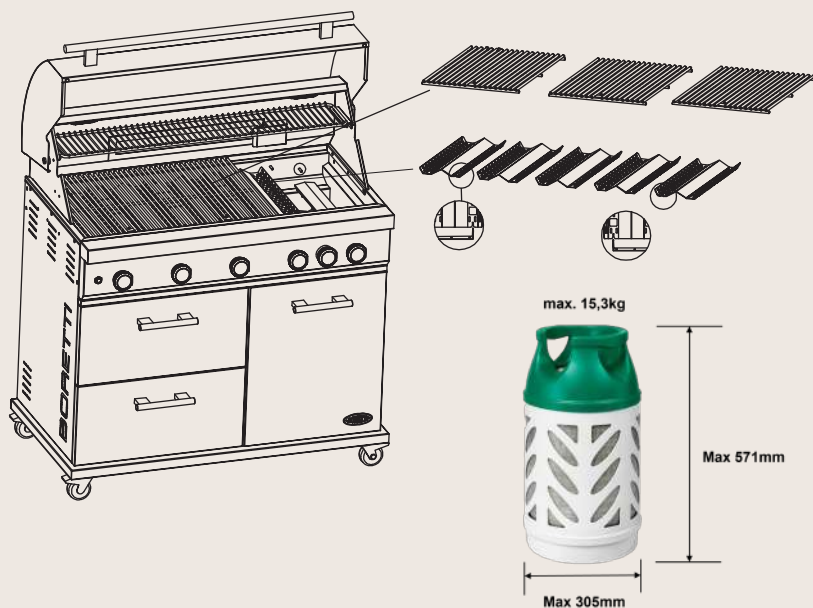
Stap 5 – Draai de beugel van de gasfles in de juiste positie

Voor veilig transport wordt de beugel van de gasfles naar boven gemonteerd. Om de gasfles achter de rechter deur te plaatsen, draait u alle 8 de schroeven los, zoals hieronder wordt aangegeven. Draai vervolgens de beugel om en draai de 8 schroeven weer vast. Hierna kan de gasfles, met maximale afmetingen van 305 mm (diameter) en 571 mm (hoogte), in de kast worden geplaatst. Zorg ervoor dat u alle aanwijzingen in deze handleiding volgt en controleer op gaslekkage na het plaatsen van de gasfles.



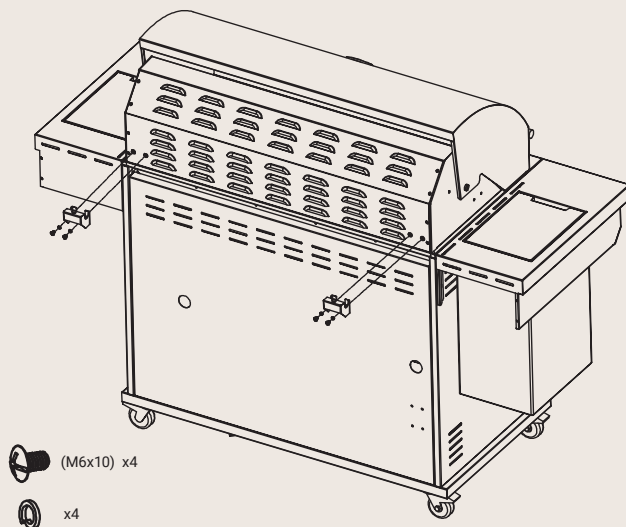
Stap 6 – Het monteren van de roosters en de vlamverdelers

Installeer eerst de vlamverdelers, en zorg ervoor dat ze overeenkomen met de ribben op het barbecueframe. Installeer hierna de roestvrijstalen roosters aan de bovenrand.



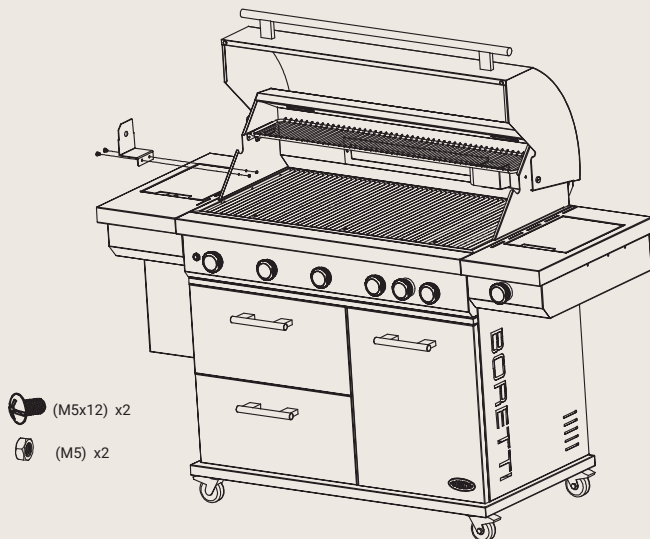
Stap 7 – De steunbeugels van het deksel monteren

Installeer de twee steunbeugels van het deksel met gebruik van vier M6x10-schroeven aan de achterkant van het apparaat.



Stap 8 – De beugel van het draaispit bevestigen

Installeer ten slotte de beugel van de draaispitmotor met behulp van de resterende twee M5x12-schroeven en M5-moeren. Het draaispit voor de Imperatore wordt verkocht als losse accessoire.



4. Gebruik van uw barbecue

4.1 Algemene informatie

Hoewel alle gasaansluitingen op de barbecue vóór transport getest worden op lekkages, moet er op de plek van montage een volledige test uitgevoerd worden. Er kunnen tijdens het transport of de montage van de barbecue onderdelen zijn verschoven. Er kan ook een te hoge gasdruk op de barbecue staan. Controleer regelmatig het hele systeem op lekkages en controleer het systeem onmiddellijk als u gas ruikt. Sluit bij twijfel de gastoevoer af.

4.2 Gaslektest

Voer altijd een gaslektest uit voorafgaand aan het gebruik van de barbecue en na een langere periode dat deze niet wordt gebruikt.

- * Doof elk open vuur (NIET ROKEN tijdens het testen op lekkages).
- * Voer deze gaslektest nooit uit in de buurt van open vuur.
- * Maak een zeepoplossing die bestaat uit gelijke delen water en vloeibare zeep of een mild afwasmiddel.
- * Doorloop onderstaande stappen:
 1. Zet de bedieningsknoppen van de branders uit.
 2. Open de gasfles.
 3. Breng de zeepoplossing aan op alle aansluitingen op de gastoevoer. Als er geen zeepbellen ontstaan is er geen gaslek. Als er op een aansluiting zeepbellen vormen, zit daar een lek. Als u een lek heeft ontdekt sluit u onmiddellijk de gastoevoer af, draait u alle lekkende aansluitingen goed aan, draai de gasfles weer open, en herhaalt u stap 1 tot en met 3.
 4. Sluit de gastoevoer af.
 5. Zet de bedieningsknoppen van de branders 10 seconden aan om de druk in de slang te laten ontsnappen en zet vervolgens de bedieningsknoppen weer uit.
 6. Verwijder de zeepoplossing met koud water van de aansluiting van het apparaat en wrijf het droog met een doek. Controleer voor ieder gebruik (en na het vervangen van de gasfles) alle gasaansluitingen.

Het wordt aanbevolen de gasslang elk jaar op lekkages te testen, zelfs als de gasfles nooit van de barbecue is losgekoppeld.

Let op:

Zorg dat u alle losse aansluitingen (inclusief de zijbrander) test en, indien nodig, weer aandraait wanneer u het apparaat op lekkages test. Zelfs een klein lek in het systeem kan een gevaarlijke situatie tot gevolg hebben.

Let op:

Tegenwoordig zijn de meeste gasflessen voorzien van een mechanisme voor het ontdekken van lekken binnenin de tank. Als het gas te snel ontsnapt sluit dit mechanisme de gastoevoer af. Een lek kan de gastoevoer aanzienlijk beperken waardoor het aansteken van de barbecue lastig wordt.

Let op:

Als u een gaslek niet kunt dichten, sluit dan de gastoevoer af en neem contact op met uw verkooppunt. Zelfs een klein lek kan brand veroorzaken.

Let op:

Als het na een aantal pogingen niet lukt de barbecue aan te steken, neem contact op met uw verkooppunt.

Let op:

Zet de bedieningsknoppen in de "UIT"-stand wanneer u de barbecue niet gebruikt.

4.3 De barbecue aansteken

- * Controleer de branders op hun algehele conditie. Indien u aan de conditie van de branders twijfelt, neem contact op met uw verkooppunt.
- * Zorg ervoor dat de barbecue op een vlakke ondergrond staat.
- * **Zorg dat er tijdens gebruik geen brandbaar materiaal in de buurt van het apparaat is.** Houd de kookzone schoon en vrij van benzine en/of andere brandbare en/of ontvlambare stoffen, brandbare gassen of ontvlambare dampen.
- * Zorg ervoor dat er geen voorwerpen de verbranding en ventilatie blokkeren.
- * Gebruik geen aluminiumfolie in de geëmailleerde branderbak of rondom de vlamverdelers.

- * Zorg voor voldoende ventilatie van de gasfles.

Waarschuwing:

- * Steek de barbecue niet aan als u gas ruikt!
- * Controleer de gas slang op scheurtjes of slijtage (zie: GASLEKTEST).
- * Houd uw gezicht en lichaam zo ver mogelijk bij de barbecue vandaan tijdens het aansteken.

4.4 De branders aansteken met een elektronische ontsteker

- * Zorg dat alle knoppen in de "UIT"-stand staan.
- * Open altijd de deksel voor u de barbecue aansteekt.
- * Open de gastoevoer.

Let op:

draai bij het openen van de gasfles het ventiel LANGZAAM twee (2) hele slagen voor de juiste gastoevoer.

- * Druk en draai één van de bedieningsknoppen in naar de "HOOG"-stand. U zult een knetterend geluid horen. Het kan soms nodig zijn om de ontsteker ongeveer 10 seconden ingedrukt te houden.

Let op:

als de brander na 10 seconden nog niet aangaat, draai dan de knop weer naar de "UIT"-stand en wacht 1 minuut voordat u het nogmaals probeert.

- * Herhaal de bovenstaande stappen ook voor de andere branders.

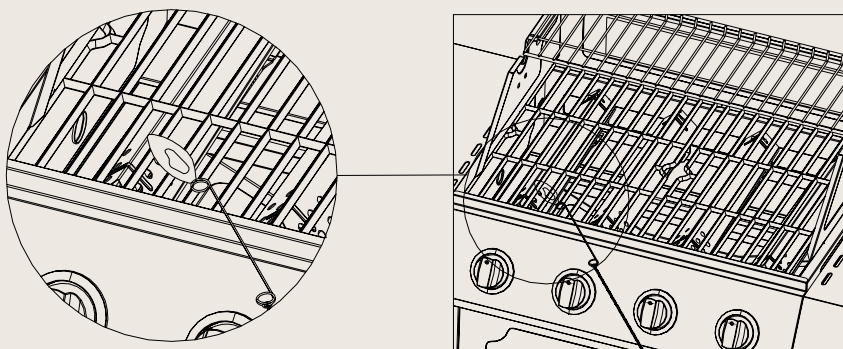
4.5 De branders aansteken met een luciferverlenger (indien aanwezig)

De brander kan ook worden ontstoken met behulp van een lucifer.

- * Steek de lucifer in het verlengstuk, indien de barbecue is voorzien van een luciferverlenger.
- * Houd uw gezicht zo ver mogelijk van de barbecue vandaan en beweeg de luciferverlenger door de openingen in de roosters naar de brander.
- * Plaats de luciferverlenger in de buurt van de brander openingen en druk en draai de bedieningsknop naar de "HOOG"-stand.

Let op:

Als het na een aantal pogingen niet lukt de barbecue aan te steken, neem contact op met uw verkooppunt.



4.6 De zijbrander aansteken met de elektronische ontsteker

- * Druk en draai de bedieningsknop naar de "HOOG"-stand. U zult een knetterend geluid horen.
- * Het kan soms nodig zijn om de ontsteker ongeveer 10 seconden ingedrukt te houden.
- * Als de brander na 10 seconden nog niet aangaat, draai dan de knop weer naar de "UIT"-stand en wacht 1 minuut voordat u het nogmaals probeert.

4.7 De zijbrander aansteken met lucifers

Als de elektronische ontsteker de brander niet aankrijgt, kan de brander ook ontstoken worden met behulp van een lucifer.

- * Steek de lucifer in het verlengstuk, indien de barbecue is voorzien van een luciferverlenger.
- * Houd uw gezicht zo ver mogelijk van de barbecue vandaan en houd de (verlengde) lucifer bij de brander openingen.
- * Druk en draai dan de bedieningsknop naar de "HOOG"-stand.

N.B.:

Als het na een aantal pogingen niet lukt de barbecue aan te steken, neem contact op met uw verkooppunt.

4.8 Opslag

- * Sluit, na het gebruik van uw barbecue, de gastoevoer en laat de barbecue afkoelen.
- * Verwijder de gasfles.
- * Sla de barbecue op in een goed geventileerde omgeving en houd kinderen uit de buurt van het toestel.
- * Verwijder de gasfles.
- * Sla de barbecue op in een goed geventileerde omgeving en houd kinderen uit de buurt van het toestel.
- * Zet geen licht ontvlambare producten onder de barbecue.
- * Als u de barbecue buiten laat staan, gebruik dan een hoes om uw barbecue tegen weersinvloeden te beschermen. U dient de hoes, bij opslag buiten, met regelmaat te verwijderen om overmatige condensvorming (met oxidatie tot gevolg) van metalen delen te voorkomen.
- * Laat de barbecue afkoelen alvorens u de hoes plaatst of de barbecue verplaatst.

4.9 Gebruik

- * De barbecue wordt erg heet, gebruik hittebestendige handschoenen wanneer u de barbecue gebruikt. Raak de barbecue niet aan zonder de juiste bescherming.
- * Gebruik geschikte barbecue hulpmiddelen om voedsel op de barbecue te bereiden.

5. Onderhoud van uw barbecue

Belangrijk:

Laat de barbecue NOOIT onafgedekt buiten staan. Water kan zich anders in de barbecue, het onderstel of de vetopvangbak gaan verzamelen. Als de vetopvangbak niet is schoongemaakt na gebruik en de barbecue niet is afgedekt, dan zal de schaal vollopen met water, waardoor water en vet het onderstel in stromen. Wij raden u aan de vetopvangbak na elk gebruik schoon te maken.

Belangrijk:

Onderdelen die door de fabrikant of diens vertegenwoordiger zijn verzegeld mogen niet door de gebruiker gemanipuleerd worden. Geen enkel onderdeel van deze barbecue mag gemodificeerd worden.

5.1 Reiniging

Gebruik geen schurende reinigingsproducten op de barbecue. Deze kunnen krassen en beschadigingen veroorzaken op het oppervlak. Gebruik lauwwarm water in combinatie met een zachte spons of doek om de metalen onderdelen van de barbecuebody te reinigen.

- * Verwarm de barbecue door het aanzetten van de hoofdbranders op de hoogste stand en doe de deksel dicht. **Zet de infraroodbrander(s) niet aan!**
- * Stook de barbecue gedurende 10 minuten heet tot 250 graden.
- * Zet de branders uit en laat de barbecue afkoelen voordat u gaat schoonmaken.
- * Maak de roosters en bakplaat schoon met een daarvoor geschikte schoonmaakborstel (Verkrijgbaar via de Boretti Webshop).
- * Verwijder de bakroosters en bakplaat.
- * Veeg verkoolde (etens)resten weg richting de vetopvangbak.
- * Verwijder de vetopvangbak en reinig deze met warm water en zeepsop.
- * Gebruik warm water en zeepsop om de buitenzijde van de barbecue te reinigen.
- * Maak de barbecue droog met een zachte, schone doek.

5.2 Vetopvangbak

De vetopvangbak moet regelmatig schoongemaakt worden om de ophoping van vuil en resten te voorkomen.

N.B.:

Zorg dat de vetopvangbak is afgekoeld voordat u hem schoonmaakt.

5.3 Grillroosters

De grillroosters kunnen meteen na het bakken, wanneer de barbecue uitgezet is, schoongemaakt worden door middel van een daarvoor geschikte schoonmaakborstel. Het schoonmaken van de grillroosters met een ontvettingsmiddel en water vergroot de kans op oxidatie/roest. Dit kunt u tegengaan door de grillroosters na het schoonmaken in te vetten met olijfolie.

5.4 Roestvrij staal

Na het eerste gebruik kunnen delen van de barbecue verkleuren door de intense hitte die de branders veroorzaken. Dit is normaal.

Gebruik een schoonmaakmiddel voor roestvrijstaal en wrijf dit met de borsteling van het metaal mee. Het kan zijn dat vetspetters op de roestvrijstalen gedeeltes terecht komen en aanbakken, zodat sommige delen er versleten uit gaan zien. Gebruik een schoonmaakmiddel dat niet schuurt samen met een schoonmaakmiddel voor roestvrijstaal om het vet te verwijderen.

5.5 Emaille onderdelen

Sommige onderdelen van de barbecue hebben een emaille coating. Emaille is een product op glasbasis en is erg duurzaam en slijtvast. Het is echter slecht bestand tegen schokken en stoten, hierdoor kunnen haarscheurtjes ontstaan. Deze haarscheurtjes kunnen leiden tot het afbreken van kleine stukjes emaille in de vorm van scherven met roestvorming tot gevolg. De prestaties van uw barbecue zullen echter niet leiden onder de afgebroken scherfjes en haarscheurtjes. Er kan geen aanspraak worden gemaakt op de garantie voor emaille beschadigingen in het kookgedeelte na gebruik.

5.6 Ventilatie

De branders kunnen alleen goed werken als de hitte die ze aanmaken, ook kan ontsnappen. Kan dit niet, dan krijgen de branders mogelijk niet genoeg zuurstof. Dit kan een naontsteking tot gevolg hebben, vooral als de branders in de "HOOG"-stand staan. Als dit keer op keer gebeurt, kunnen er in de branders barsten ontstaan.

Om deze reden zitten er ventilatie openingen rondom de barbecue. Hierdoor kan hete lucht ontsnappen. Zorg ervoor dat er altijd voldoende ruimte rondom het bakoppervlak open wordt gehouden (de roosters zorgen voor voldoende ruimte). Bedek de ventilatie openingen nooit met folie of andere materialen die de luchtstroom belemmeren. Let erop dat het kookoppervlak NOOIT helemaal bedekt is, bijvoorbeeld door een grote pan of met uitsluitend grillplaten.

5.7 Vervangen van de gasslang

De gasslang dient iedere twee jaar vervangen te worden. Rubberen gasslangen kunnen uitdrogen en hierdoor kan er een gaslekage ontstaan.

5.8 Branders

Het is normaal dat er roestvorming (oxidatie) ontstaat op de branders. Voedselresten moeten worden verwijderd op een regelmatige basis. Dit kan met behulp van een barbecue schoonmaakborstel. Branders moeten periodiek worden verwijderd voor inspectie en reiniging, met name na een periode van niet gebruik/opslag. De branders moeten worden gecontroleerd op de algehele conditie en om ervoor te zorgen dat de openingen niet worden geblokkeerd. De branders kunnen gereinigd worden door er een borstel overheen te halen. Indien u de branders verwijdert, pas op dat de gaskraan en de ontstekings elektrode niet worden beschadigd.

Er is opzettelijk een opening in het begin van de brander gemaakt om ervoor te zorgen dat er voldoende toevoer van zuurstof is om het juiste gasmengsel te creëren. Hierdoor ziet u een kleine opening, daar waar de gaskraan op de brander aansluit. Hier zal geen gas uit lekken.

5.9 Spinnen en insecten

Spinnen en insecten kunnen hun nest bouwen in de branders van uw barbecue, waardoor het gas uit de voorkant van de brander kan lopen. Dit is een erg gevaarlijke situatie die brand kan veroorzaken achter het bedienpaneel. Dit beschadigt de barbecue, die dan niet meer veilig is voor gebruik. Wij raden u daarom aan de barbecue ten minste één keer per jaar op spinnen, insecten en hun nesten te controleren (voornamelijk na langere tijd van opslag). Dit kunt u doen door de brander buizen te demonteren en deze schoon te blazen of af te borstelen.

6. Milieurichtlijn, Garantievoorwaarden & Contactinfo



Wilt u om wat voor reden dan ook de barbecue afdanken, neem dan onderstaande richtlijnen in acht:

- * Bezorg de barbecue bij het plaatselijk bevoegde bedrijf voor het inzamelen van de afgedankte huishoudelijke apparaten. Informeer bij uw gemeente waar deze inzamelpunten zich bevinden.
- * Deze barbecue is voorzien van het merkteken conform de Europese richtlijn 2002/96EG betreffende afgedankte apparatuur. De richtlijn bepaalt de normen voor het inzamelen en recyclen van afgedankte apparatuur welke gelden voor het gehele territorium van de Europese Unie.

Voor barbecueaccessoires, garantie-, servicevoorwaarden en overige vragen verwijzen we u naar

www.boretti.com

Ook kunt u uw vragen en suggesties sturen naar

info@boretti.com

Boretti BV

Abberdaan 114

1046 AA Amsterdam

Appliance name: Gas barbecue
 Model number: Imperatore Nero 4B
 Category: I3+, I3B/P(30)
 Q.: 25,7 kW (1870 g/h)

Injector size Main burners: 1,03mm (4,6KW*4)
 IR back burner: 1,02mm (4,0kW) Side burner: 0,9mm (3,3kW)



Country	Category	Gas type	Pressure (mbar)	WARNING
BE	I3+	But	28-30	
	I3+	Propan	37	Il faudra utiliser un détendeur approprié.
BG	I3B/P(30)	бѳтан	29	
	I3B/P(30)	пропан	29	
CY	I3+	βουτάνιο	28-30	
	I3+	πρωτάνιο	37	Απαιτείται άλλος ρυθμιστής πίεσης αερίου.
	I3B/P(30)	βουτάνιο	29	
	I3B/P(30)	πρωτάνιο	29	
CZ	I3+	Butan	28-30	
	I3+	Propan	37	Vyžaduje se jiný regulátor tlaku plynu.
	I3B/P(30)	Butan	29	
DK	I3B/P(30)	Propan	29	
	I3B/P(30)	Butan	29	
	I3B/P(30)	Butaaní	29	
EE	I3B/P(30)	Propani	29	
	I3B/P(30)	Butaaní	29	
ES	I3+	Butano	28-30	
	I3+	Propano	37	Se necesita otro regulador de presión de gas.
FI	I3B/P(30)	Butaaní	29	
	I3B/P(30)	Propani	29	
FR	I3+	Butane	28-30	
	I3+	Propane	37	Il faudra utiliser un détendeur approprié.
GB	I3+	Butane	28-30	
	I3+	Propane	37	Other gas pressure regulator required.
GR	I3+	βουτάνιο	28-30	
	I3+	πρωτάνιο	37	Απαιτείται άλλος ρυθμιστής πίεσης αερίου.
HR	I3B/P(30)	Butan	29	
	I3B/P(30)	Propan	29	
HU	I3B/P(30)	Butángáz	29	
	I3B/P(30)	Propán	29	
IE	I3+	Butane	28-30	
	I3+	Propane	37	Other gas pressure regulator required.
IS	I3B/P(30)	Bútan	29	
	I3B/P(30)	Própan	29	
IT	I3+	Butano	28-30	
	I3+	Propano	37	È necessario un altro regolatore della pressione del gas.
	I3B/P(30)	Butano	29	
LT	I3B/P(30)	Propano	29	
	I3+	Butanas	28-30	
	I3+	Propano	37	Būtinās kitas dujų slėgio reguliatorius.
LV	I3B/P(30)	Butānas	29	
	I3+	Propāns	37	
	I3+	Butāns	28-30	
MT	I3B/P(30)	Propāns	29	
	I3B/P(30)	Butan	29	
NL	I3B/P(30)	Propan	29	
	I3B/P(30)	Butaan	29	
NO	I3B/P(30)	Propan	29	
	I3B/P(30)	Butan	29	
PT	I3+	Butano	28-30	
	I3+	Propano	37	Outro regulador de pressão de gás necessário.
RO	I3B/P(30)	Butan	29	
	I3B/P(30)	Propan	29	
SE	I3B/P(30)	Butan	29	
	I3B/P(30)	Propan	29	
SI	I3+	Butan	28-30	
	I3+	Propan	37	Zahtevan je drug regulator za tlak plina.
	I3B/P(30)	Butan	29	
TR	I3B/P(30)	Propan	29	
	I3B/P(30)	Bútan	29	

Boretti BV

Abberdaan 114 | 1046 AA Amsterdam | The Netherlands
 www.boretti.com



PIN: 0063DN-7445

Appliance name: Gas barbecue
 Model number: Imperatore Nero 5B
 Category: I3+, I3B/P(30)
 Q.: 30,3 kW (2204 g/h)
 Injector size Main burners: 1,03mm (4,6kW*5)
 IR back burner: 1,02mm (4,0kW) Side burner: 0,9mm (3,3kW)



Country	Category	Gas type	Pressure (mbar)	WARNING
BE	I3+	But	28-30	
	I3+	Propan	37	Il faudra utiliser un détendeur approprié.
BG	I3B/P(30)	бутаи	29	
	I3B/P(30)	пропан	29	
CY	I3+	βουτάνιο	28-30	
	I3+	προπάνιο	37	Απαιτείται άλλος ρυθμιστής πίεσης αερίου.
	I3B/P(30)	βουτάνιο	29	
	I3B/P(30)	προπάνιο	29	
CZ	I3+	Butan	28-30	
	I3+	Propan	37	Vyžaduje se jiný regulátor tlaku plynu.
	I3B/P(30)	Butan	29	
DK	I3B/P(30)	Propan	29	
	I3B/P(30)	Butaan	29	
EE	I3B/P(30)	Propan	29	
	I3B/P(30)	Butaan	29	
ES	I3+	Butano	28-30	
	I3+	Propano	37	Se necesita otro regulador de presión de gas.
FI	I3B/P(30)	Butaan	29	
	I3B/P(30)	Propan	29	
FR	I3+	Butane	28-30	
	I3+	Propane	37	Il faudra utiliser un détendeur approprié.
GB	I3+	Butane	28-30	
	I3+	Propane	37	Other gas pressure regulator required.
GR	I3+	βουτάνιο	28-30	
	I3+	προπάνιο	37	Απαιτείται άλλος ρυθμιστής πίεσης αερίου.
HR	I3B/P(30)	Butan	29	
	I3B/P(30)	Propan	29	
HU	I3B/P(30)	Butángáz	29	
	I3B/P(30)	Propán	29	
IE	I3+	Butane	28-30	
	I3+	Propane	37	Other gas pressure regulator required.
IS	I3B/P(30)	Bútan	29	
	I3B/P(30)	Própan	29	
IT	I3+	Butano	28-30	
	I3+	Propano	37	È necessario un altro regolatore della pressione del gas.
	I3B/P(30)	Butano	29	
	I3B/P(30)	Propano	29	
LT	I3+	Butanas	28-30	
	I3+	Propano	37	Būtinis kitas dujų slėgio reguliatorius.
	I3B/P(30)	Butanas	29	
LV	I3B/P(30)	Propano	29	
	I3+	Butāns	28-30	
MT	I3+	Propāns	37	
	I3B/P(30)	Butāns	29	
NL	I3B/P(30)	Propāns	29	
	I3B/P(30)	Butan	29	
NO	I3B/P(30)	Butaan	29	
	I3B/P(30)	Propan	29	
PT	I3+	Butano	28-30	
	I3+	Propano	37	Outro regulador de pressão de gás necessário.
RO	I3B/P(30)	Butan	29	
	I3B/P(30)	Propan	29	
SE	I3B/P(30)	Butan	29	
	I3B/P(30)	Propan	29	
SI	I3+	Butan	28-30	
	I3+	Propan	37	Zahtevan je drug regulator za tlak plina.
	I3B/P(30)	Butan	29	
TR	I3B/P(30)	Propan	29	
	I3B/P(30)	Butan	29	

Boretti BV
 Abberdaan 114 | 1046 AA Amsterdam | The Netherlands
 www.boretti.com



PIN: 0063DN-7445



Passione in Cucina

