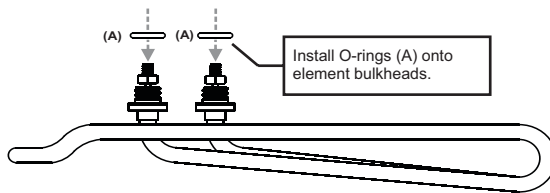


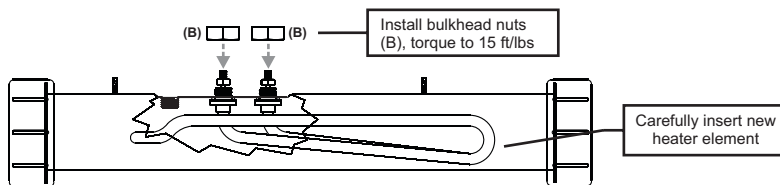
HEATER ELEMENT REPLACEMENT INSTRUCTIONS

CAUTION - After removing the defective element, assure that all inner and outer sealing surfaces are clean and free of debris prior to installing the new o-rings and element or leaks may occur.

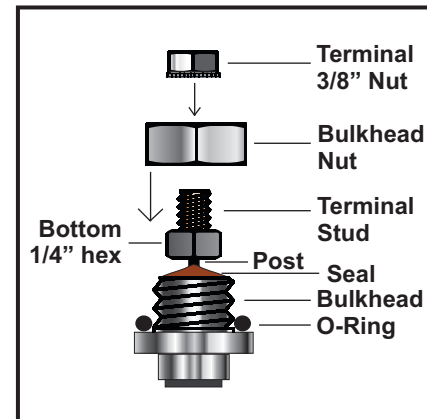
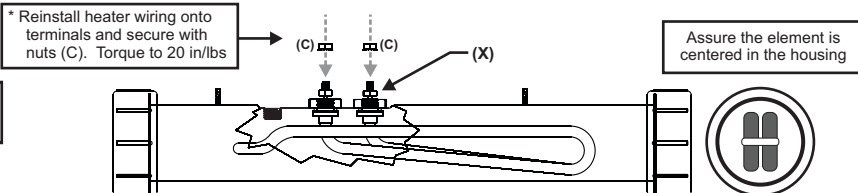
STEP 1



STEP 2



STEP 3



*** WARNING:** Hold the Bottom Hex (X) with a 1/4" open end wrench when tightening the Terminal Nut to prevent rotation and damage to the epoxy end seal.

PARTS INCLUDED

- (A) - 60-0022 - O-Ring (2ea)
- (B) - 01-0010 - Nut, 1/2"x 20 (2ea)
- (C) - 01-0035 - Nut, K-Lock #10-32 (2ea)

TORQUE SETTINGS

- 3/4" Bulkhead Nuts = 15 ft/lbs
- 3/8" Terminal Nuts = 20 in/lbs