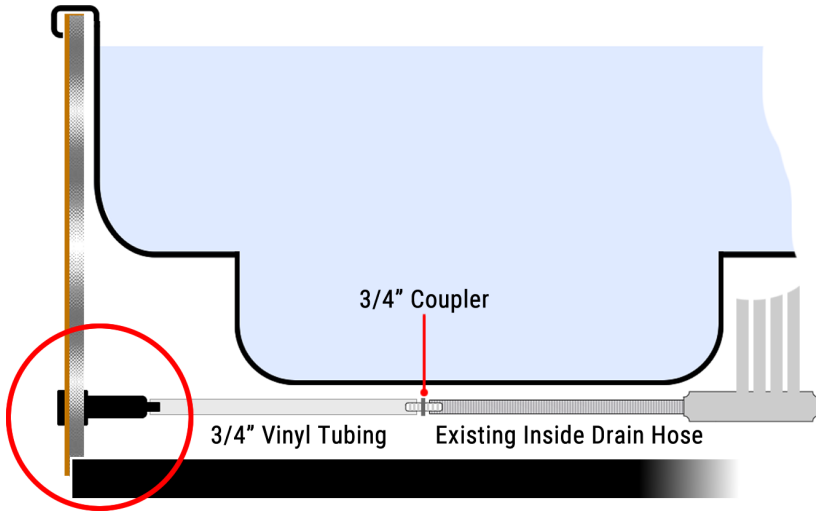


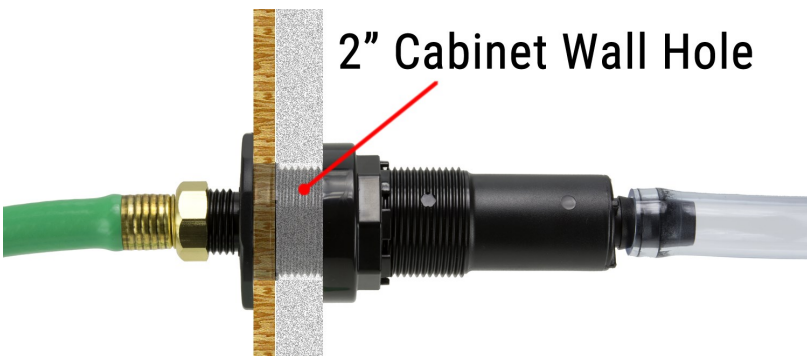
BX9688

Installation



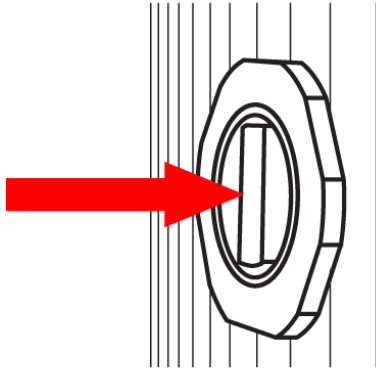
Turn off power to spa at the electrical service panel prior to opening spa cabinet access panel.

1. If spa is equipped with an in-cabinet drain hose (normally 3/4" I.D. tubing), locate and snip-off the existing drain valve. If spa has not been drained, insert temporary plug or kink and tape tubing to prevent water from spilling.
2. Determine which spa side is your preference for locating the new external drain.
3. If existing drain hose is not long enough to reach the side chosen, splice in a supplementary section of 3/4" Clear PVC Tubing [BX9007] using a 3/4" Barbed PVC Tubing Coupler [BX9682]. **TIP:** Soaking end of vinyl tubing in a cup of hot water makes it more flexible.
4. If spa has no drain system, you will need to tee into a low point of existing plumbing to facilitate installation. Contact us for technical support if you have questions: Weekdays, 6AM—5PM Pacific Time (800) 823-3638.



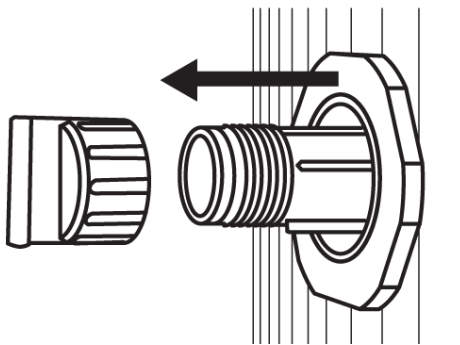
5. Locate Drain Valve as low as practical on the cabinet panel. Depending on your spa design, installation through the toe kick plate may also be an option. Determine that there is unobstructed internal clearance for valve (7") and tubing.
6. Cut a round 2" opening for mounting. This is best accomplished with a hole saw, but a jigsaw can alternately be used. This may be easier if panel is removed prior to cutting.
7. Slip tubing onto barbed Drain Valve fitting. **TIP:** Soaking end of vinyl tubing in a cup of hot water makes it flexible.
8. Remove bezel, then insert Drain Valve into opening from the inside. Reinstall bezel, then tighten rear nut snugly.
9. **IMPORTANT:** Read operating instructions (next page) prior to using Drain Valve.

Operation



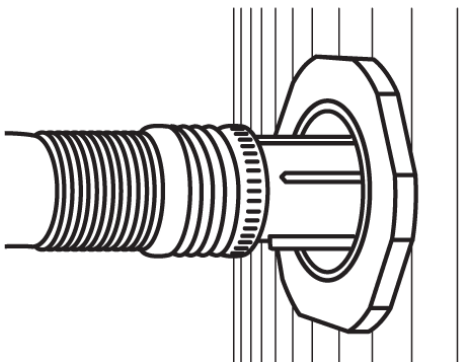
STEP 1

IMPORTANT: Push handle IN slightly to unlock valve mechanism.



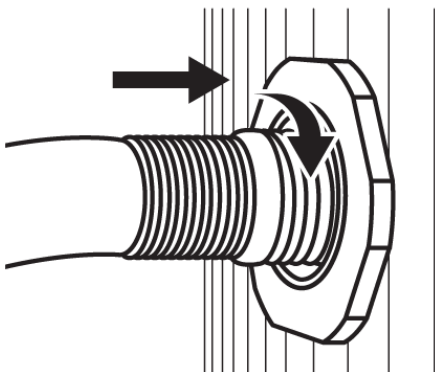
STEP 2

Pull out spout and remove cap. (Valve is closed—no water will drain).



STEP 3

With spout extended/locked, install garden hose if desired.



STEP 4

Push hose and spout half-way in to open valve and begin draining. Rotate 1/4 turn to lock in this position.

WHEN FINISHED DRAINING SPA:

Reverse above procedure. (Spout must be fully re-extended to unscrew garden hose).