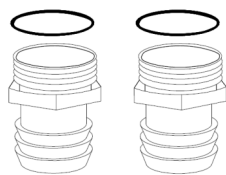




## INSTRUCTION

### Double Barrel Heater Barb Replacement Kit #48-0041B-K



**Kit contains:**  
2 barbs with O-rings

**Tools required:**  
1-1/16" wrench  
Clean rag

**ATTENTION!** Service repair to the spa and/or heater should be performed by a qualified technician or licensed electrician. These instructions must be provided to the person performing the work.

Read this entire instruction prior to starting work. If you **do not** understand these instructions or unable to perform the steps required to replace the manifold assembly, **STOP!** and contact your heater provider for assistance.

**ATTENTION!** Product damaged by incorrect installation, alteration or freeze damage is not covered under warranty

#### Step 1 Accessing heater

- A. The spa water must be drained to perform this repair.
- B. Completely disconnect power to spa by turning off the spas electrical breaker.
- C. In addition to removing the plumbing hoses from the heater, you may also need to disconnect the electrical cord from the spa control.

**IT IS IMPORTANT** to mark and note where and how wires and plumbing hoses are connected to accurately reconnect. Incorrect placement of wiring or plumbing hoses may lead to spa system or heater malfunction, circuit board damage, water leaks and pose a potential hazard to the spa user.

#### Step 2 Removing barbs from manifold (Refer to DIA. #1 for item and location)

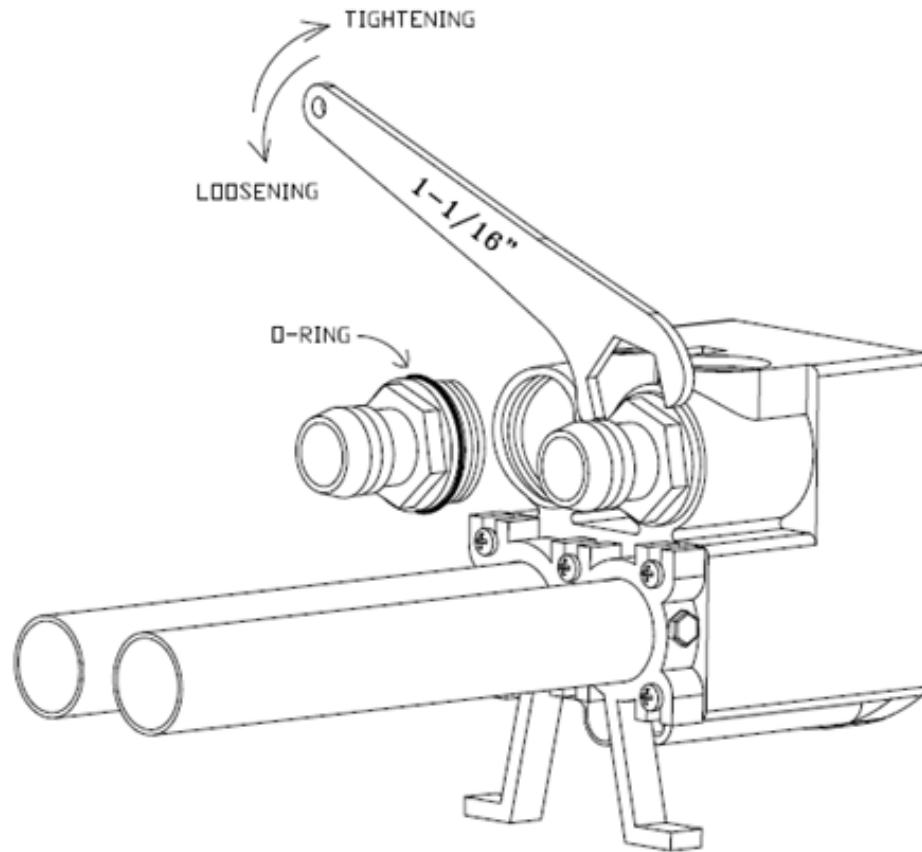
- A. Remove plumbing clamps and hose from barb fittings.
- B. Using 1-1/16" wrench, turn the barb flange counterclockwise to loosen and remove threaded barb
- C. Wipe heater threaded fittings clean with a rag.

#### Step 3 Installing new barbs (Refer to DIA. #1 for item and location)

**Inspect that barbs and threaded fittings are clean and grease free prior to assembly**

- A. Dry fit O-rings to barb body, then insert barb to heater body. **Caution, do not** apply lubricant or sealant.
- B. Tighten barb flange clockwise with 1-1/16" wrench until snug.

## DIA. #1



### Step 4 Re-installing heater and testing for leaks

- A. Place heater and reconnect water supply hoses and electrical in the same fashion as removed in step 1
- B. Fill spa and turn power supply on at the breaker.
- C. Program the spa heater pump "on" and confirm water flow through heater.
- D. Inspect heater for leaks coming from barb fittings.

### Trouble shooting O-ring leaks

Barbs can be removed and reinstalled again with care. Leaks can be caused by barb fittings not tight, pinched or broken O-rings, debris in O-ring track, lubricants or sealants placed on O-rings.