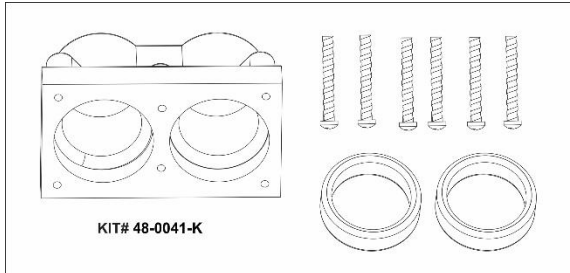




## INSTRUCTION

### Double Barrel Heater "Turn -Around" manifold kit #48-0041-K



#### Kit contains:

- 1 Turn-Around manifold
- 2 Gaskets
- 6 Stainless self-tapping screws

#### Tools required:

- Phillips screwdriver
- Clean rag

**ATTENTION!** Service repair to the spa and/or heater should be performed by a qualified technician or licensed electrician. These instructions must be provided to the person performing the work.

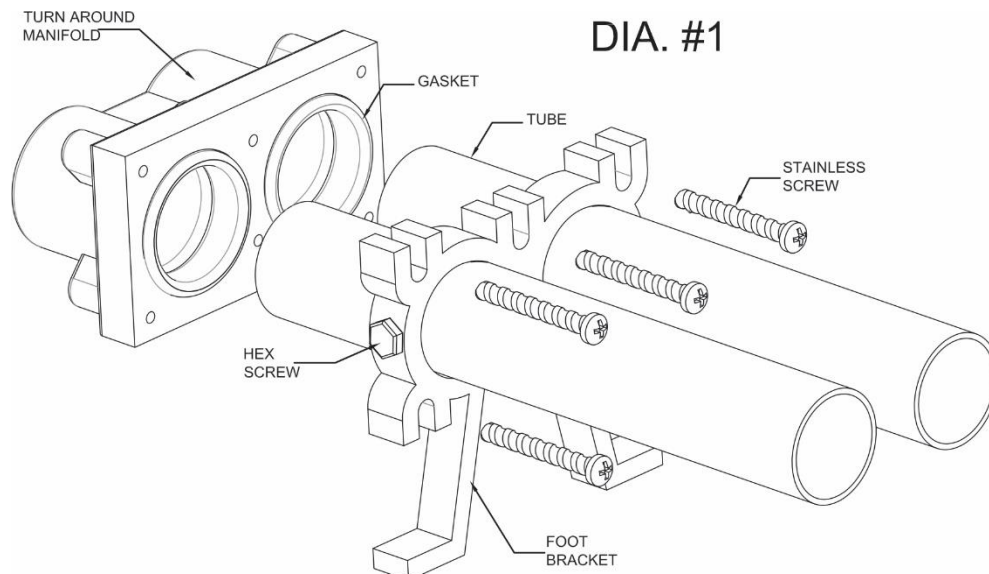
Read this entire instruction prior to starting work. If you **do not** understand these instructions or are unable to perform the steps required to replace the manifold assembly, **STOP!** and contact your heater provider for assistance.

**ATTENTION!** Product damaged by incorrect installation, alteration or freeze damage **is not** covered under warranty

### Step 1 Accessing heater

- A. The spa water must be drained to perform this repair.
- B. Completely disconnect power to spa by turning off the spas electrical breaker
- C. In addition to removing the plumbing hoses from the heater, you may also need to disconnect the electrical cord from the spa control

**IT IS IMPORTANT** to mark, take photos and note where and how wires and plumbing hoses are connected to accurately reconnect in step #4. Incorrect placement of wiring or plumbing hoses may lead to spa system or heater malfunction, circuit board damage, water leaks and will pose a potential hazard to the spa user.



## Step 2 Removing existing manifold (Refer to Dia. 1 for item and location)

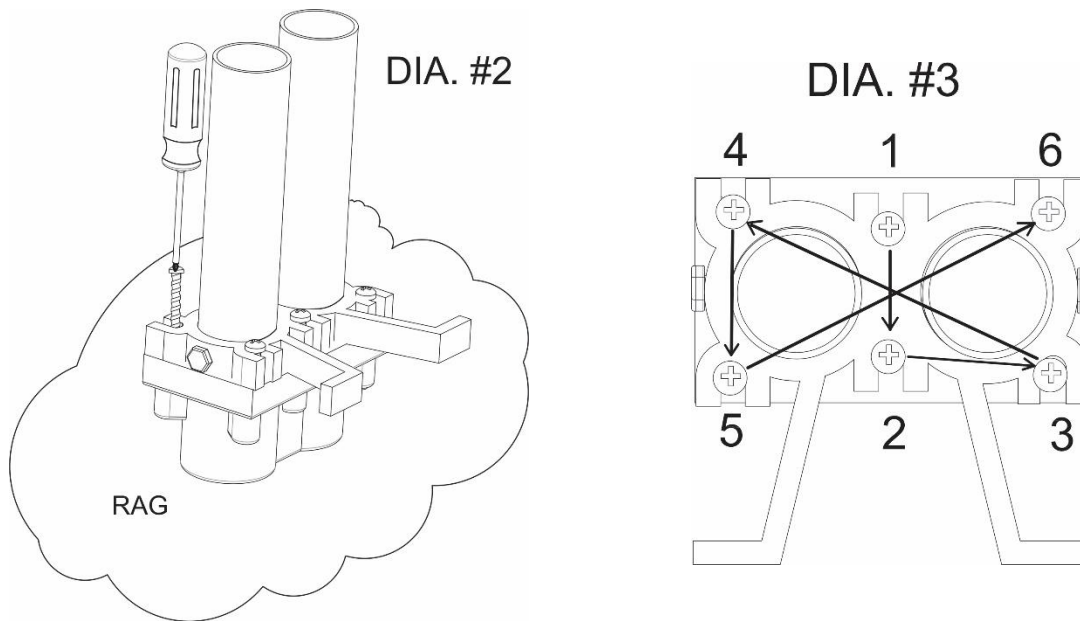
- A. Remove 6 stainless screws from existing manifold with a Philips screwdriver
- B. Pull to remove manifold from heater tubes
- C. Discard existing gaskets and wipe tubing clean with a rag
- D. **Do not loosen or remove “Hex Screws” from foot bracket (DIA. #1)**

## Step 3 Installing new manifold with gaskets

Inspect that all components are clean and grease free prior to assembly

- A. Dry fit new gaskets into manifold body then insert tubes (Dia.#1). **Caution, do not** apply lubricant or sealant on gaskets or tubing. The manifold is universal and can be placed either direction.
- B. Lay down the rag and place heater on end pushing against ground to keep manifold in place while inserting the stainless screws through Foot Bracket and into the pre-drilled holes and tighten (Dia.#2).
- C. To insure an expert seal, hand tighten screws in the recommended harmonic pattern (DIA #3) until snug.

**WARNING!** Using a drill driver may apply too much torque and strip out the manifold holes voiding warranty



## Step 4 Re-installing heater and testing for leaks

- A. Place heater and reconnect water supply hoses and electrical in the same fashion as removed in step 1 (use your notes and photos).
- B. Fill spa and turn power supply on at the breaker.
- C. Program the spa heater pump on and confirm water flow through heater.
- D. Inspect for leaks coming from new heater manifold.

## Trouble shooting manifold leaks

The same manifold can be removed and reinstalled with care. Leaks can be caused by dented or bent tube ends, tubes not completely inside manifold, loose screws, debris between tube and gaskets, lubricants placed on tubes.