

Gatsby Low Flow replacement series heaters

- ✓ Upgraded - Titanium element
- ✓ Upgraded - High limit safety reset switch
- ✓ Upgraded - Visual Diagnostic System light "VDS"

HEATER REPLACEMENT CHART

Heater models	HQ replacement	Kilowatts		Amps	
		240v/120v	240v/120v	240v/120v	240v/120v
E2550-0300ET, 26-08175 E2550-0301ET, 26-08156 46-371-1295	28-E0300 -7T-K	5.5kW 1.4kW		22.5a. 11.3a.	
E2400-0300ET, 26-08174 E2400-0301ET, 26-08157 46-371-1296	28-E0300 -5T-K	4.0kW 1.0kW		16.7a. 8.3a.	
E2300-0300ET, E2280-0300ET E2300-0301ET	28-E0300 -4T-K	3.0kW .75kW		12.5a. 6.3a.	
E2150-0300ET, E2140-0300ET	Contact Distributer	1.5kW 230v only		6.3a 230v only	



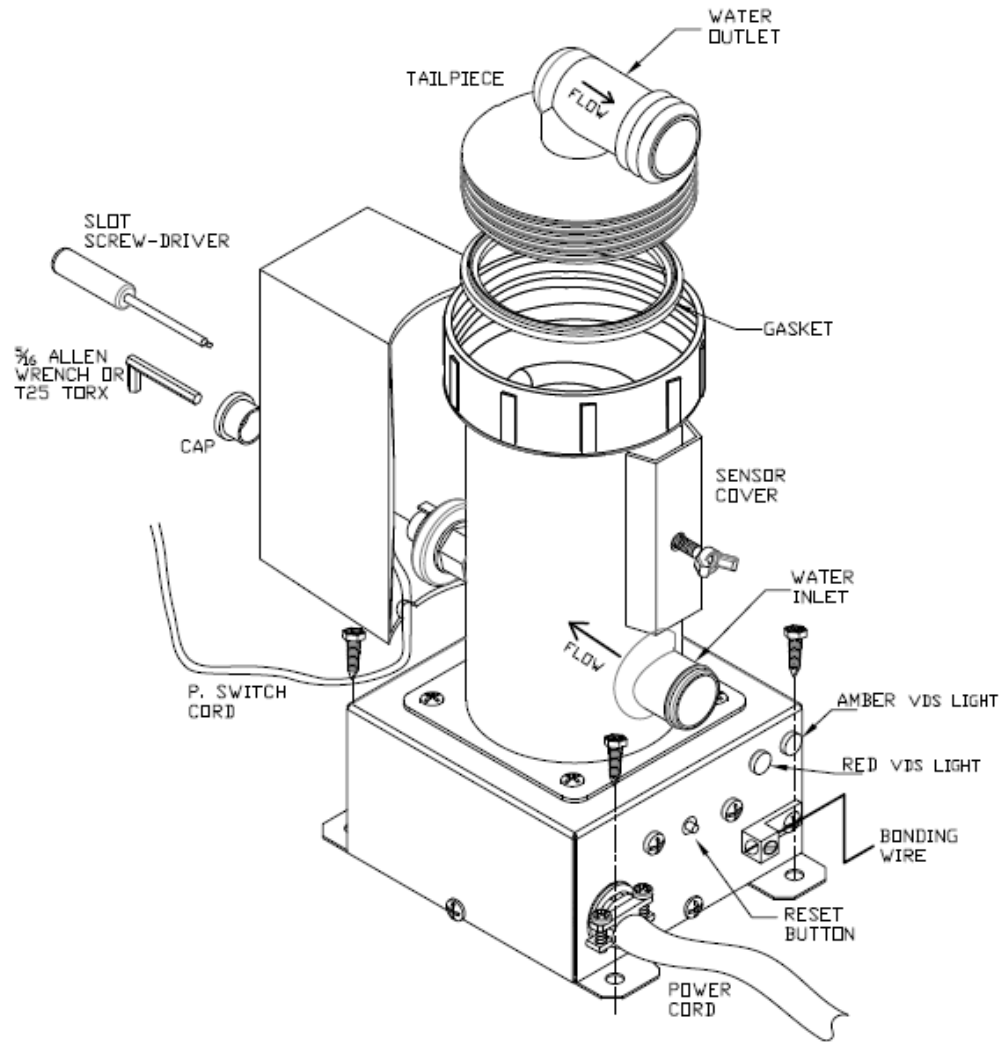
WARNING! This electrical heater should be installed by a qualified electrician or pool/spa technician. If you're not qualified or do not have the technical experience to install this product correctly **STOP!** And contact your heater provider.

WARNING! Removing the product label, disassembling, altering, damaging, removing the cord/plug or subjecting heater to a wet or dry fire will void the product warranty.

PRECHECK - APPLICATIONS

- Read through these instructions completely, prior to performing work.
- Inspect for shipping or other damage. **Do Not attempt to install a heater that appears damaged or missing parts**
- Confirm this heater has the same or less Kilowatt (kW) rating as the one being removed. Use heater data labels to compare kW ratings. **Do Not install a heater with a higher kW rating,** contact your heater supplier with questions.
- This heater is intended for vertical mounting applications only and should never be placed on its side, mounted upside-down, or in areas that may spray or collect water. This product is intended for **indoor use only**
- Heater requires a minimum consistent water flow rate of 6 gallons per minute and will operate at 115-240v.
- Confirm operation of the electronic sensors and circ. pump being reused prior to installation

SAVE A COPY OF THESE INSTRUCTIONS



STEPS FOR A SUCCESSFUL INSTALLATION

- 1.** Set spa temperature to off and turn off spas circuit breaker. Using a voltmeter, confirm the electrical power has been disconnected before performing this service.

HELPFUL HINT: Before removing the existing heater, we recommend you take photos and notes of the heater position, sensor locations and plumbing connections for reference. Installation errors can cause operational problems and/or damage the heater voiding the product warranty

- 2.** Carefully disconnect cords, high limit sensor, bonding wire and plumbing from the existing heater. Remove heater from the spa and clean the surface of the equipment base
- 3.** Place new heater in the same position and mount to the equipment base using the 4 screws provided. It's important to secure the heater so it will not vibrate or fall over
- 4.** Reconnect plumbing using steel clamps and inspect tubing for kinks. This heater was designed for water flow entering the bottom and exiting the top (Ref diagram)

- 5.** Re-connect bare copper bonding wire to external bonding lug, then plug in main power and pressure switch cords.

NOTE: HQ model heaters also replace the 0301ET series without pressure switch listed on the replacement chart. When replacing these models, simply coil and store the unneeded pressure switch cord alongside the heater. This cord has no live electricity when not connected to the spa circuit board

- 6.** Fill spa and restore spa power at the breaker. This is a good time to clean or replace your filters, as clogged or dirty filters can reduce water flow and prevent proper heater circuit operation.
- 7.** Turn on pump(s) and confirm water flow. Inspect for leaks at the heater inlet/outlet connections and gasket seal
- 8.** Program spa heat setting to a desired temperature, then verify the system and heater operate properly together. Use the VDS Amber light to confirm operation with spa controls (Ref. operation)

OPERATION - TROUBLESHOOTING - TERMINOLOGY

Amber light is “ON”

Indicates heater is operating with power being supplied to the element. This Amber light should be on when the spa control makes a heat call. (Ref. What Is a Heat Call?) Test the spa control and heater operation by raising and lowering the temperature, making sure the Amber light only comes on when there is a heat call.

Amber light is “ON” but water is not warming up

It takes a while for water to warm, but if there is no temperature rise after 3 hours (240v.) or 5 hours (120v.) during continuous operation, there is most likely an element problem. Contact your heater provider with your serial number for troubleshooting information and element replacements

Amber light goes on/off intermittently during heat call

- a. Symptom of low water flow, or air pockets/bubbles in heater (Ref. Causes of Low Water Flow)
- b. Circulation pump is going off/on or has not primed
- c. Pressure switch requires adjustment (Ref. Adjusting Pressure Switch setting- option #1)

Amber light is “OFF” when system makes a heat call and pump is running

You may also see a “FLO” or other icon on the topside indicating the pressure switch is not closing when it should

- a. If the VDS Red heater light is on (Ref. subject Red Light is “On”)
- b. Power or pressure switch cord is not connected to system circuit board
- c. Low or no water flow (Ref. Causes of Low Water Flow)
- d. Pressure switch requires adjustment. (Ref. Adjusting Pressure Switch Setting -option #1)

Amber light is “ON” when spa control is not calling for heat or when pump is not running

Spa control system has a stuck heater relay or contactor. Switch off the main breaker to the spa immediately and contact a local pool/ spa service agent.

Red light is “ON”

Indicates the heater has overheated and the integral Thermal Cut Off device “TCO” has tripped and disconnected power to the element. The TCO can be reactivated by pushing the “reset” button located at the front of the heater after the water inside has cooled off. Ref. Causes of Low Water Flow, for possible reasons the TCO has tripped

Spas topside display has a pressure switch error code (i.e. “FLC”, light or other water flow icon)

Review the spa owner’s manual but typically a number code, “FLC”, light or icon will appear on the topside when the pressure switch is “closed” and the circ. pump is not running. In this case the switch may require adjustment to a higher pressure setting. (Ref. adjusting pressure switch setting option #2)

Causes of low water flow

One or more of the following conditions can reduce the circulation pumps water flow below 6gpm

- a. Low spa water level or air in the filter can cause the pump to suck in air bubbles and loose prime
- b. Dirty spa filter, kinks or obstruction in the plumbing hose, clogged ozone injector, valve closed etc.
- c. Circulation pump is going on/off, or pump impeller is clogged

Adjusting pressure switch setting option #1 and #2 Tools required 5/6" Allen wrench (T25 TORX) or slot screwdriver

Option #1 – Lower pressure switch setting

If there is a heat call and the pump flow is greater than 6gpm and the Amber light **does not come on**, the pressure switch may need adjustment to a lower pressure setting. Adjustments are made safely while the system runs by removing the cap and slowly turning the pressure switch adjustment screw counter-clockwise until the switch “closes” and the Amber light comes on (Ref diagram) Check for correct adjustment by confirming the Amber light only comes on during a heat call and at no other time

Option #2 – Raise pressure switch setting

Remove the cap and slowly turn the adjustment screw clockwise until the “FLC” or other error code goes away. Check for correct adjustment by confirming the Amber light only comes on during a heat call and no other time

Leaking heater

Confirm clamps are tight on barb connections. Nut must be screwed firmly onto tailpiece. Inspect for dirty or broken gasket. The pressure switch can be further threaded in clockwise to achieve a leak free seal. If water is coming from the electrical box, turn off breaker and remove bottom for inspection

GFCI breaker tripping when heater goes on

Inspect electrical plugs for moisture or corrosion. Leaking or wet heaters will need to dry before restarting. If the heater is dry and GFCI breaker continues to trip, contact your heater provider for assistance with troubleshooting

What is a heat call?

When there is a demand for a higher water temperature, the term is making a “heat call”. Your spa owner’s manual will explain the topside light or icon that will appear, confirming power is being supplied to the heater.

What are VDS lights?

VDS stands for the Visual Diagnostic System invented by HydroQuip to make troubleshooting fast and easy. The colored light system will confirm heater operation or display trouble without having to use a multi-meter

What is a “closed” pressure switch?

A running circ. pumps will close the pressure switch’s electrical contact points together, allowing electrical power to pass through the switch and complete a circuit. The correct terminology for a connected electrical circuit is “closed”

Note the pressure switch circuit should always be “open” when the circ. pump is off

IMPORTANT! The heater should never be allowed to operate without proper water flow. Heaters damaged from low or no water flow causing a Wet or Dry Fire damage will not be covered under warranty

WARRANTY GUIDELINES

All warranty claims and product returns must be handled through your heater provider (no exceptions)

Data label contains information important to identification and warranty period. DO NOT REMOVE PRODUCT LABELS
Product returns determined to have shipping damaged, alterations, signs of chemical corrosion, wet/dry fire, abused, out of the warranty or with a missing data label will not be considered for warranty