

The Guardian

Handrail by Outdoor Solutions Inc

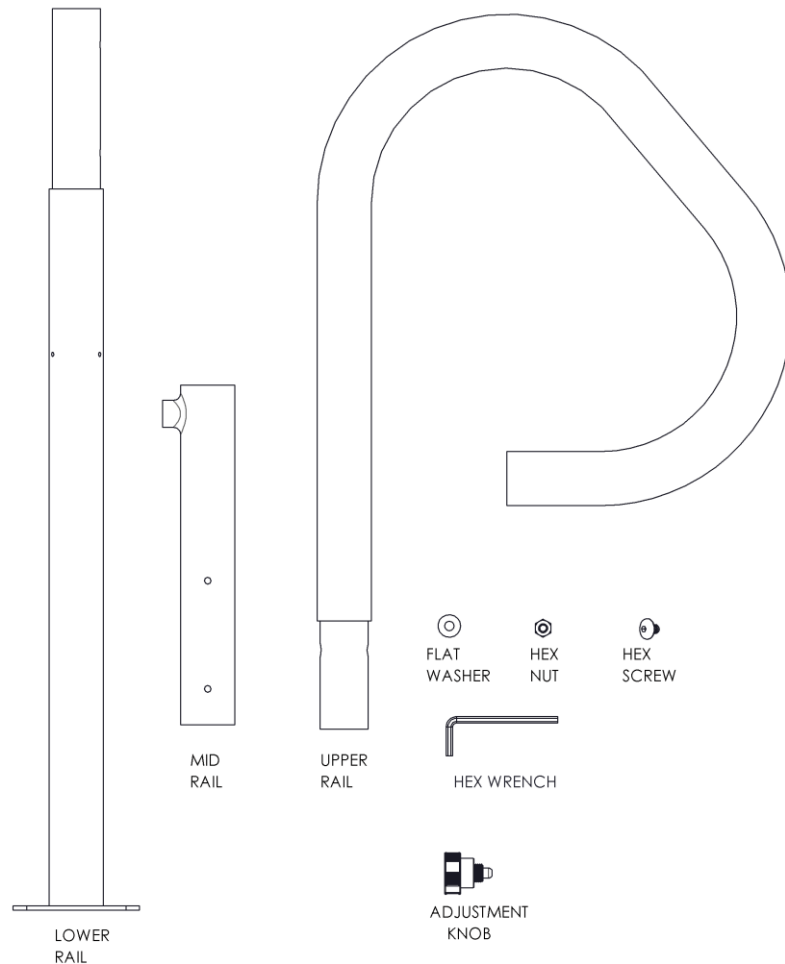


Installation Instructions

Tools needed: power drill, #2 Philips screw driver bit

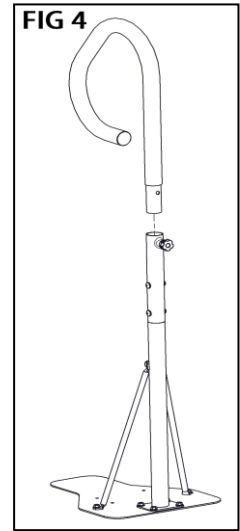
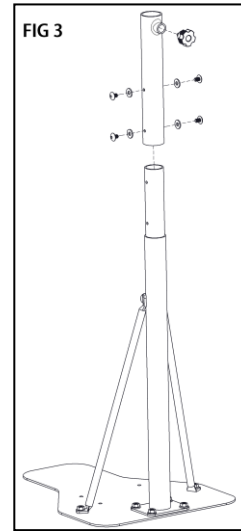
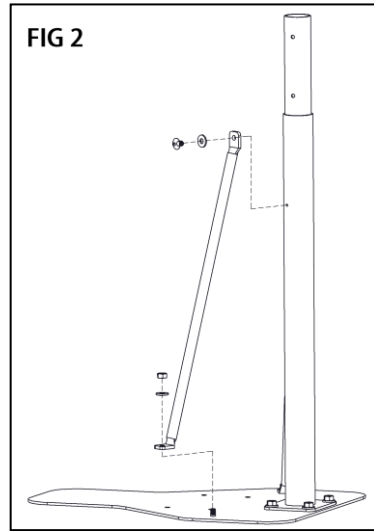
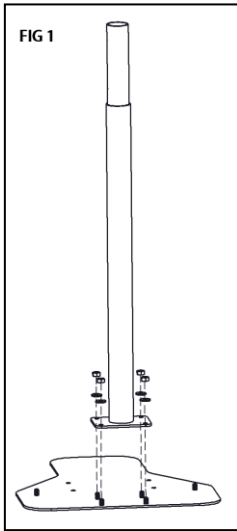
Part Identification

- (12) Flat Washers
- (6) hex nuts
- (6) Hex Screws
- (1) adjustment Knob
- (1) hex wrench
- (1) upper Rail
- (1) mid rail
- (1) lower rail
- (2) support arms
(see figure 2)

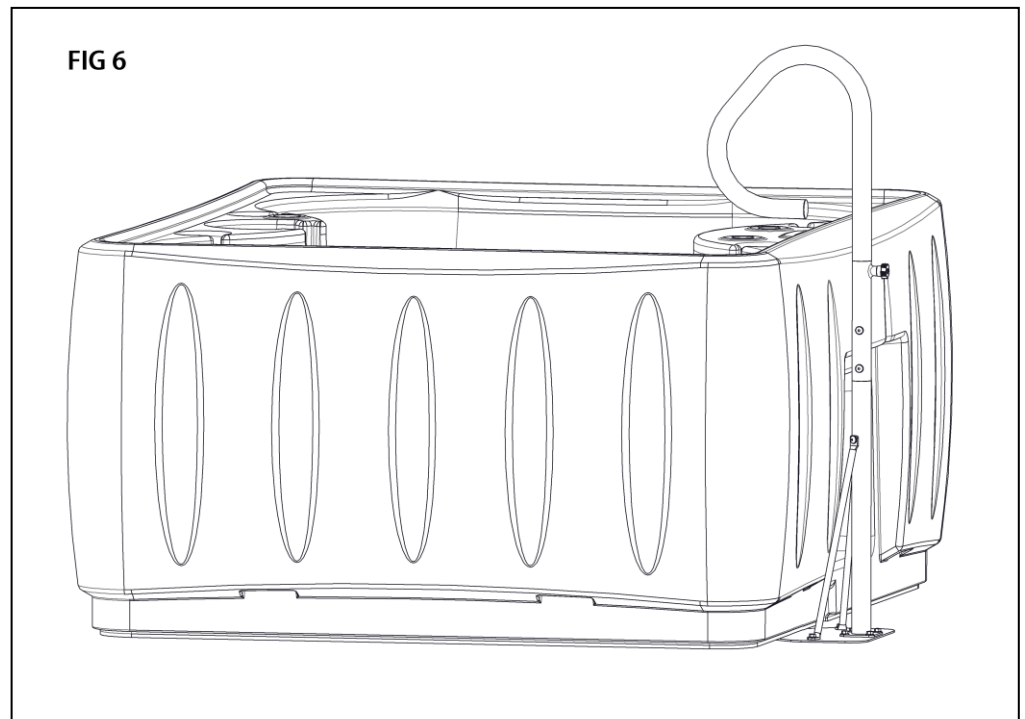


1. Attach lower rail to four threaded stud in the base using (4) flat washers and (4) hex nuts as shown in fig 1. Do not tighten until step 2.
2. Attach (2) support arms; using (4) flat washers,(2) hex screws and (2) hex nuts as shown in figure 2. Tighten all (6) hex nuts with the 7/16" wrench and both hex screws using the hex wrench provided.
3. Attach the mid rail to the lower rail using (4) flat washers and (4) hex screws as shown in figure 3. Tighten using hex wrench supplied. Thread adjustment knob into mid rail as shown in fig 3. Hand tighten only.

4. Insert upper rail into mid rail while pulling back on the adjustment knob, as shown in figure 4. This allows the Upper Rail to rotate freely. Letting you determine whether the upper rail faces the spa or the stairs to assist in entering or exiting the spa. When the adjustment knob is released, it will pin the rail in position. If the upper rail is not stationary, gently rotate the upper rail until the adjustment knob's alignment pin snaps into place.
5. Slip the base under the spa, in your desired location, as shown in fig 5. Push the rail toward the spa. Make sure the foot plate is secure on a flat surface.



****Make sure Spa is empty (containing no water) and unplugged for your safety****



The Guardian Warranty: one year full replacement of any defective parts without charge for labor or materials. (This excludes the cost of freight to and from the manufacturer)

Exclusions:

- This warranty does not cover damages incurred by the use of the Guardian other than what has been depicted as normal use in this literature.
- Defects in components of any part, which are not part of the Guardian.
- Improper installation, normal fading and minor deterioration caused by exposure to the sun, rain, snow, chemical or other environmental factors.
- Misuse, abuse, negligence, accidents, alterations or disassembling factory parts, other than authorized by Outdoor solutions Inc
- Use of solvents, abrasive cleaners or brushes and strong detergents.

Additions:

- Outdoor Solutions Inc, shall not be liable for consequential damages or incidental expenses resulting from any breach of the before mentioned warranties.
- This warranty gives you specific legal rights and you may have other rights which can vary in different states and countries.
- Any dispute between Buyer and Outdoor Solutions Inc. pertaining to this warranty may, at the option of the Buyer, be resolved in the State of Florida USA, in according to the rules of the American Arbitration Association.
- Should any one or more of the terms, provisions, covenants, or conditions of this warranty be determined void, invalid, illegal or unlawful in any respect, then shall be so, however it will not affect any of the other terms or provisions of this warranty and the remainder hereof shall still be in effect.