

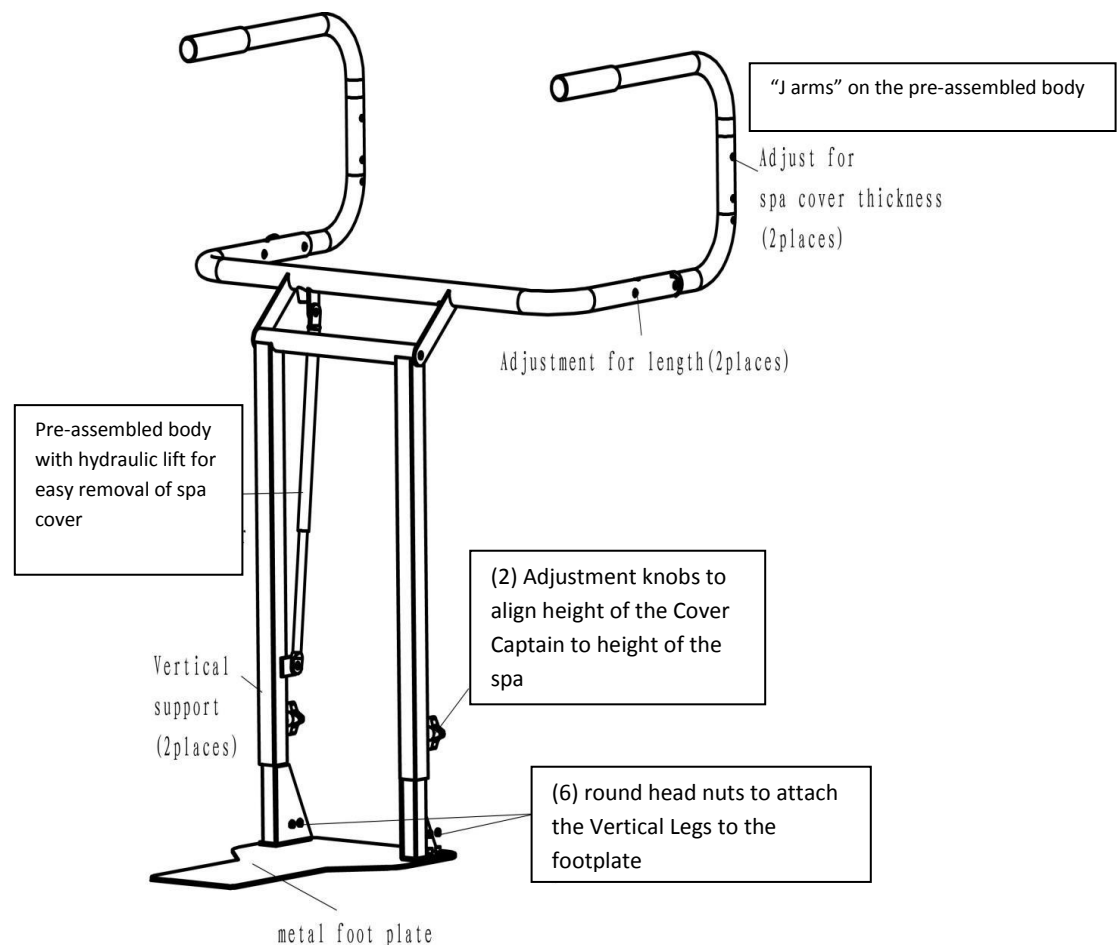
Assembly Instructions



Cover Captain Spa Cover Lifter by *Outdoor Solutions Inc*

Patent
Pending

Thank You for purchasing the Cover Captain.
The cover Captain is pre-assembled and is easy to put together



Your Cover Captain kit should include the following:

1. The pre-assembled body (which includes the (2) “J arms” and hydraulic lift
2. (2) vertical legs
3. (1) footplate
4. (2) adjustment knobs for the height adjustment
5. (6) round head nuts for the footplate
6. (2) foam self-stick pieces

1. Attach the vertical legs to the footplate with the 6 round heat nuts into the fixed bolts. Make sure the triangle base on the vertical legs face away from the tub and the holes (for adjustment) can be seen on the front of the legs. (figure A)

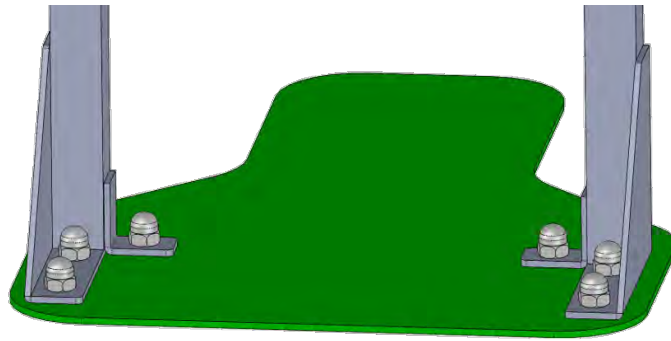


Figure A

2. Make sure **the SPA IS EMPTY** (containing no water) and **UNPLUGGED** for your safety. Slide the footplate with the vertical legs attached (see figure B). Make sure the footplate is under the **center** part of the spa and is **flat** on the ground.

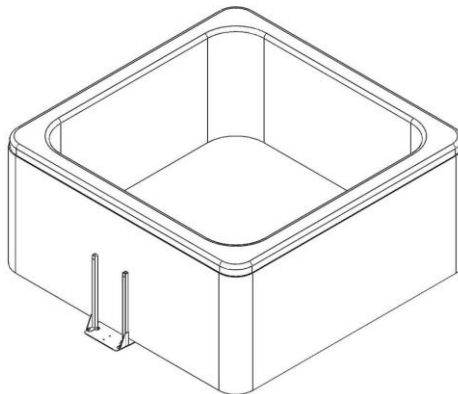


Figure B

3. Slide the **“pre-assembled body”** onto the vertical legs (see figure C) with the **“J arms”** out in front

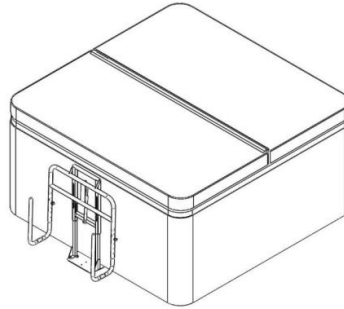


Figure C

4. Adjust the Cover Captain to the height of the spa: Align the top of the Cover Captain with the top of the spa. The (2) holes in the bottom part of the **“pre-assembled body”** will line up with the holes in the vertical legs. Insert the (2) adjustment knobs into the holes. Tighten down firmly. Once the knobs are in place, you will be able to open up the **“J arms”** and tilt the lifter up. Now the cover should be able to slide easily into the **“J arms”** of the Cover Captain. (see figure D)

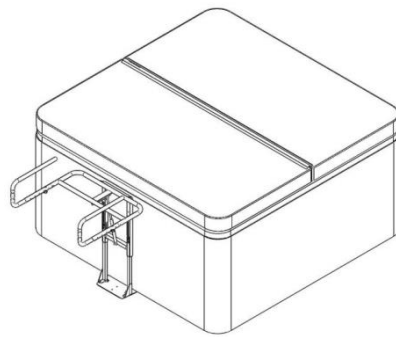
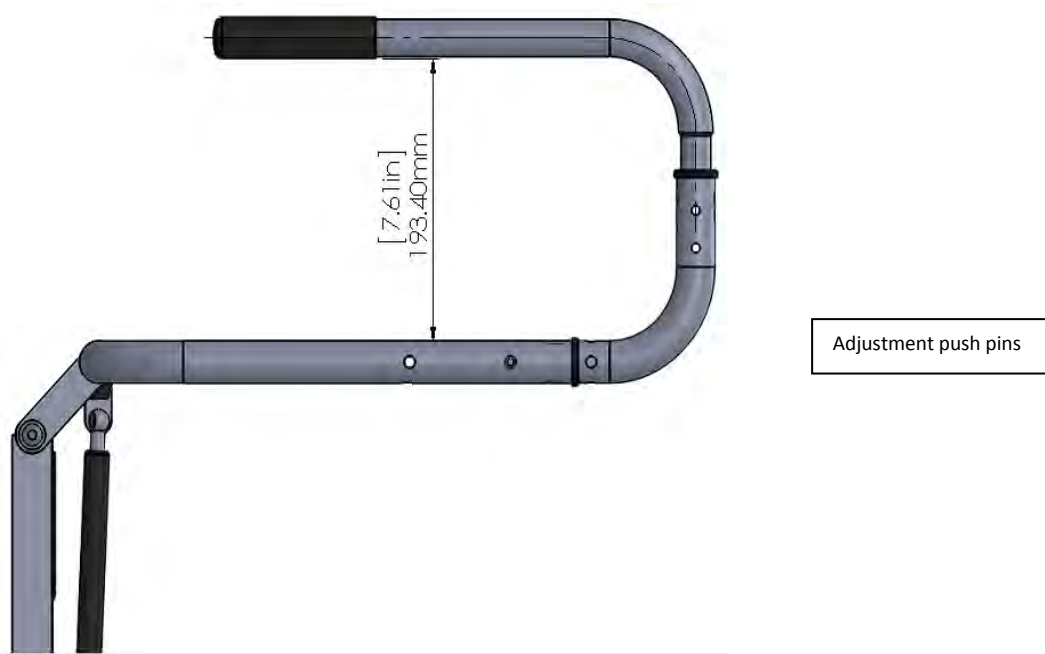


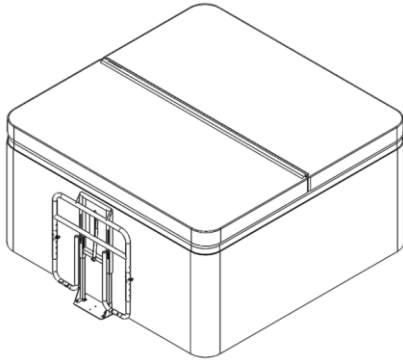
Figure D

5. You can adjust the width and length of the “J arms” to accommodate the thickness of your cover. Use the push buttons on the “J arms” to make the proper adjustment to accommodate the thickness of your cover. (make sure both “J arms” are set to the same adjustment holes to keep both sides at the same width and length). The length of the “J arms” should be set to keep the cover as low as possible without hitting the ground

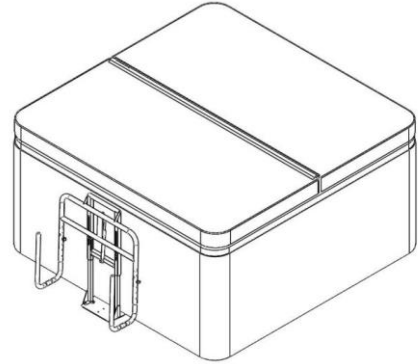


6. Enclosed are (2) self adhesive foam pads. Those are optional and to be used if any part of the Cover Captain rubs against the cabinet of the spa. This will prevent scraps and dents.

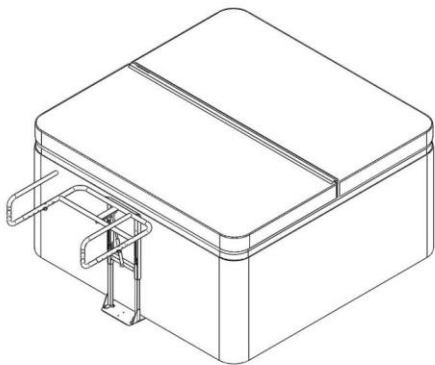
Operating your Cover Captain



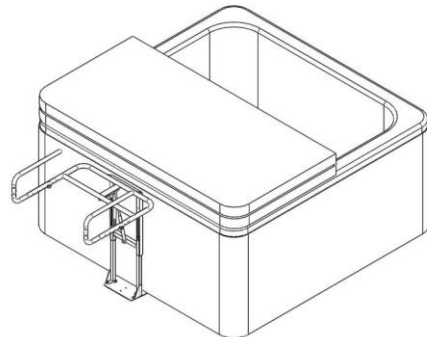
Step 1: Store Cover Captain the With "J arms" folded inward



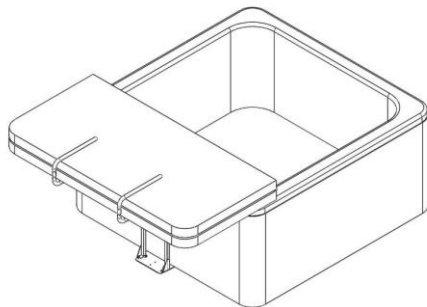
Step 2: Rotate "J arms" outward; making sure that push pins lock into place



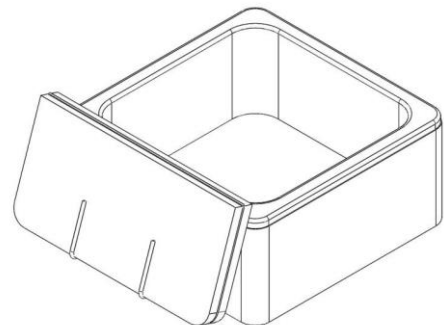
Step 3: Open up the Cover Captain



Step 4: Fold the spa cover in half



Step 5: Slide the spa Cover into the "J arms"



Step 6: Tilt spa Cover down with the help of the hydraulic lifts

Cover Captain Warranty: one year full replacement of any defective parts without charge for labor or materials. (This excludes the cost of freight to and from the manufacturer)

Exclusions:

- This warranty does not cover damages incurred by the use of the Cover Captain other than what has been depicted as normal use in this literature.
- Defects in components of any part, which are not part of the Cover Captain.
- Improper installation, normal fading and minor deterioration caused by exposure to the sun, rain, snow, chemical or other environmental factors.
- Misuse, abuse, negligence, accidents, alterations or disassembling factory parts, other than authorized by Outdoor solutions Inc
- Use of solvents, abrasive cleaners or brushes and strong detergents.

Additions:

- Outdoor Solutions Inc, shall not be liable for consequential damages or incidental expenses resulting from any breach of the before mentioned warranties.
- This warranty gives you specific legal rights and you may have other rights which can vary in different states and countries.
- Any dispute between Buyer and Outdoor Solutions Inc. pertaining to this warranty may, at the option of the Buyer, be resolved in the State of Florida USA, in according to the rules of the American Arbitration Association.
- Should any one or more of the terms, provisions, covenants, or conditions of this warranty be determined void, invalid, illegal or unlawful in any respect, then shall be so, however it will not affect any of the other terms or provisions of this warranty and the remainder hereof shall still be in effect.