

MAGNEPLANAR® MMG C

Instruction Manual

White Bear Lake, Minnesota

www.magnepan.com

1. GENERAL DESCRIPTION

Congratulations on your purchase of the Magneplanar® MMG C Center Channel Loudspeaker. The Magneplanar was conceived and designed for perfectionists. The MMG C consists of a curved, one-way planar magnetic driver. Due to the elegant simplicity and ruggedness of the design, the Magneplanar MMG C Center Channel will give many years of trouble-free service.

2. CARTON CONTENTS

- 1 - MMG C Center Channel Loudspeaker
- 1 - 4 Amp Normal Blow Fuse
- 1 - Hex Wrench
- 1 - Speaker Emblem
- 1 - Owners Manual

3. PACKAGING

Save all packaging. If you ever need to ship the MMG C, it can be shipped safely only in the original packaging. Should you discard it, packaging is available from Magnepan.

4. HOOKUP

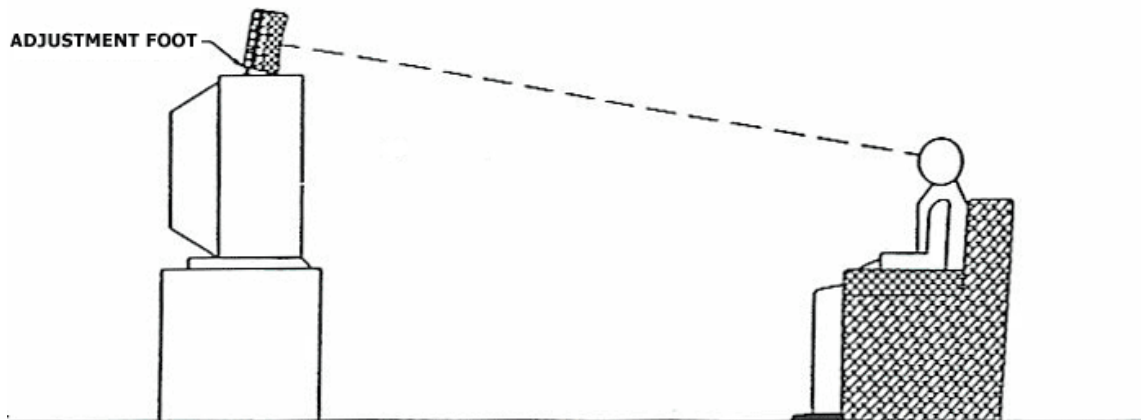
The MMG C employs a unique, high-current connector. To install speaker cable, simply strip approximately 1/4-inch of insulation from the speaker cable end, insert the cable into the connector, and tighten the set screw. Cables terminated with banana plugs or pins may also be used. For cables terminated with spade lugs, spade lug adapters are available for purchase from Magnepan.

Proper phasing is critical in obtaining good performance from your home theater system. Double check all of your connections to be certain the left, right, and center speakers are all connected in phase.

5. INSTALLATION PLACEMENT

A. INSTALLATION ON A TV

The MMG C may be placed on top of a TV monitor as shown below. Magnetic shielding is not required. To achieve the smoothest vertical response, rotate the adjustment feet located on the bottom of the speaker. Adjust until the speaker is aimed approximately at the listener's head, as shown below.



B. INSTALLATION IN A CABINET

The MMG C may be placed above or below the TV monitor in a cabinet. If the speaker is placed in an enclosed part of the cabinet, a space of 12" or more is required behind the speaker for damping material.

Starting at the rear of the cabinet, LOOSELY pack insulation in the cavity behind the speaker. Leave an empty space of about 6 inches between the rear of the speaker and the insulation.

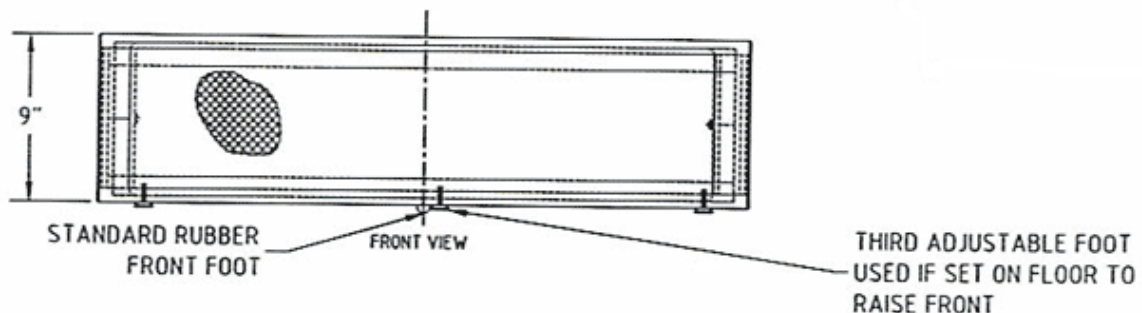
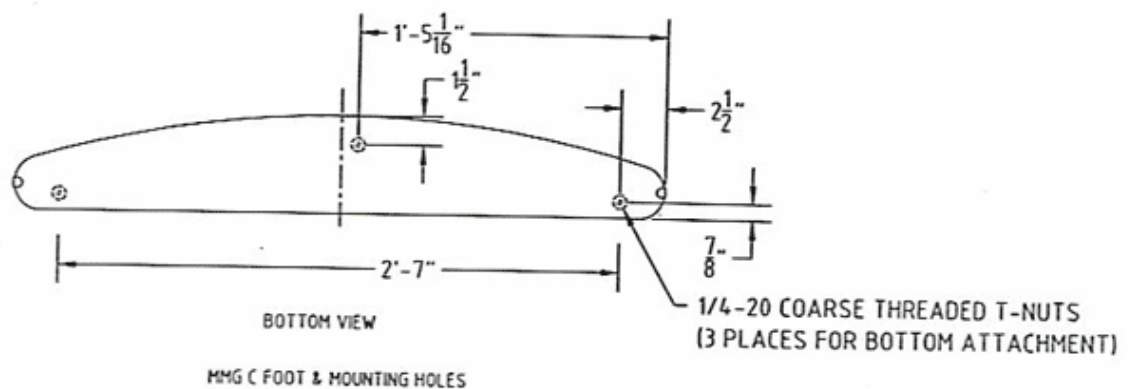
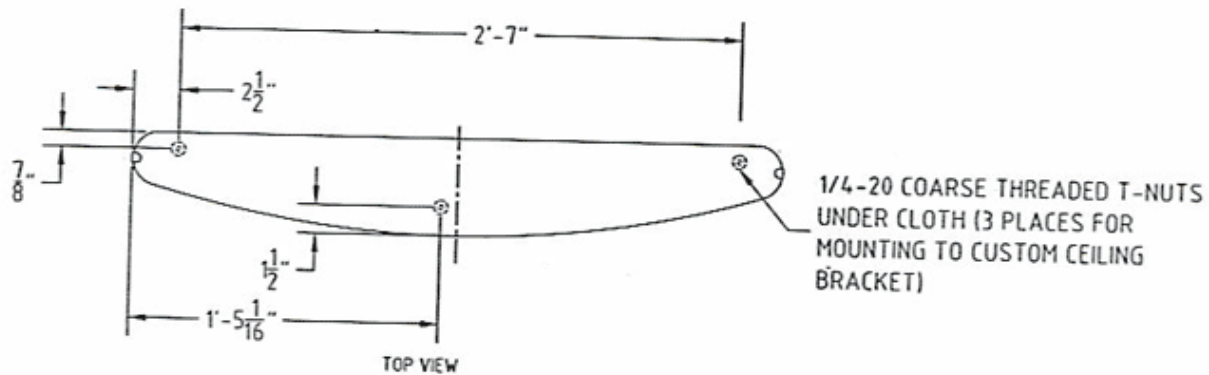
Whenever possible, the rear of the cabinet should be vented or left open to allow the rear wave from the MMG C to escape.

If the speaker is placed below the TV or screen, the speaker can be tilted upward by removing the 2 existing adjustable feet. Locate the front T nut shown in the following diagrams. Using a hot soldering iron, burn a hole in the fabric to allow installation of an adjustable foot in the front T nut. If the speaker is placed below the TV or screen, the speaker can be tilted upward by removing the 2 existing adjustable feet. Locate the front T-nut shown in the following diagrams.

Again, for the smoothest response, tilt the MMG C to aim it approximately at the listener's head as shown above.

C. INSTALLATION USING BUILT- IN "T" NUTS

As shown below, there are 3 "T" nuts built into the top and bottom of the MMG C, at the designated locations. These built-in T nuts allow hanging or any other type of installation you may devise. Carefully burn a hole in the cloth with a hot soldering tip or a method that will seal the hole in the cloth. Eye-bolts or hooks may be installed in the built-in nuts, and use 1/4-inch X 20-inch threads.



D. DAMPING

When the MMG C is placed close to a rear wall, the sound quality can usually be improved with a damping material, such as a wall hanging, behind the speaker.

6. PROCESSOR SETTINGS

Set your receiver or processor on "small" speaker for the center channel, and "large" or "full range" for the left/right speakers. (This does not apply if the MC1 or MMG W are used as front left/right speakers.) Set the MMG C crossover point at 100Hz. Try higher crossover points to achieve natural reproduction of male voice. Depending upon your room conditions and the center channel placement, a different crossover point from 100Hz may be needed.

Even though you will probably be using a subwoofer, set your receiver or processor for "no subwoofer." This may seem strange, but it is necessary for the proper integration of the center channel bass. To drive your subwoofer, use a pre-amp output from the front left/right of the processor or receiver. (It may be necessary to use Y adapters.)

How (and why) this setup works-normally, when "small" center speaker is specified, the center channel bass is routed to the subwoofer. In reality, this doesn't work very well, especially for Magneplanars. There is usually a frequency "hole" in the response or the sonic integration is poor. When "no subwoofer" is specified, the processor automatically routes the center channel bass to the front left/right "full range" Magneplanars (because there is no alternative). The front left/right Magneplanars provide the bass for the center channel speaker; and the integration is seamless, having the same characteristics as the MMG C.

Since the signal from the front left/right pre-amp outputs is "full range," the subwoofer receives all the bass information. The .1 channel (effects) is not needed. Adjust the subwoofer crossover point so it does not overlap with the "full range" front left/right Magneplanars.

7. AMPLIFICATION

WARNING: The MMG C is a 5 ohm speaker. Be certain the amplifier or receiver you are using is capable of driving a 5 ohm load. If you are uncertain, call the manufacturer of the amplifier.

8. **SPECIFICATIONS**

System Description: Curved, one-way planar magnetic dipole loudspeaker

Frequency Response: 100Hz - 16kHz \pm 5dB

Recommended Power: See "Frequently Asked Questions" on our web site at www.magnepan.com

Sensitivity: 88dB @ 2.83V/1 Meter/500Hz

Impedance: 5 Ohms

Dimensions: 36" W X 9" H X 5-1/2" D

Warranty: Limited 3-Year to Original Owner Shipping

Weight: 18 Lbs.