

Installation and service instructions

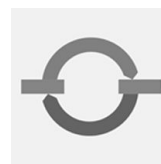
for contractors

VIESSMANN

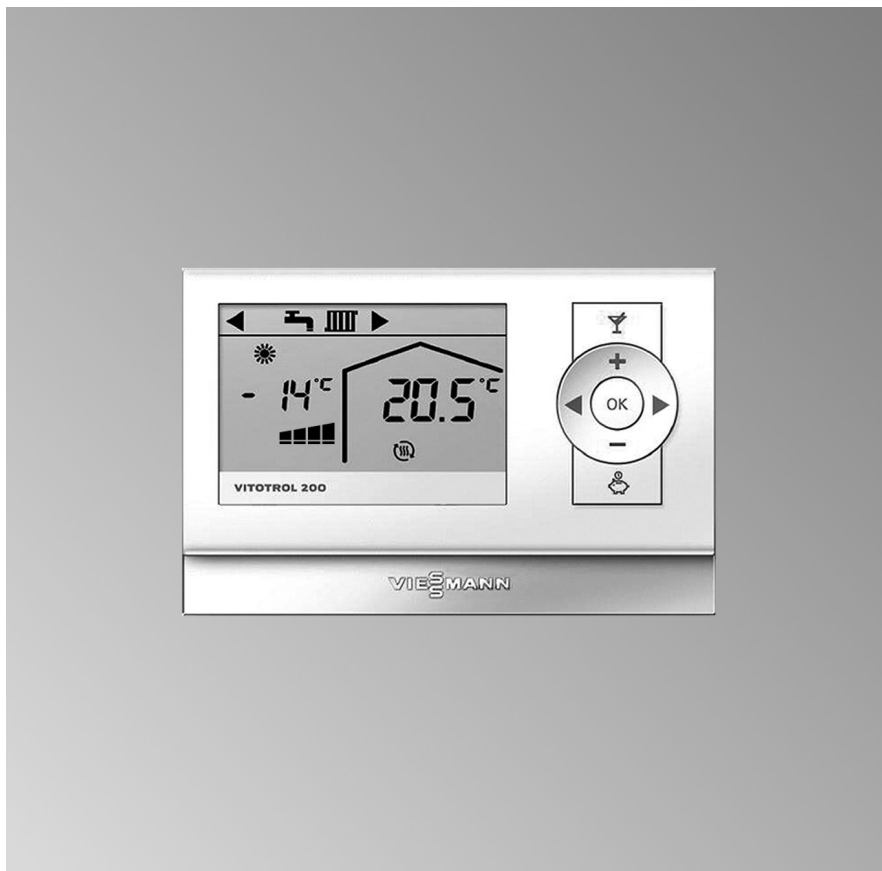
Vitotrol 200 RF

Wireless remote control for one heating circuit

For applicability, see the last page



VITOTROL 200 RF



Safety instructions



Please follow these safety instructions closely to prevent accidents and material losses.

Safety instructions explained



Danger

This symbol warns against the risk of injury.



Please note

This symbol warns against the risk of material losses and environmental pollution.

Note

Details identified by the word "Note" contain additional information.

Target group

These instructions are exclusively designed for qualified personnel.

- Work on gas equipment must only be carried out by a qualified gas fitter.
- Work on electrical equipment must only be carried out by a qualified electrician.
- The system must be commissioned by the system installer or a qualified person authorised by the installer.

Regulations

Observe the following when working on this system

- all legal instructions regarding the prevention of accidents,
- all legal instructions regarding environmental protection,
- the Code of Practice of relevant trade associations,

- all current safety regulations as defined by DIN, EN, DVGW, TRGI, TRF, VDE and all locally applicable standards,
- Gas Safety (Installation & Use) Regulations
 - the appropriate Building Regulation either the Building regulations, the Building Regulation (Scotland), Building Regulations (Northern Ireland),
 - the Water Fittings Regulation or Water Bylaws in Scotland,
 - the current I.E.E. Wiring Regulations.

If you smell gas



Danger

Escaping gas can lead to explosions which may result in serious injury.

- Never smoke. Prevent naked flames and sparks. Never switch lights or electrical appliances ON or OFF.
- Close the gas shut-off valve.
- Open windows and doors.
- Remove all people from the danger zone.
- Notify your gas or electricity supplier from outside the building.
- Shut off the electricity supply to the building from a safe place (outside the building).

Safety instructions (cont.)

If you smell flue gas



Danger

Flue gas can lead to life-threatening poisoning.

- Shut down the heating system.
- Ventilate the boiler room.
- Close all doors leading to the living space.

Working on the system

- When using gas as fuel, also close the main gas shut-off valve and safeguard against unauthorised reopening.
- Isolate the system from the power supply and check that it is no longer 'live', e.g. by removing a separate fuse or by means of a main isolator.
- Safeguard the system against unauthorised reconnection.



Please note

Electronic modules can be damaged by electro-static discharges.

Touch earthed objects, such as heating or water pipes, to discharge static loads.

Repair work



Please note

Repairing components which fulfil a safety function can compromise the safe operation of your heating system.

Replace faulty components only with original Viessmann spare parts.

Ancillary components, spare and wearing parts



Please note

Spare and wearing parts which have not been tested together with the heating system can compromise its function. Installing non-authorised components and non-approved modifications/conversion can compromise safety and may invalidate our warranty. For replacements, use only original spare parts from Viessmann or those which are approved by Viessmann.

Index

Installation instructions

Installation sequence

Usage information.....	5
Installation location.....	5
Commissioning the Vitotrol 200 RF.....	6
Checking the transmission and reception quality at the installation site.....	8
Fitting the wall mounting base.....	9
Inserting and removing the remote control.....	9
Changing the heating circuit assignment following commissioning.....	10
Changing the display contrast.....	11

Service instructions

Troubleshooting

Fault display.....	12
--------------------	----

Specification.....	13
--------------------	----

Parts list.....	14
-----------------	----

Usage information

The Vitotrol 200 RF can be connected to a Vitotronic control unit only in conjunction with the associated wireless base station.

Up to three Vitotrol 200 RF can be logged on at the same time at the wireless base station of a Vitotronic control unit.

Installation location

Operation with or without room temperature hook-up

■ Weather-compensated mode

Installation in any room.

■ Operation with room temperature hook-up

- On an internal wall in the main living room, at a height of approx. 1.5 m from the floor
- Not near windows or doors
- Not above radiators
- Not near heat sources (direct sunlight, fireplace, TV set etc.)

Do not install further control devices in this room. Any thermostatic radiator valves must always be fully opened.

Wireless connection

Select the installation site of the Vitotrol 200 RF and the wireless base station so that the radio signals are beamed as vertically as possible onto walls and furnishings.



Installation and service instructions, wireless base station

Note

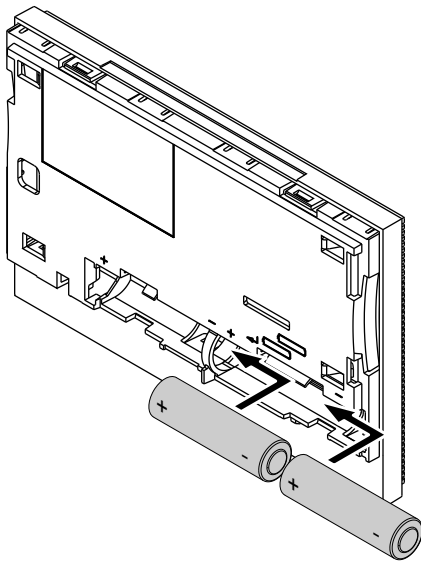
Conducting metallic materials have a strong negative effect on reception.

Prior to the final fitting at the preferred installation site, commission the Vitotrol 200 RF and check the transmission and reception quality at the installation site.

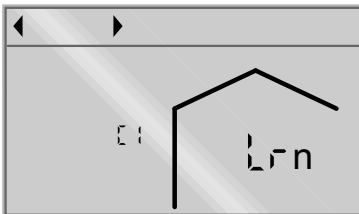
Commissioning the Vitotrol 200 RF

Prior to commissioning, observe the following:

- The wireless base station must be connected with the control unit via a KM BUS.
- The control unit to which the wireless base station is connected must be switched on.

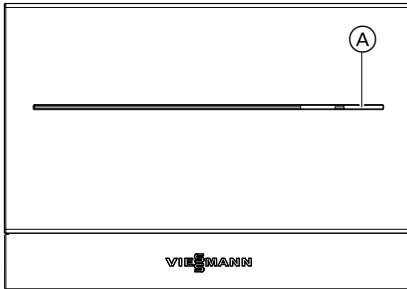


1. Site all the Vitotrol 200 RF near the wireless base station.



2. Insert batteries (LR 6/AA, included in the standard delivery) into the remote control unit.
The configuration assistant then starts automatically.
The display shows "Cl" and "Lrn" flashes.


Commissioning the Vitotrol 200 RF (cont.)



3. Press **A** on the wireless base station:
 - Operation **without** wireless repeaters: for 4 s. The green LED on the wireless base station flashes slowly.
 - Operation **with** wireless repeaters: for 8 s. The green LED on the wireless base station flashes quickly.



Installation and service instructions, wireless base station



4. On the remote control, press **OK**. The remote control unit transmits a signal to log on at the wireless base station.
 - Log on successful: The display shows "**C2**" and "**000**" (first digit flashes).
 - Log on unsuccessful: The display shows " _ _ _ _ " and . Repeat the log on process.
5. Following successful log on, enter the 3-digit PIN at the remote control. The PIN is printed on the protective foil on the front of the wireless base station.
 - With **+/-** enter the first digit, then confirm with **OK**.
 - With **▶** select the next position and enter the next figure with **+/-**.
 - Confirm each entry with **OK**.
6. After the complete PIN has been entered, "**C3**" and "**H 1**" will be shown. Then assign the required heating circuit (see the following chapter).

Commissioning the Vitotrol 200 RF (cont.)

Assigning a heating circuit

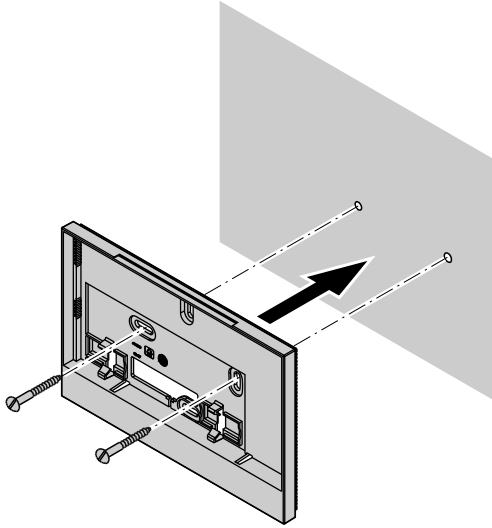
1. Select the required heating circuit with +/-:
 - Heating circuit 1 – "H 1"
 - Heating circuit 2 – "H 2"
 - Heating circuit 3 – "H 3"
2. **OK** to confirm.
The operating state of the heating system is transferred.
The display segments rotate (for up to 5 min).

Checking the transmission and reception quality at the installation site

1. Position the Vitotrol 200 RF at its intended installation site.
2. Press **OK** and  simultaneously for approx. 4 s.
The display shows "dl" and "H .." for the assigned heating circuit.
3. Call up a display of the transmission and reception quality with :
 - "d2": Vitotrol 200 RF
 - "d3": Wireless base station
 - "d4": Outside temperature sensor RF
 See the following table.
4. If the transmission and reception quality is inadequate, either select a different installation site and repeat the check or use a wireless repeater.

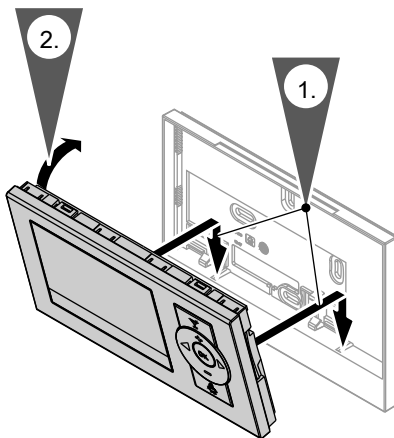
Display	Value	Transmission and reception quality
■■■■	0 to - 78	extremely good
■■■_	- 79 to - 83	good
■■__	- 84 to - 87	adequate
■___	- 88 to - 91	inadequate
----	- 92 to - ...	no reception

Fitting the wall mounting base



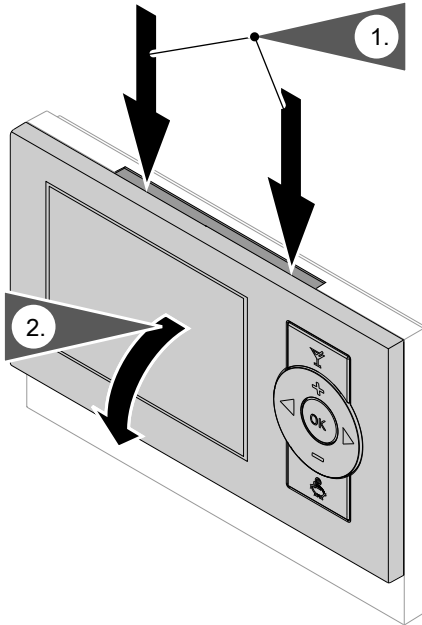
Inserting and removing the remote control

Insertion



Inserting and removing the remote control (cont.)

Removal



Changing the heating circuit assignment following commissioning

1. Press \uparrow and \downarrow simultaneously at the remote control for approx. 4 s.
2. With \leftarrow / \rightarrow select "C3".
3. With +/- select heating circuit 1 ("H 1"), heating circuit 2 ("H 2") or heating circuit 3 ("H 3").
4. **OK** to confirm.
The operating state of the heating system is transferred.
The display segments rotate (for up to 5 min).




Adjustments at the Vitotronic control unit:
Set coding address "A0" for this heating circuit at the control unit to 0 (fault message bC, bd, bE).

Changing the heating circuit assignment... (cont.)



Installation and service instructions or service instructions of the control unit

Changing the display contrast

1. Press  and  simultaneously at the remote control for approx. 4 s.
2. With  select "C4".
3. Change the contrast with +/-.
In the delivered condition, an average value (3) has been set.
4. **OK** to confirm.

Fault display

The Δ symbol flashes on the display if a fault has occurred.



For troubleshooting, see the installation and service instructions of the relevant control unit.

If the display shows "____" and Δ , then the wireless connection has been lost or has not yet built.

For troubleshooting, log components off and then back on again. If required, use wireless repeaters (accessories).



Installation and service instructions, wireless base station.

Specification

Power supply	2 batteries LR 6/AA/ Mignon 3 V–, 2600 mAh
Battery service life	approx. 2 years
Radio frequency	868.3 MHz
Safety category	III
IP rating	IP 30
Permissible ambient temperature	
■ during operation	0 to +40 °C
■ during storage and transportation	–20 to +65 °C
Set room temperature range	3 to 37 °C

Parts list

Parts list

When ordering spare parts

Quote part no. **7441652** and the position no. of the part (as per this parts list).

Obtain standard parts from your local supplier.

Parts not shown

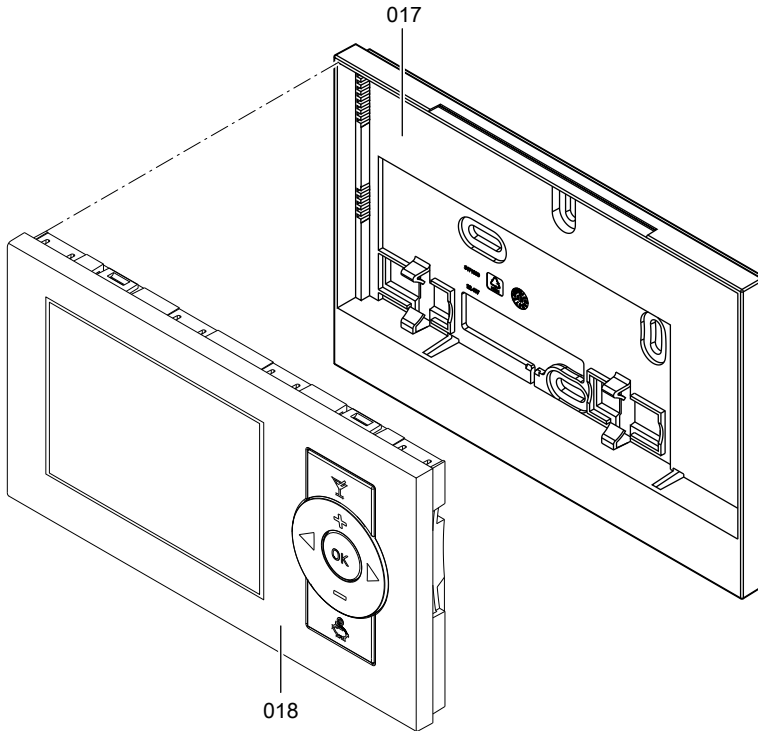
080 Installation and service instructions

081 Operating instructions

Parts

017 Wall mounting base

018 Programming unit





Applicability

Serial No.:
7441652

Viessmann Werke GmbH&Co KG
D-35107 Allendorf
Telephone: +49 6452 70-0
Fax: +49 6452 70-2780
www.viessmann.com

Viessmann Limited
Hortonwood 30, Telford
Shropshire, TF1 7YP, GB
Telephone: +44 1952 675000
Fax: +44 1952 675040
E-mail: info-uk@viessmann.com

5602 119 GB Subject to technical modifications.



Printed on environmentally friendly,
chlorine-free bleached paper