

# Installation instructions

for contractors



**Vitotrol 100**  
**Type UTDB**

Room temperature controller with digital time switch

## **VITOTROL 100**



## Safety instructions



Please follow these safety instructions closely to prevent accidents and material losses.

### Safety instructions explained



#### **Danger**

This symbol warns against the risk of injury.

#### **Note**

*Details identified by the word "Note" contain additional information.*

### Target group

These instructions are exclusively intended for qualified contractors.

- Work on gas installations must only be carried out by a registered gas fitter.
- Work on electrical equipment must only be carried out by a qualified electrician.

### Regulations

Observe the following when working on this system:

- Statutory regulations regarding the prevention of accidents
- Statutory regulations regarding environmental protection
- The Code of Practice of relevant trade associations
- all current safety regulations as defined by DIN, EN, DVGW, TRGI, TRF, VDE [and all local standards].
  - Ⓐ ÖNORM, EN, ÖVGW-TR Gas, ÖVGW-TRF and ÖVE
  - ⒸH SEV, SUVA, SVGW, SVTI, SWKI, VKF and EKAS guideline 1942: LPG, part 2

### Working on the system

- Isolate the system from the power supply (e.g. by removing the separate fuse or by means of a mains isolator) and check that it is no longer 'live'.
- Safeguard the system against reconnection.
- Where gas is used as the fuel, close the main gas shut-off valve and safeguard it against unintentional reopening.

# Index

## Preparing for installation

Installation site.....	4
------------------------	---

## Installation sequence

Opening the Vitotrol 100.....	5
Fitting the wall mounting base.....	5
Electrical connection to the control unit.....	6
■ Connection to the control unit with plug <b>96</b> .....	7
■ Connection to the control unit with terminals "X1".....	8
■ Connection to the control unit with plug <b>56</b> .....	9
■ Connection to the control unit with plug <b>103</b> .....	9
■ Connection to the control unit with plug "CN2".....	10
■ Connection to the control unit with terminals "X3".....	10
■ Connection to the control unit with terminal strip.....	11
Electrical connection to the pump/mixer.....	12
■ Connecting the heating circuit pump.....	12
■ Connecting the mixer motor.....	13
Replacing a control unit RT or clock thermostat F.....	14
Assembling the Vitotrol 100.....	15
Commissioning.....	16

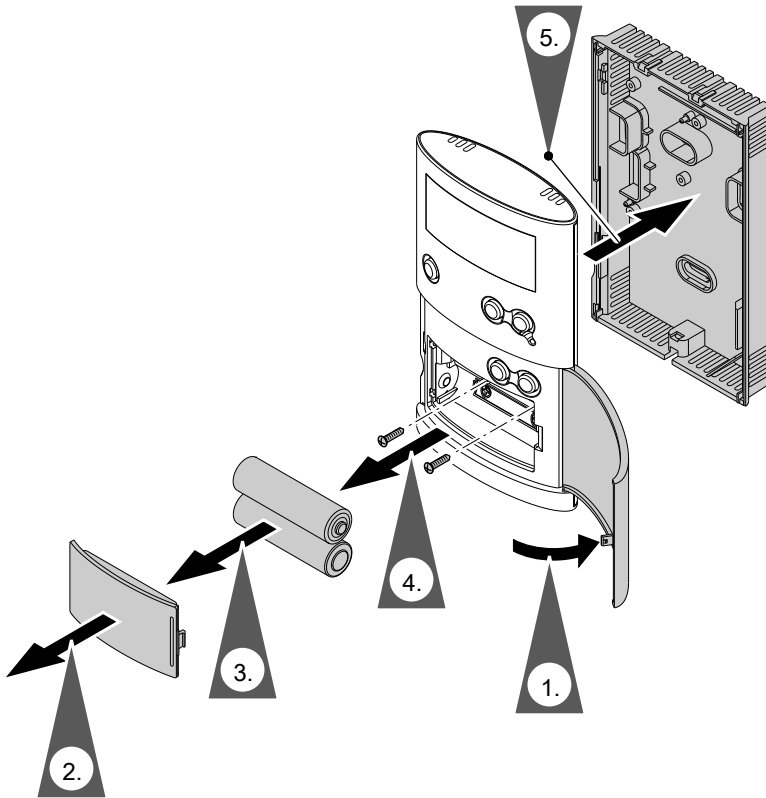
<b>Specification</b> .....	17
----------------------------	----

## Installation site

- On an internal wall in the main living room, at a height of approx. 1.5 m from the floor
- Not next to windows or doors
- Not above radiators
- Not on shelves, in recesses, etc.
- Not near heat sources (direct sunlight, fireplace, TV set, etc.)

Never install further control devices in this main living room. If the radiators are equipped with thermostatic valves, these must always be fully opened.

## Opening the Vitotrol 100

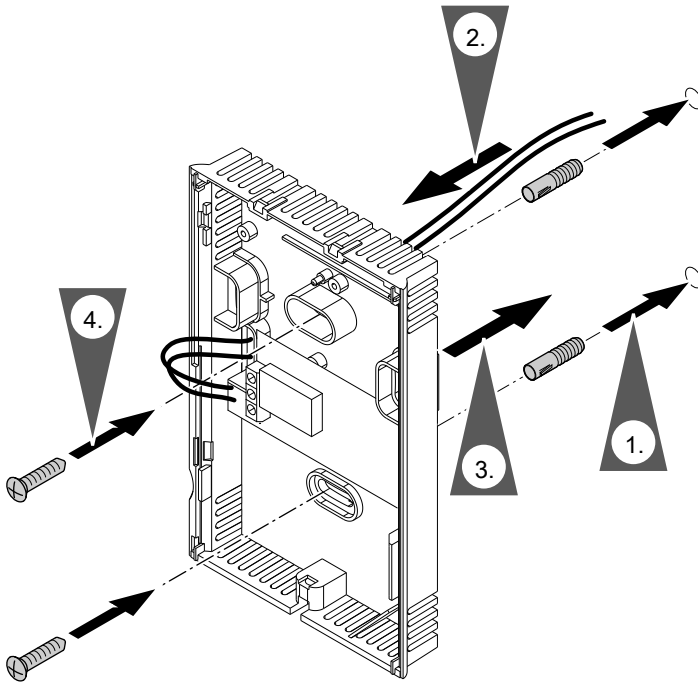


## Fitting the wall mounting base

Power is supplied by batteries (see chapter "Specification").

For the connection to the control unit, see the following chapter.

## Fitting the wall mounting base (cont.)



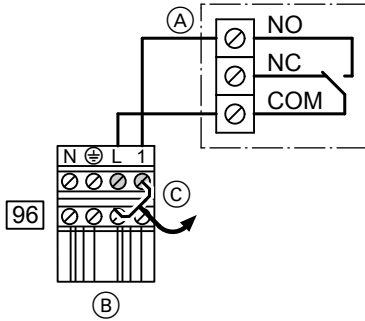
## Electrical connection to the control unit

### **Note**

*Press cables flat into the wall mounting base.*

## Electrical connection to the control unit (cont.)

### Connection to the control unit with plug 96

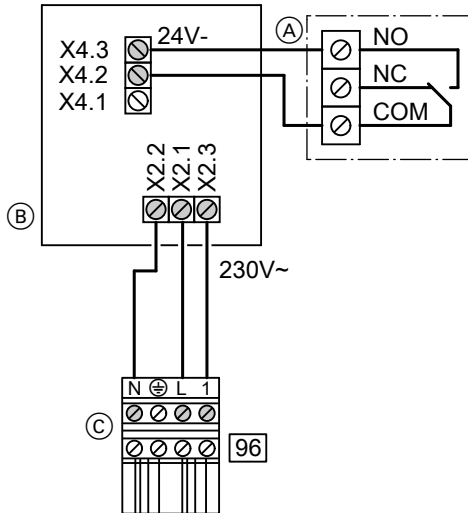


Recommended connecting cable

- 2-core cable with a cross-section of 1.5 mm<sup>2</sup> for 230 V~

- (A) Vitotrol 100
- (B) Plug 96 to the control unit
- (C) Jumper, remove when making this connection.

### Connection to the external extension H4



- (A) Vitotrol 100

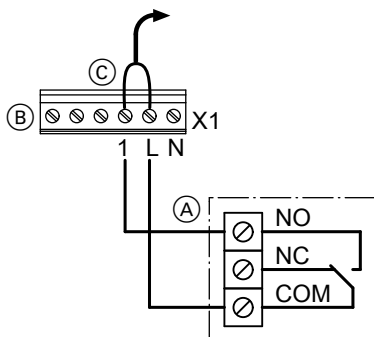
## Electrical connection to the control unit (cont.)

- (B) External extension H4 for Vitopend and Vitodens
- (C) Plug 96 to the control unit

Recommended connecting cable

- 2-core cable with a cross-section of  $0.75 \text{ mm}^2$  for low voltage

### Connection to the control unit with terminals "X1"



The Vitotrol 100 switches the heating circuit pump or the burner.

Recommended connecting cable

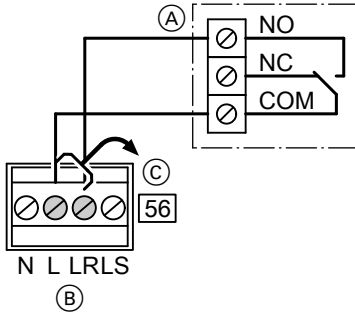
- 2-core cable with a cross-section of  $1.5 \text{ mm}^2$  for 230 V~

- (A) Vitotrol 100
- (B) Terminals "X1" on the control unit
- (C) Jumper, remove when making this connection.



## Electrical connection to the control unit (cont.)

### Connection to the control unit with plug **56**

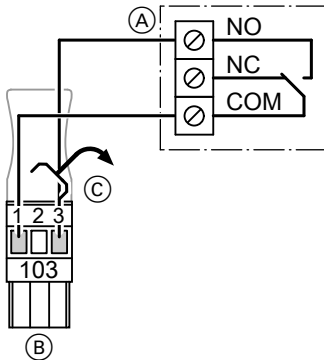


Recommended connecting cable

- 2-core cable with a cross-section of 1.5 mm<sup>2</sup> for 230 V~

- (A) Vitotrol 100
- (B) Plug **56** to the control unit
- (C) Jumper, remove when making this connection.

### Connection to the control unit with plug **103**



The Vitotrol 100 switches the heating circuit pump or the burner.

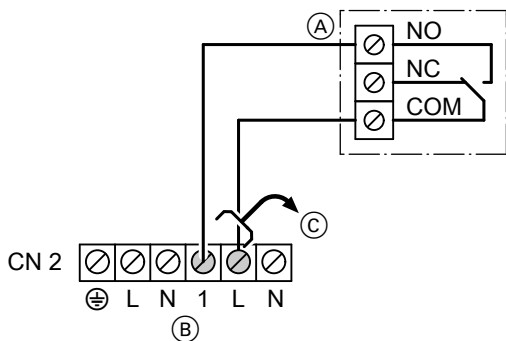
Recommended connecting cable

- 2-core cable with a cross-section of 0.75 mm<sup>2</sup> for low voltage

- (A) Vitotrol 100
- (B) Plug **103** to the control unit
- (C) Jumper, remove when making this connection.

## Electrical connection to the control unit (cont.)

### Connection to the control unit with plug "CN2"



(A) Vitotrol 100

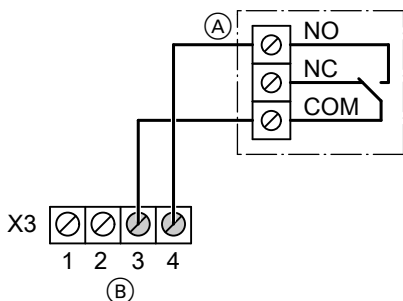
(B) Plug "CN2" at the control unit

(C) Jumper, remove when making this connection.

Recommended connecting cable

- 2-core cable with a cross-section of 1.5 mm<sup>2</sup> for 230 V~

### Connection to the control unit with terminals "X3"



The Vitotrol 100 switches the heating circuit pump or the burner.

Recommended connecting cable

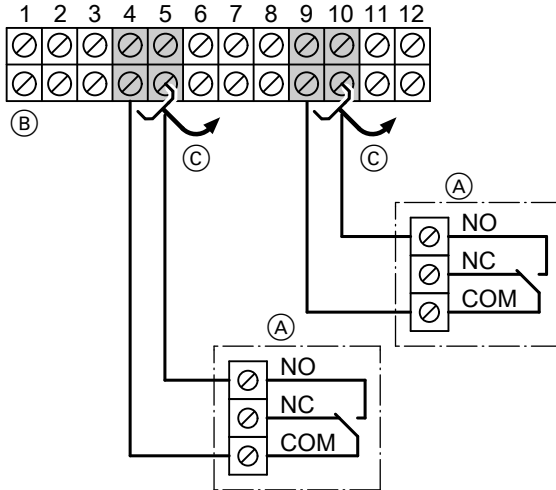
- 2-core cable with a cross-section of 0.75 mm<sup>2</sup> for low voltage

(A) Vitotrol 100

(B) Terminals "X3" on the control unit

## Electrical connection to the control unit (cont.)

### Connection to the control unit with terminal strip



(A) Vitotrol 100

(B) Terminal strip inside the control unit

(C) Jumper, remove when making this connection.

Subject to function, remove jumper (C):

- Terminals 4 and 5:  
The Vitotrol 100 switches the heating circuit pump.
- Terminals 9 and 10:  
The Vitotrol 100 switches the burner.

Recommended connecting cable

- 2-core cable with a cross-section of 1.5 mm<sup>2</sup>

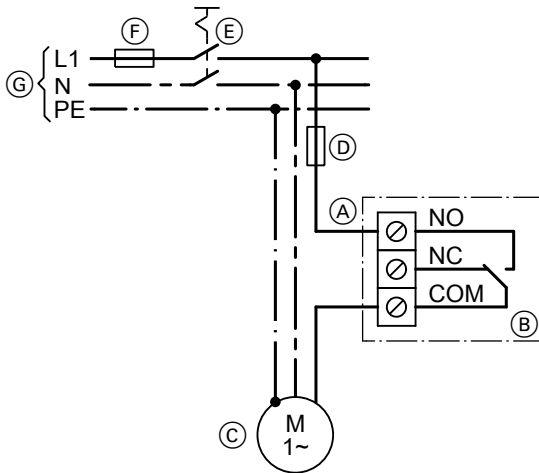
#### Note

There is **no frost protection** when the burner is **switched off**.

## Electrical connection to the pump/mixer

### Connecting the heating circuit pump

The Vitotrol 100 controls the room temperature by starting and stopping the heating circuit pump.



- (A) Vitotrol 100
- (B) The contact position corresponds to heating circuit pump "OFF"
- (C) Heating circuit pump
- (D) Fuse, 6 A
- (E) Mains isolator
- (F) Fuse, max. 16 A
- (G) Power supply 230 V~



#### Danger

Incorrect core allocation can result in serious injury and damage to the appliance.  
Take care not to interchange wires "L1" and "N".

#### Note

The power cable to the Vitotrol 100 **must** additionally be protected with a 6 A fuse.

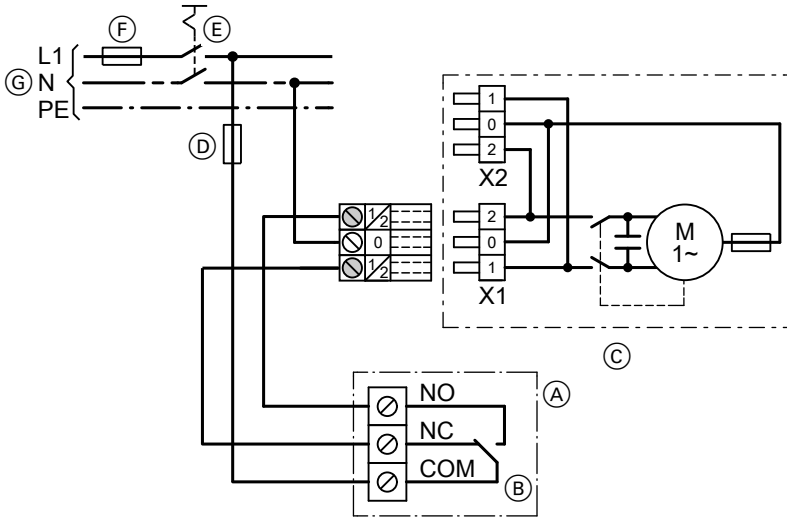
Recommended connecting cable

- 2-core cable with a cross-section of 1.5 mm<sup>2</sup> for 230 V~

## Electrical connection to the pump/mixer (cont.)

### Connecting the mixer motor

The Vitotrol 100 controls the room temperature by opening and closing the mixer.



- (A) Vitotrol 100
- (B) The contact position corresponds to mixer "Close"
- (C) Mixer motor
- (D) Fuse, 6 A
- (E) Mains isolator
- (F) Fuse, max. 16 A
- (G) Power supply 230 V~

If required, change the rotational direction of the mixer motor:

- Re-plug the socket terminal strip from plug-in strip X1 to X2
- or
- Rotating the plug by 180°



#### Danger

Incorrect core allocation can result in serious injury and damage to the appliance. Take care not to interchange wires "L1" and "N".

Recommended connecting cable

- 2-core cable with a cross-section of 1.5 mm<sup>2</sup> for 230 V~

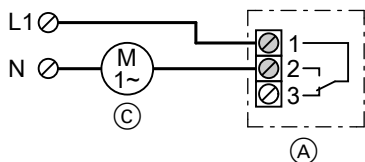
## Electrical connection to the pump/mixer (cont.)

### Note

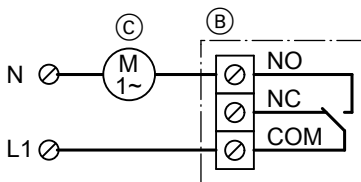
The power cable to the Vitotrol 100 **must** additionally be protected with a 6 A fuse.

## Replacing a control unit RT or clock thermostat F

When there is a heat demand, the contact switches from "COM" to "NO".  
Connection of the component to be switched at contacts "COM" and "NO".

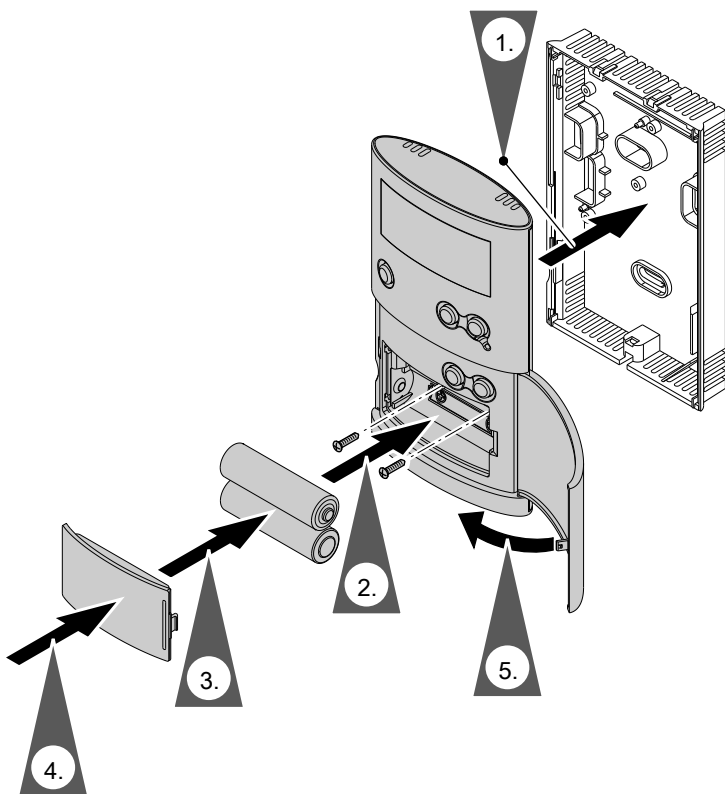


- (A) Control unit RT  
or  
Clock thermostat F
- (C) Component to be switched

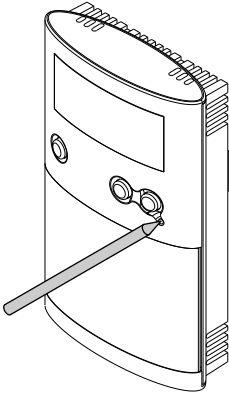


- (B) Vitotrol 100
- (C) Component to be switched

## Assembling the Vitotrol 100



## Commissioning



1. Open the flap.
2. Use a pointed object to press reset.
3. Select language with ▲/▼.
4. Confirm with **OK**.
5. Set current time and date with ▲/▼.
6. Confirm with **OK**.



## Specification

Rated voltage	3 V– 2 batteries LR 6/AA
Rated breaking capacity of the floating contact	
■ Max.	6(1) A, 230 V~
■ Min.	1 mA, 5 V–
Ambient temperature	
■ Operation	0 to 40 °C
■ Storage and transport	-25 to 65 °C
IP rating	IP 20
Safety category	II
Terminals suitable for the following cables:	
■ Solid, single core cables	up to 2.5 mm <sup>2</sup>
■ Flexible cables	up to 2.5 mm <sup>2</sup>





Viessmann Werke GmbH&Co KG  
D-35107 Allendorf  
Telephone: +49 6452 70-0  
Fax: +49 6452 70-2780  
[www.viessmann.com](http://www.viessmann.com)

Viessmann Limited  
Hortonwood 30, Telford  
Shropshire, TF1 7YP, GB  
Telephone: +44 1952 675000  
Fax: +44 1952 675040  
E-mail: [info-uk@viessmann.com](mailto:info-uk@viessmann.com)

5418 851 GB Subject to technical modifications.