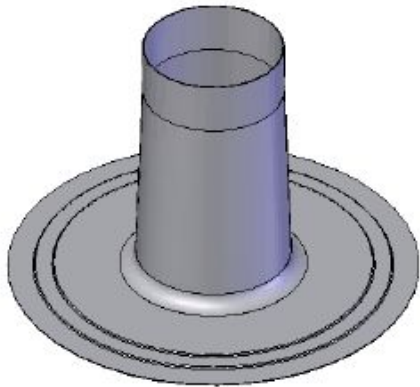


Vertical flue installation

Flat roof collar



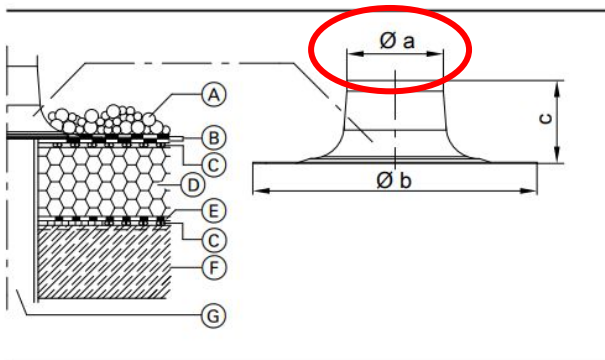
Flat roof collar:

Part no: 7426187

Suitable for 60mm and 80mm

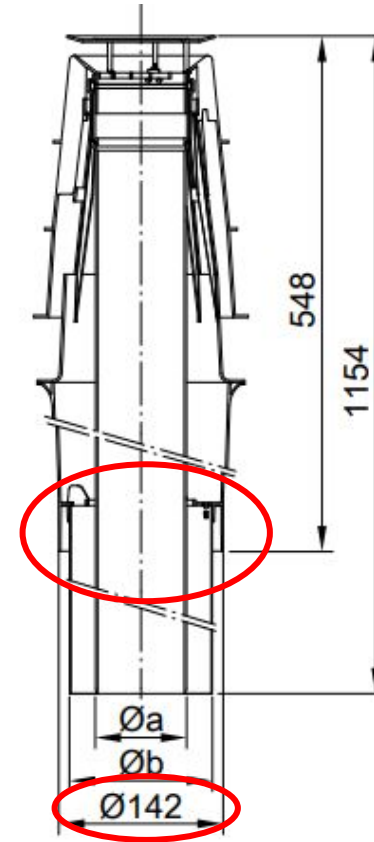
Ø system size

Flat roof collar



System size Ø mm	Dimensions [mm]		
	a	b	c
60	135	390	250
80	135	390	250
110	170	470	250
160	170	450	254
200	220	500	254

- (A) Gravel ballast layer
- (B) Insulation layer
- (C) Ventilation layer
- (D) Thermal insulation
- (E) Insulation
- (F) Ceiling
- (G) Vertical coaxial roof outlet



System size Ø 60 and 80 mm

Vertical roof terminal:

Part no: 7373230 (60/100)
7373271 (80/125)

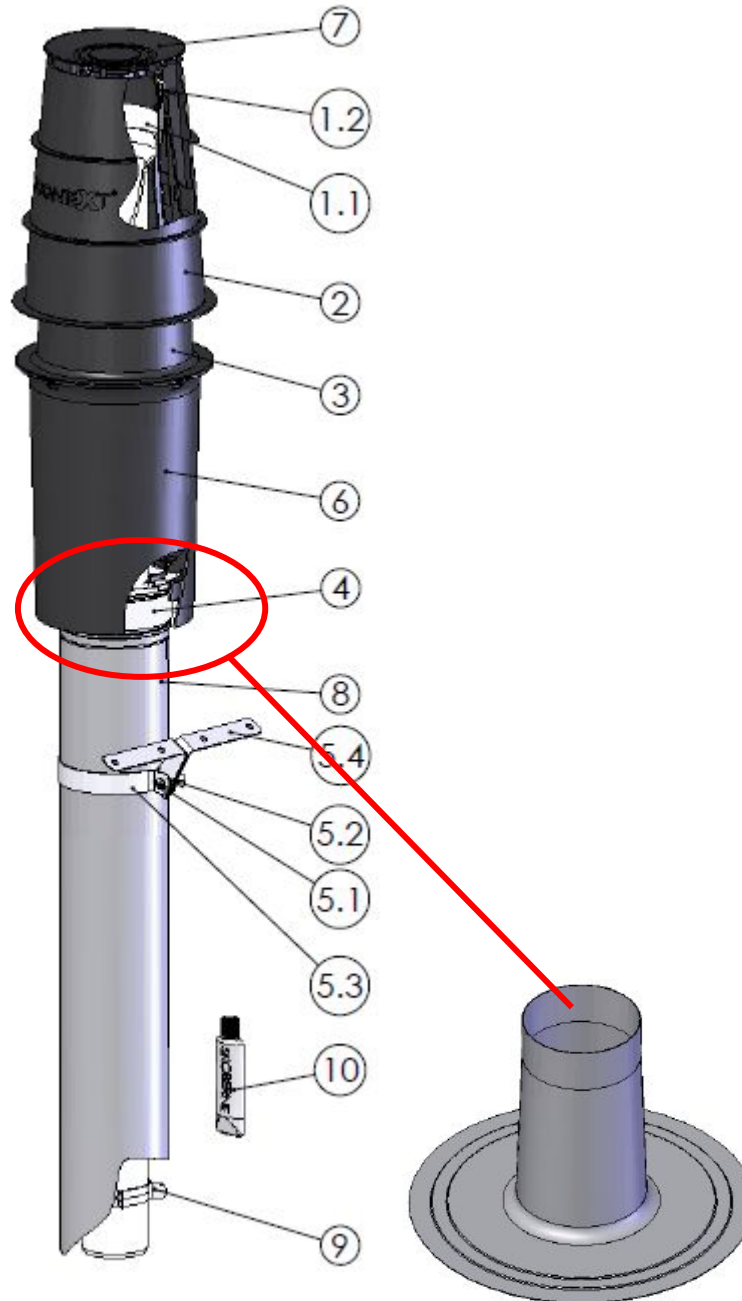
Black plastic outer flue dia
142mm sits on flat roof collar
(dia 135mm)

Vertical flue installation

Flat roof collar

Installing the vertical flue terminal:

1. Cut the vertical flue pipe to required length
2. Insert into flat roof collar until the black sleeve rests onto the collar.
3. Secure vertical flue with bracket (5.1-5.4) to wooden beam of roof



Vertical roof terminal

Flat roof collar

Vertical roof terminal - lower concentric flue part 60/100 or 80/125

