

Formulate Kiosk - 04

FMLT-KIOSK-04

Formulate® Kiosks combine lightweight aluminum tube frames with state-of-the-art printed stretch zipper pillowcase fabric graphics to create funky and functional multimedia kiosks.



We are continually improving and modifying our product range and reserve the right to vary the specifications without prior notice. All dimensions and weights quoted are approximate and we accept no responsibility for variance. E&OE. See Graphic Templates for graphic bleed specifications.

features and benefits:

- Premium aluminum tube frame with spigot assembly
- Easy to store and ship
- Quick to set up
- Pillowcase fabric graphic
- Kit includes: aluminum frame, wooden cabinet with door and a large monitor mount
- Lifetime limited hardware warranty against manufacturer defects

dimensions:

Hardware

Graphic

Assembled unit:
42.13" w x 96" h x 25.59" d
1070mm(w) x 2439mm(h) x 650mm(d)

Refer to related graphic template for more information.

Approximate weight:
193 lbs / 88 kgs

Visit:
www.exhibitors-handbook.com/graphic-templates

Shipping

additional information:

Packing case(s):
2 OCH2

Graphic material:
Dye-sublimation zipper pillowcase fabric

Shipping dimensions:
52" l x 30" h x 14" d
1321mm(l) x 762mm(h) x 335mm(d)

Large monitor mount, can hold 40" - 65" monitor with a max weight of 40 lbs.

Approximate total shipping weight (includes cases & graphics):
199 lbs / 90 kgs

Frame A and Cabinet stand independently of one another, no connection hardware required.

When included in a larger kit, a different packaging solution will be listed to accommodate all contents of the kit. Individual packaging no longer provided.

Panel Colors:



grey

black

white

Tabletop Colors:



silver

black

mahogany

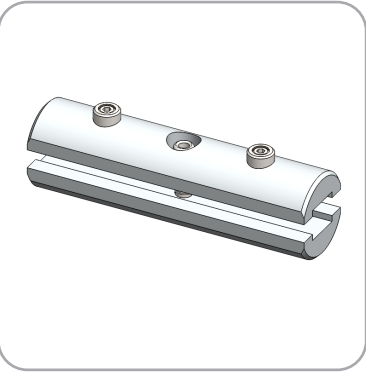
natural

Included In Your Kit

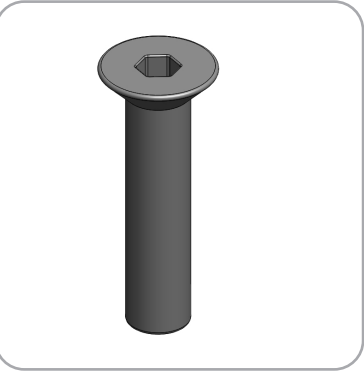
Tools, Components, & Connectors



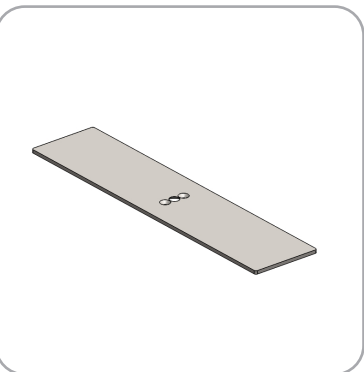
ALLEN KEY SET x1



ES30 x20



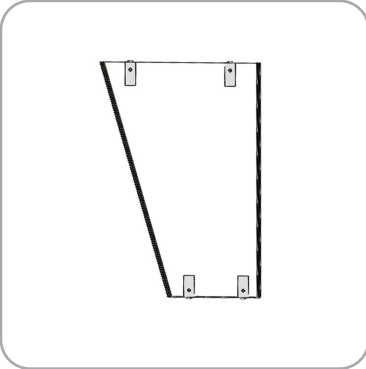
LN114-SCRW x2



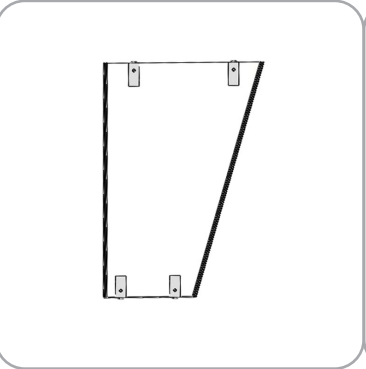
PLT-BP-LN114-S2-650 x2



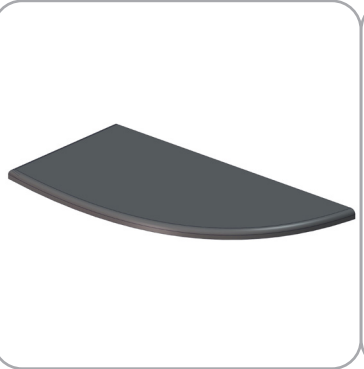
TUBE-LG-MB x1



PNL-FMLT-KIOSK-04-L-1 x1



PNL-FMLT-KIOSK-04-R-1 x1



CT-FMLT-KIOSK-04 x1

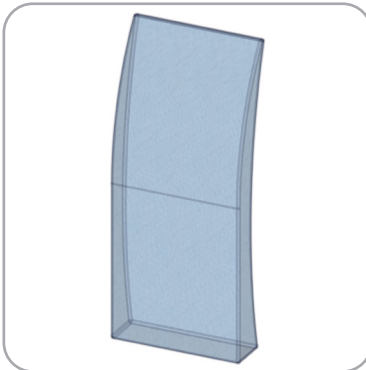


BASE-FMLT-KIOSK-04 x1

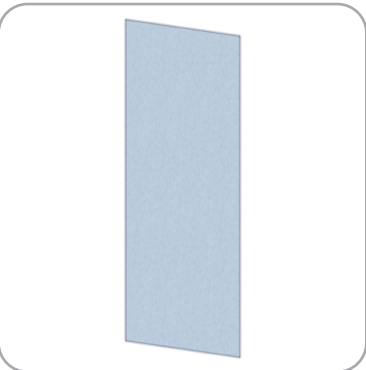


PM3R8-1000-L-L x1

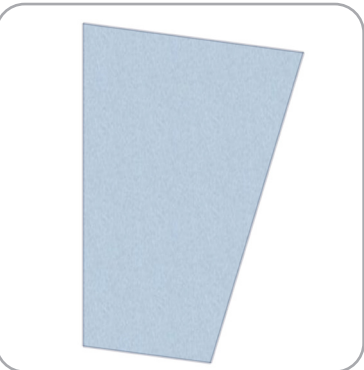
Graphics



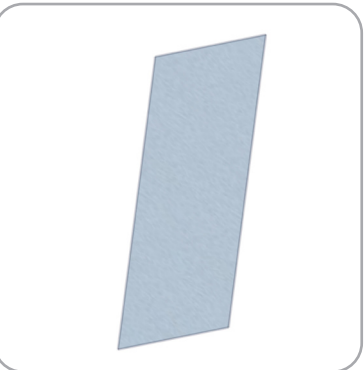
FMLT-KIOSK-04-A-G x1



FMLT-KIOSK-04-B-G x1

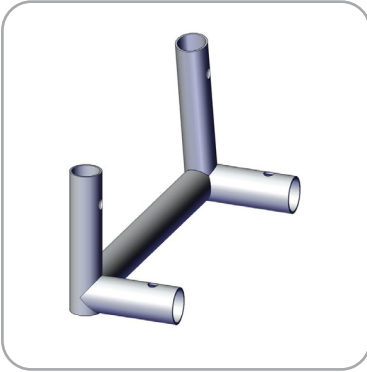


FMLT-KIOSK-04-C-G x1

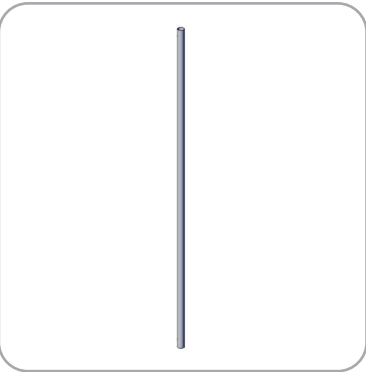


FMLT-KIOSK-04-D-G x1

Included In Your Kit



KIOSK-04-T1 x1



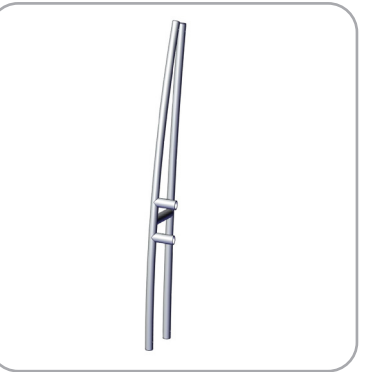
KIOSK-04-T2 x2



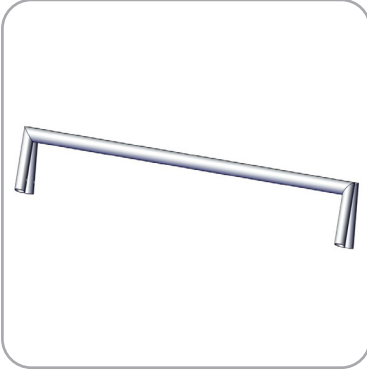
KIOSK-04-T3 x2



KIOSK-04-T4 x1



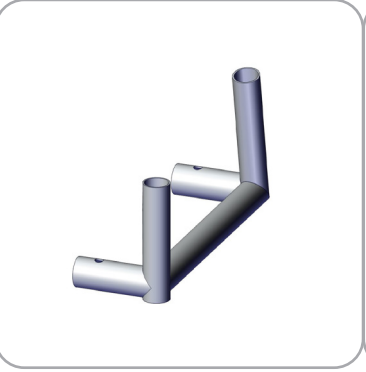
KIOSK-04-T5 x1



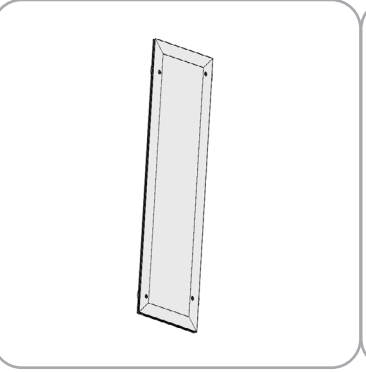
KIOSK-04-T6 x1



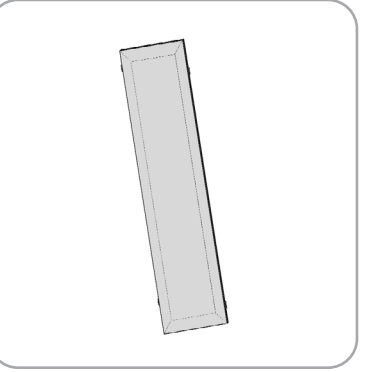
KIOSK-04-T7 x4



KIOSK-04-T10 x1



LP-CD-300-1000 x1

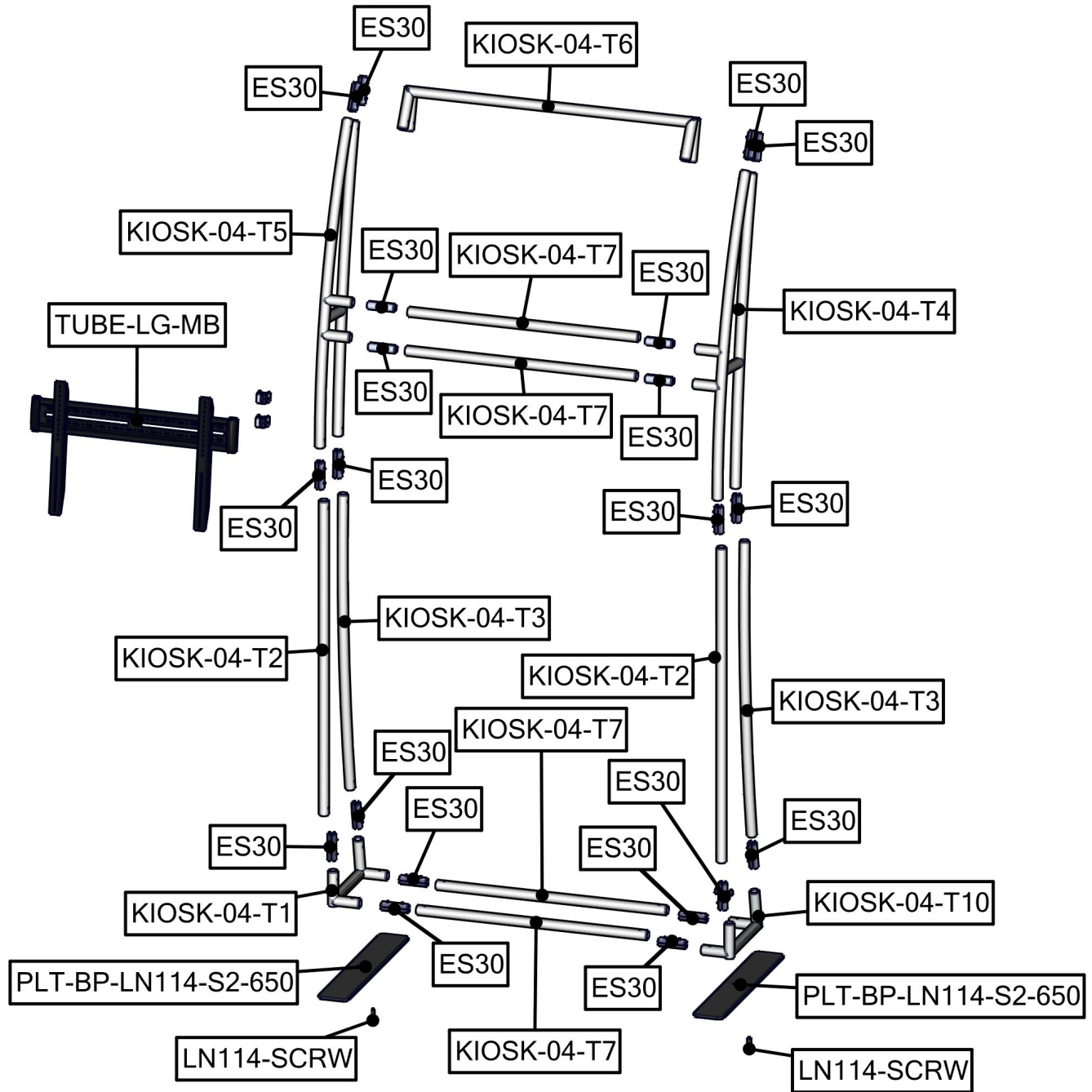


LP-300-1035 x1

Tubes & Components

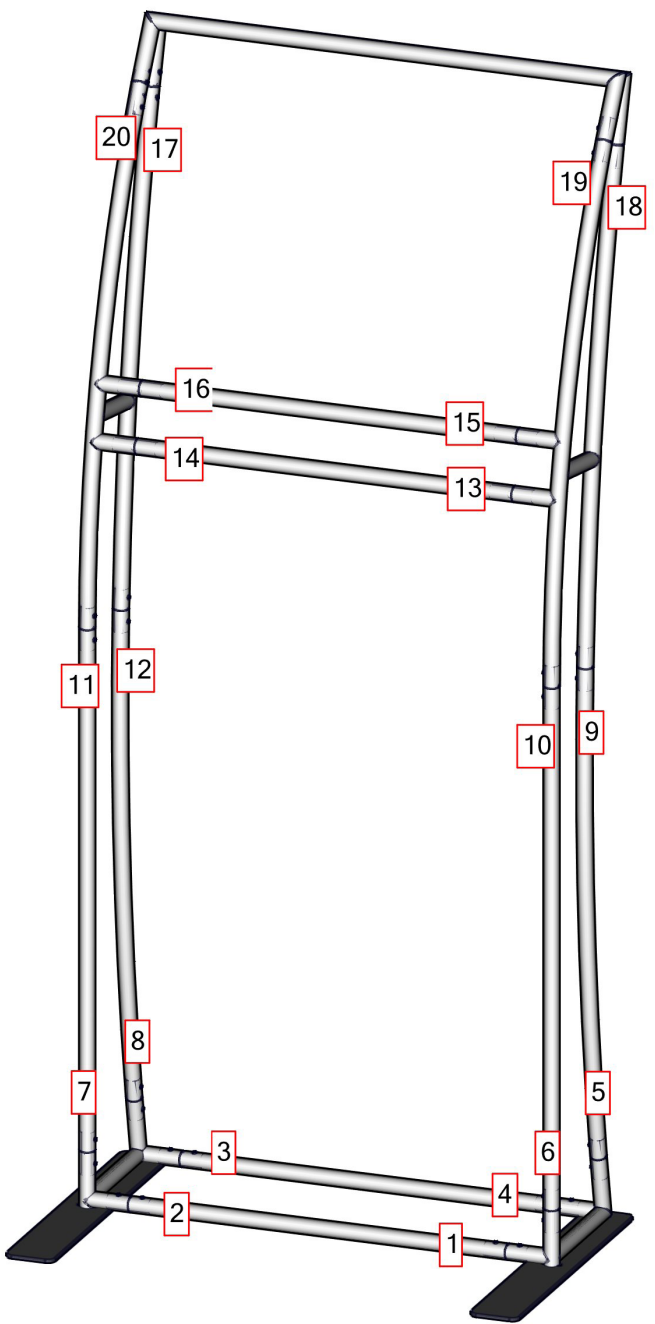
Exploded View

FMLT-KIOSK-04
Frame



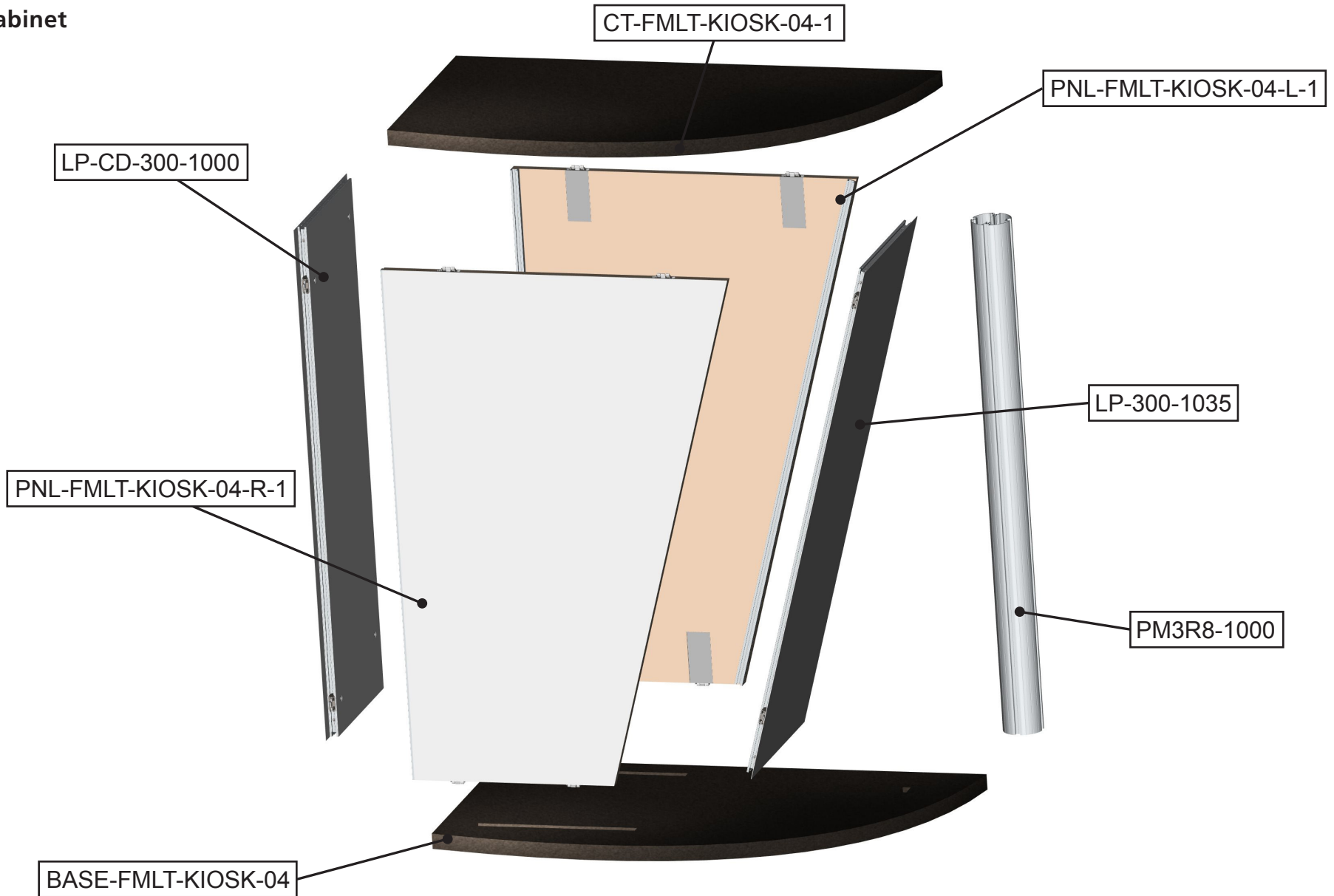
Labeling Diagram

FMLT-KIOSK-04
Frame



Exploded View

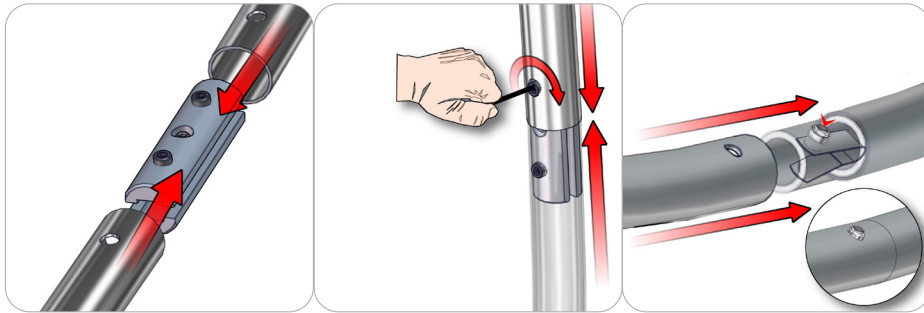
FMLT-KIOSK-04
Cabinet



Frame A and Cabinet stand independently of one another, no connection hardware required.

Connection Methods

Connection Method 1: ES30 / ES50 / SNAP BUTTONS



For spigot connections, compress the unlocked connector and slide into the tube lock access hole. Lock both screws carefully using your allen key tool. Be sure to lock securely, but do not over tighten. For snap button connections, locate the snap button on the connector or swage tube. Locate the hole on the corresponding tube. Press the snap button with your thumb and slide the tube and connector together so that the snap button snaps fully into the lock hole. To disassemble, press the snap button and pull apart.

Connection Method 4: CAM LOCK



First, with the cam lock disengaged, place the cam lock teeth into the extrusion channel. Second, use the allen key tool to lock it in place. Make half turns clock-wise to engage the cam lock. Do not over tighten the lock buttons.

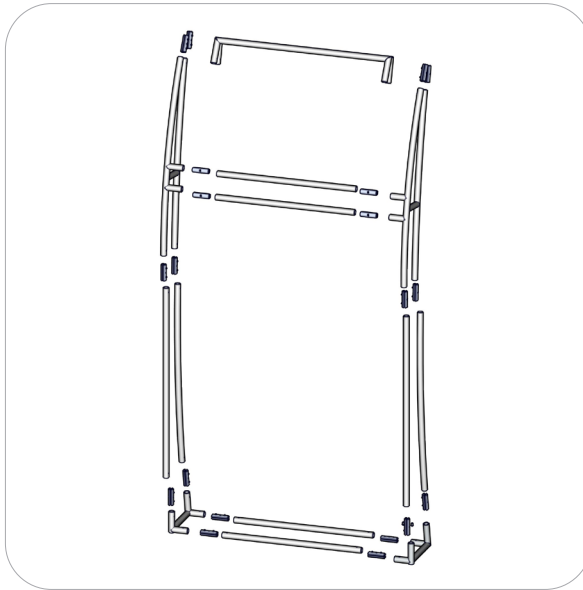
Kit Assembly

Step by Step

Step 1.

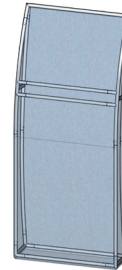
Gather the components to build the frame. Use the Exploded View and the Labeling Diagram for part labels.

Reference Connection Method(s) 1 for more details.



Step 2.

With the frame laid out flat on the floor, apply the pillowcase over the frame and zipper it closed at the bottom.



Step 3.

Gather the components and provided allen key tool to stabilize the frame. Use the Exploded View and the Labeling Diagram for part labels.

Reference Connection Method(s) 2 for more details.



Step 4.

Gather the components for attaching the monitor mount bracket onto the frame.

Reference the monitor mount supplement sheets for more details.



Kit Assembly

Step by Step

Step 5.

Gather the components to attach the sides of the cabinet and the extrusion to the base. Use the Exploded View for labels.

Reference Connection Method(s) 2 for more details.



Step 6.

Using the provided handtool, attach the remaining panels as shown in the diagram to the right. Use the Exploded View and the Labeling Diagram for part labels.

Reference Connection Method(s) 2 for more details.



Step 7.

Open the left panel cabinet door to access and attach the counter top from the inside. Use the Exploded View and the Labeling Diagram for part labels.

Reference Connection Method(s) 2 for more details.



Step 8.

Attach your monitor display onto the monitor bracket and simply move your counter in front of the frame.

Setup is complete.



Monitor Bracket Instructions

Tube Applications



TUBE-SM-MB

Sizes: 17" - 37"

Max weight varies per application

Assembled unit:

9" w x 16" h x 1.4" d
230mm (w) x 410mm (h) x 35mm (d)

Shipping dimensions:

14" l x 6" h x 4" d
356mm (l) x 152mm (h) x 102mm (d)

Approximate total shipping weight:

6 lb / 2.7 kg

VESA:

75 x 75 - 200 x 200mm



TUBE-M-MB

Sizes: 32" - 55"

Max weight varies per application

Assembled unit:

16" w x 16" h x 1.4" d
410mm (w) x 410mm (h) x 35mm (d)

Shipping dimensions:

24" l x 4" h x 4" d
610mm (l) x 102mm (h) x 102mm (d)

Approximate total shipping weight:

7 lb / 3.2 kg

VESA:

100 x 100 - 400 x 400mm



TUBE-LG-MB

Sizes: 40" - 65"

Max weight varies per application

Assembled unit:

24" w x 16" h x 1.4" d
610mm (w) x 410mm (h) x 35mm (d)

Shipping dimensions:

28" l x 6" h x 6" d
711mm (l) x 152mm (h) x 152mm (d)

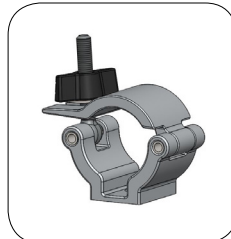
Approximate total shipping weight:

8 lb. / 3.6 kg

VESA:

100 x 100 - 600 x 400mm

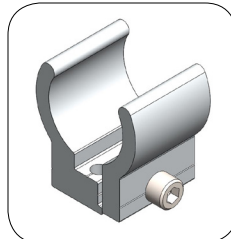
Included hardware:



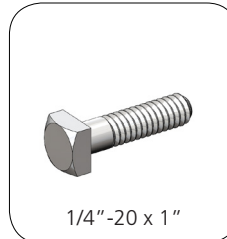
ACC60 x2



TCH-30 x2

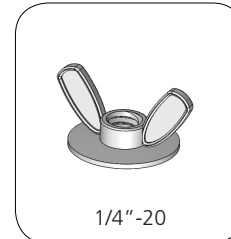


TC-30MM-SILVER x2



1/4"-20 x 1"

BOLT-1 x4

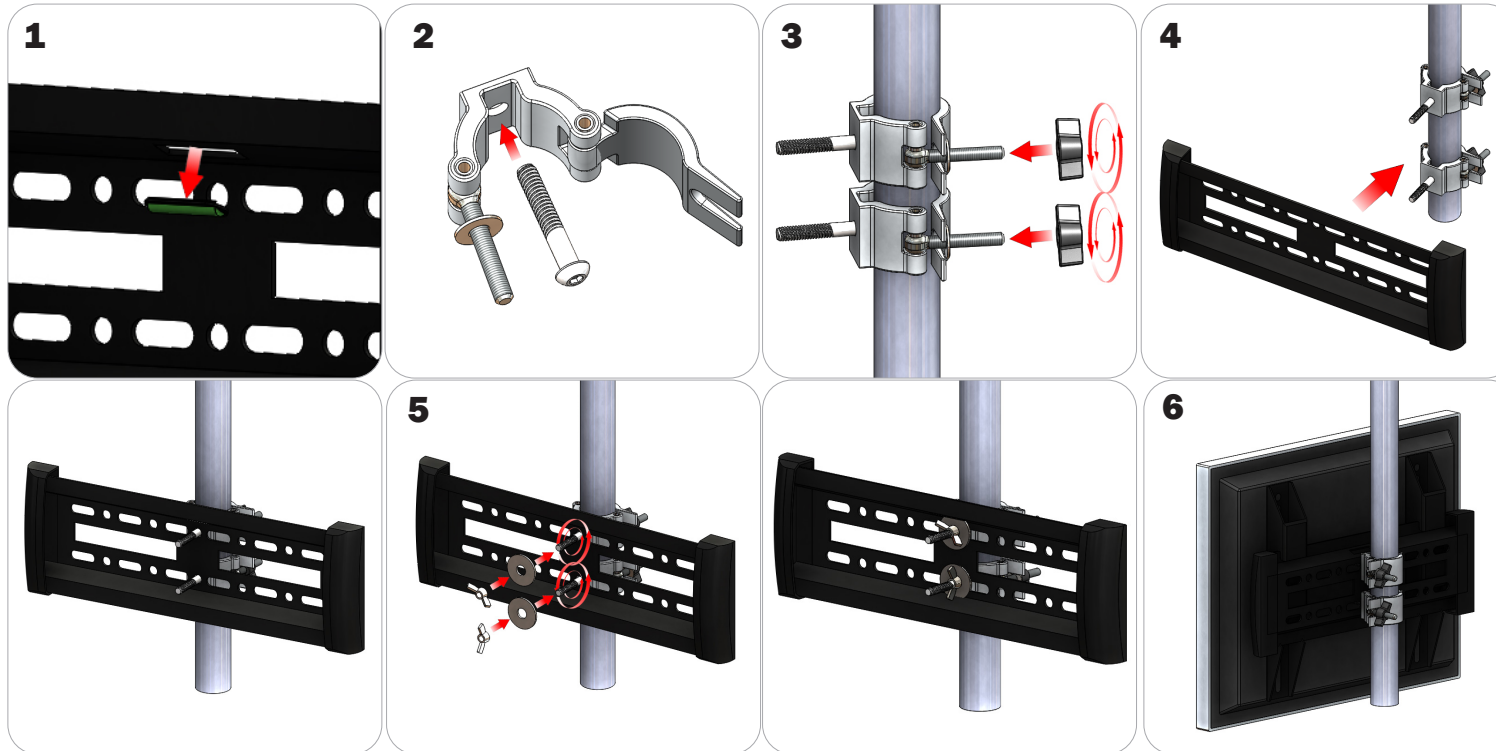


1/4"-20

Flange Wing nut x4

Tube Connection

ACC60 Clamp Connection



Locate all components needed to assemble the monitor mount with the ACC60 tube method. You will need (1) monitor bracket, (2) ACC60 clamps, (2) washers, and (2) wing nuts.

Step 1: Apply pressure to the rear side of the leveling gauge clipped into the monitor mount to remove it.

Step 2: Push the provided bolt through the hole in the ACC60 and place the ACC60 in the desired location.

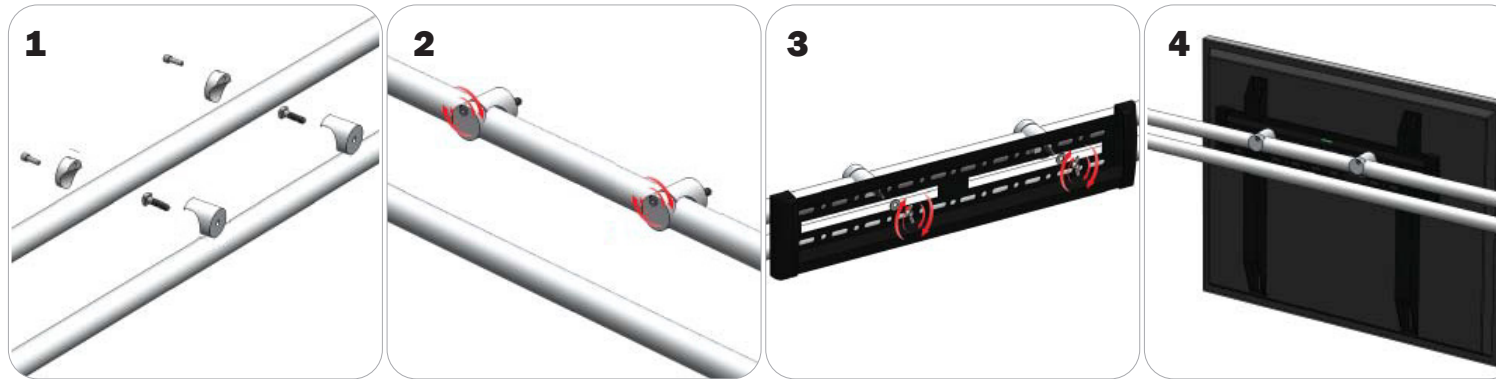
Step 3: Tighten the clamp to the tube using the plastic wing nut.

Step 4: Set your monitor bracket onto the protruding bolts using the of the ACC60 using the center holes on the monitor bracket., adjust ACC60 position if necessary.

Step 5: Lock your monitor bracket to the ACC60s by placing your washers and locking with provided wing nuts.

Step 6: Reference the included manufacturer monitor mount instructions for fastening your monitor to the bracket.

TCH Clamp Connection



Locate all components needed to assemble the monitor mount with the TCH tube method. You will need (1) monitor bracket, (2) TCH clamps, (2) bolts, (2) washers, and (2) wing nuts.

Determine your desired monitor location.
Step 1: Fit the provided bolts through the TCH clamps then reassemble the clamp.

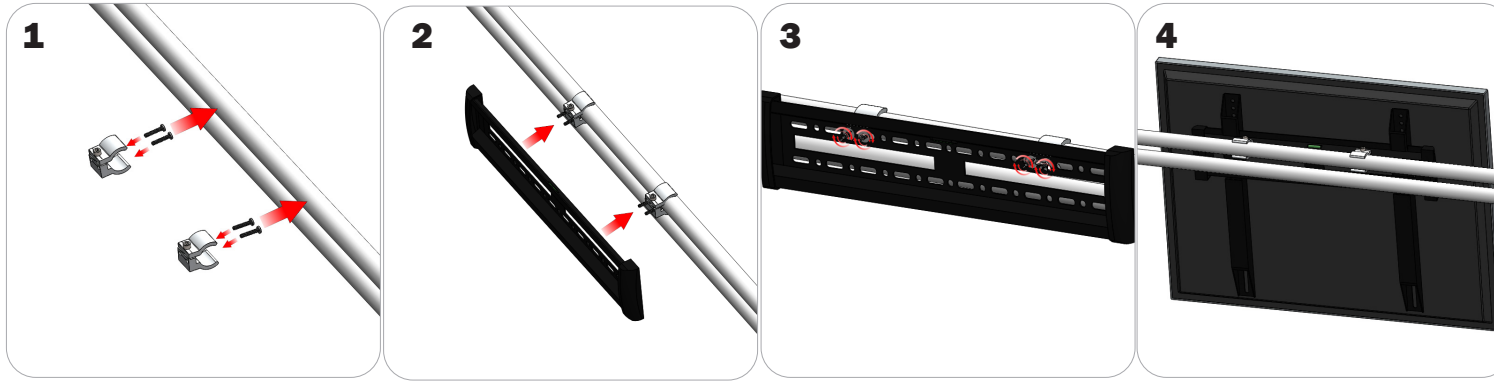
Step 2: Lock the clamp onto the tube with the allen head screws on the clamp.

Step 3: Align your monitor bracket so that the left and right holes slide onto the bolts behind them. Use your washers and wing nuts to lock your monitor bracket in place.

Step 4: Reference the included manufacturer monitor mount instructions for fastening your monitor to the bracket.

Tube Connection

TC-30 Clamp Connection



Locate all components needed to assemble the monitor mount with the TC-30 tube clamp method. You will need (1) monitor bracket, (2) TC-30-SILVER clamps, (4) BOLT-1 screws, and (4) flange wing nuts.

Step 1: Insert the pan-head screws through the holes of your TC-30 clamps. Attach the TC-30 clamps to the tubes but do not tighten.

Step 2: Set your monitor bracket onto the protruding pan-head screws on your clamps using the holes in the monitor bracket.

Step 3: Apply your flange wing nuts to the front of your monitor bracket to lock it to the clamps. Lock your clamps securely into place.

Step 4: Reference the included manufacturer monitor mount instructions for fastening your monitor to the bracket.