

TAUBIK

WEST RIDGE 4.0



User Manual

SAFETY INSTRUCTIONS

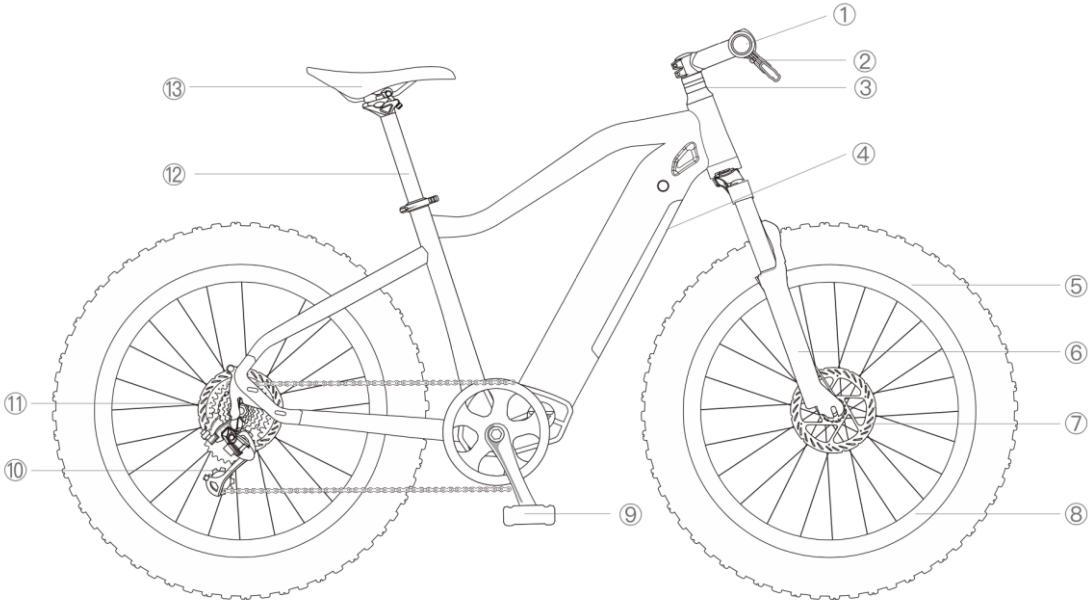
Thank you for choosing and purchasing our E-Bike. For your driving safety, please read this manual carefully to ensure that you can follow the correct instructions, safety warnings and precautions before using it.

- Strictly abide by local laws and regulations and traffic laws. The company is not responsible for any consequences caused by violation of the above laws and regulations.
- Strictly follow the instructions in the manual for corresponding operations. The company is not responsible for any consequences caused by improper use, speeding, overloading etc...
- Do not use this E-Bike to do stunts, it will increase the probability of injury and damage to the E-Bike.
- Please always wear a helmet.
- Do not leave the battery near fire or heat sources.
- Please regularly check whether the brake performance is good.
- Please do not modify, repair or disassemble the product on your own.
- Do not sit on the product either when driving or stationary.
- Avoid using used, defective and/or aftermarket batteries.
- People who should not ride the product include:
 - i. Anyone under the influence of alcohol or drugs.
 - ii. Anyone who suffers from disease that puts them at risk if they engage in strenuous physical activity.
 - iii. Anyone who has problems with balance or with motor skills that would interfere with their ability to maintain balance.
 - iv. Anyone whose weight is outside the stated limits (see Specifications).
 - v. Pregnant women.

SPECIFICATIONS

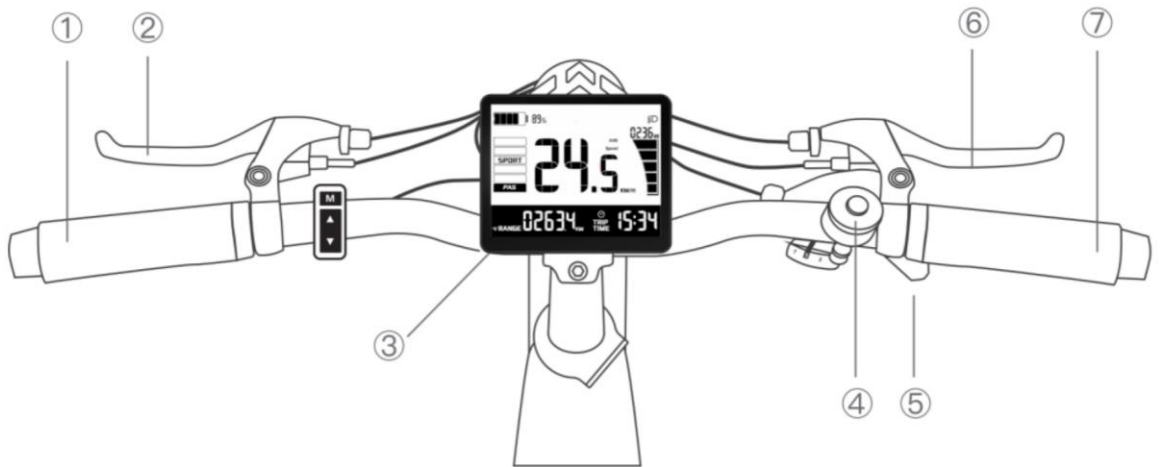
Model	WEST RIDGE 4.0
Max Load	120KG
Motor	500W/48V
Battery	15Ah
Suspension	Front spring suspension
Max Speed	32km/h
Derailleur	Rear: Shimano 7
Max Distance	40km (Pure Power)
Max Distance	70-110km (Pedal assist)
Sensor	Speed Sensor
Frame	Aluminum
Brake Type	Disc brakes
Tire Size	26" X 4.0"
Tire Pressure	Min: 5 psi Max: 30 psi
Charger	48V/2A
Charge Time	6 hours
Fork	Suspension fork
Net Weight	30.5kg

PARTS DIAGRAMS



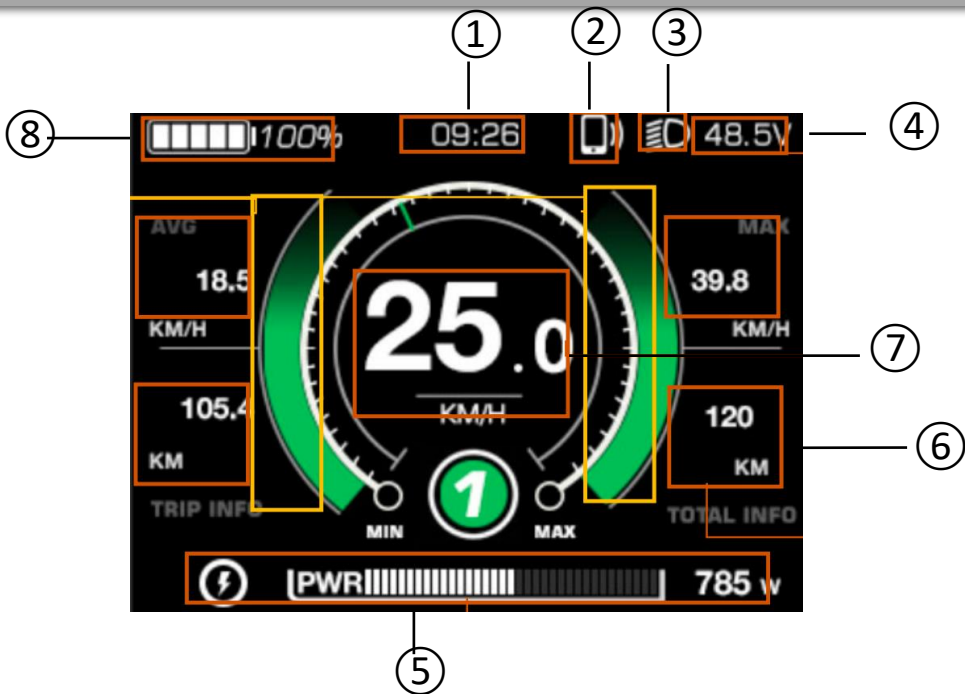
Features & Parts

- 1. Handlebar
- 2. Brake Lever
- 3. Stem
- 4. Battery
- 5. Wheel
- 6. Fork
- 7. Disc Brake
- 8. Rim
- 9. Pedal
- 10. Rear Derailleur
- 11. Seat Stem
- 12. Seat post
- 13. Saddle



1. Left grip
2. Left brake lever
3. Color LCD Display
4. Bell
5. Gear shifter
6. Right brake lever
7. Right grip




DISPLAY PANEL



- 1) Real-Time clock
- 2) USB connection
- 3) Headlight indicator
- 4) Voltage indication
- 5) Power output by motor
- 6) Subtotal mileage
- 7) Speed info
- 8) Battery indicator

DISPLAY BUTTON



No.	Function	Operation Method
1	Power on / off	Press  5 seconds
2	PSA Level	Press the 'up button' speed +1, Press the 'down button' speed -1
3	Switch Mph & Km/h	Long Press 'M' to enter setting interface
4	Switch ODO, Trip, VOL, CUR, RM, TM	Long Press ' M ' to show data clearance window
5	Walk (Pedestrian mode)	Long Press  Button when walking
6	Turn on/off headlight	Press  3 seconds

CHARGING



CAUTION

Only use the provided charging cable to charge your WEST RIDGE 4.0 battery pack. Using any other unauthorized charger may cause damage to your battery pack and/or.

CHARGING THE BATTERY RACK

- Ensure the EBIKE is turned off.
- Remove the battery pack from the battery dock.
- Ensure that the charging port is clean and dry.
- Make sure that there is no dust, debris or dirt inside the port.
- Plug the charger into a grounded wall outlet.
- The charging indicator light ON ,the charger will be green.
- Connect the cable with the power supply (100V~240V; 50/60 Hz).
- Align and connect the 1-pin charging cable into the charging port of the battery pack.

DO NOT FORCE OR BEND THE CHARGING CABLE INTO THE CHARGING PORT, AS IT MAY CAUSE THE PRONG TO BEND OR BREAK.

OPERATING CONDITIONS

FAILURE TO FOLLOW ANY OF THE FOLLOWING SAFETY PRECAUTIONS CAN AND MAY LEAD TO DAMAGE TO YOUR DEVICE, VOID YOUR MANUFACTURER WARRANTY; LEAD TO PROPERTY DAMAGE, CAUSE SERIOUS BODILY INJURY, AND CAN LEAD TO DEATH.



Any WEST RIDGE 4.0 that does not work properly can cause you to lose control and fall. Inspect the entire device thoroughly before every ride, and do not ride it until any problems have been corrected.

KICKSTAND

Never ride your EBIKE with the kickstand down.

OPERATING YOUR Ebike

Make sure the battery pack is fully charged before the first Initial use. Before turning on your E-bike, sit on it like a standard bicycle to get comfortable with the device before using it with the motor.

GEARS

Your Ebike is equipped with 5 gears. The lowest gear (1) is for easier and uphill pedaling, and the highest gear (5) is for maximum speed on level or downhill terrain. Change gears only while pedaling.

The rear wheel contains 5 chain sprockets. When the chain is around the largest sprocket you are in 1st gear, or the lowest gear. When the chain is around the smallest sprocket, you are in 5th gear, or the highest gear.

TROUBLE SHOOTING

PROBLEM	POSSIBLE CAUSES	SOLUTION
Error 1	throttle doesn't turn back to zero position (stay on the high position)	Check if the throttle turned back
Error 2	throttle failure	Check throttle
Error 3	overvoltage protection	Check battery voltage
Error 4	failure of motor's hall signal wire	Check motor
Error 5	failure of motor's phase wire	Check motor
Error 6	failure of the motor's temperature sensor	Check controller
Error 7	failure of the current sensor	Check controller
Error 8	failure of the temperature of the battery	Check battery
Error 9	Controller temperature is too high, and reaches the protection point	Check motor
Error 10	failure of the speed sensor	Check the install position of the speed sensor
Error 11	Failure of BMS communication	Change battery
Error 12	communication failure	Check connector to controller

The above table is only meant to act as a guide to help you figure out any problems you may have with your EBIKE. If you are unable to get your EBIKE to operate properly, please ask for support.

info@taubik.com