

Adventure

SERIES

Only available from Service First™

20' Portable Telescoping Flagpole

- Comes with Tire Stand
- Flies two Flags
- Lightweight/easily transportable
- Perfect for Camping, Tailgating or Events
- Black Anodized Color
- Adjustable Height up to 20'



Veteran owned & Operated



Service First is owned and operated by Parker McCumber, an OEF Veteran, who served with the 2nd Cavalry Regiment and 1st Cavalry Division as a Forward Observer and Fire Support Section Chief.

Parker has also served several years in the Utah National Guard as a Targeting NCO, and is continuing his service and transitioning to officership with the Utah National Guard. We know the sacrifice service members make, and recognize their contributions to our great nation as we pay respect to our flag and all it represents.

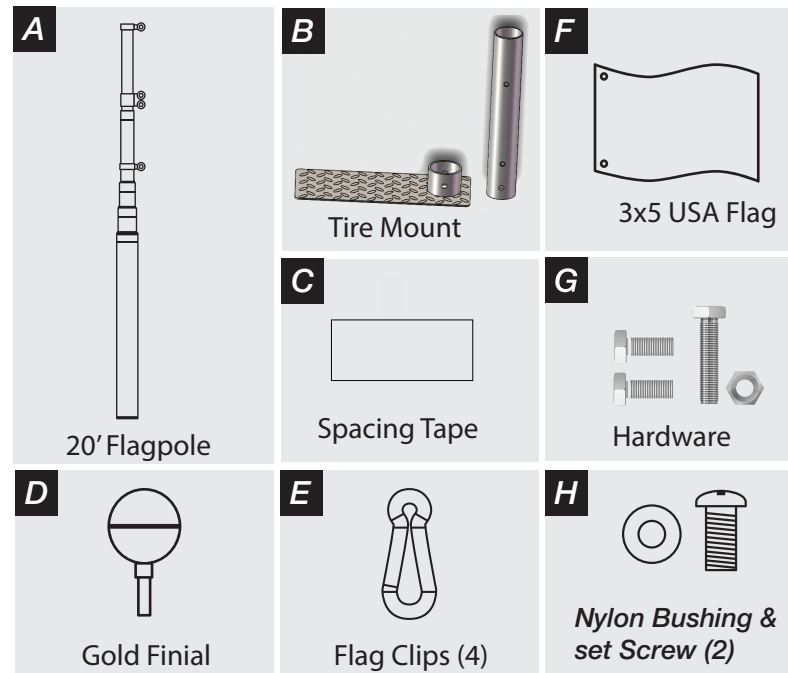


"I believe every American should be able to fly our nation's flag proudly, and the mission of ServiceFirstProducts.com is to make it easy and affordable for everyone to have a beautiful flagpole in their yard and at their home."

-Parker McCumber

Adventure Series Telescoping Flagpole

Parts List

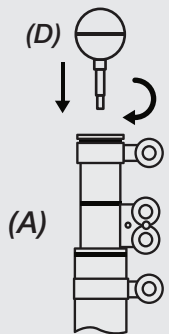


Adventure SERIES

The Adventure Series 20' Telescoping flagpole is built for those on the move. Perfect for tailgating, camping or events, this pole is lightweight and can easily be transported. Adjustable to different heights up to 20' you can choose your preferred size. The Adventure Series comes with a heavy-duty Tire mount that works with cars, trucks or campers. Your kit also includes a 3x5' American Flag and all the hardware you need to fly up to 2 flags. Raising and lowering the pole is quick and easy keeping setup and take down time to a minimum. The Adventure Series allows you to show your support wherever you go!

Building your Flagpole

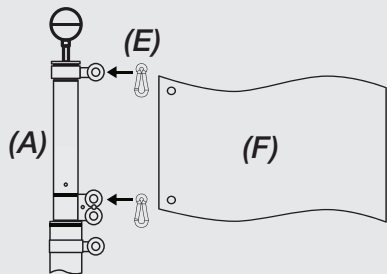
A complete installation video is available at www.ServiceFirstProducts.com.



- 1 Screw the gold ball finial (D) into the top of the Flagpole (A). The gold Ball (D) may need assembly before installation.

If installing a pole top solar light, insert stem of the gold ball (D) through the solar light and hand tighten.

Note: An optional gold eagle finial is also available for your flagpole and will work with your solar light.

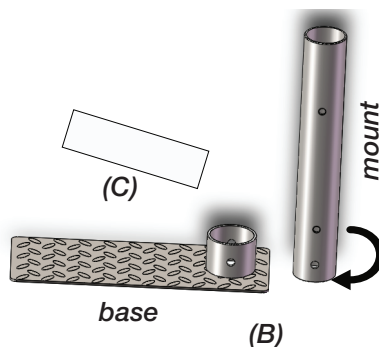


- 2 Connect your flag(s) to your stainless steel clips (E) and then to the flagpole swivel(s) on your flagpole (A)

Note: The 20' telescoping pole is designed to hold up to (2) 3'x5' Flags.

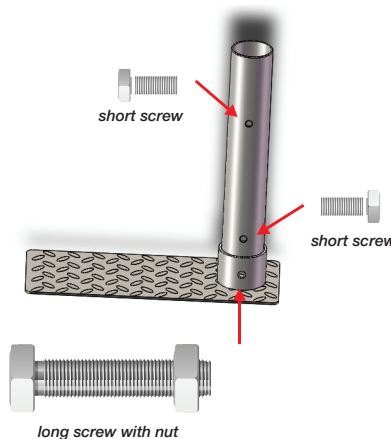
Preparing your Flagpole Mount

- 3 Your flagpole kit will come with a piece of spacing tape. This tape can be used to wrap around the bottom of the mount before installing into the base. This is optional but will remove some of the play between the joint for a tighter fit.



Flagpole Tire Mount

- 4 Use included hardware (G) to secure the base to the mount.



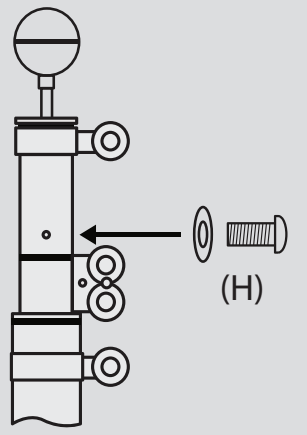
The short screws are used as set screws to hold the flagpole in place and the long screw is used to hold the base to the mount.

- 5 Position your car/truck tire over the tire mount. Having the mount on a flat surface will produce the best result. Place the tire approximately 1-3" away from the flagpole holder. Placing the tire in this position will reduce movement and keep the flagpole straight.

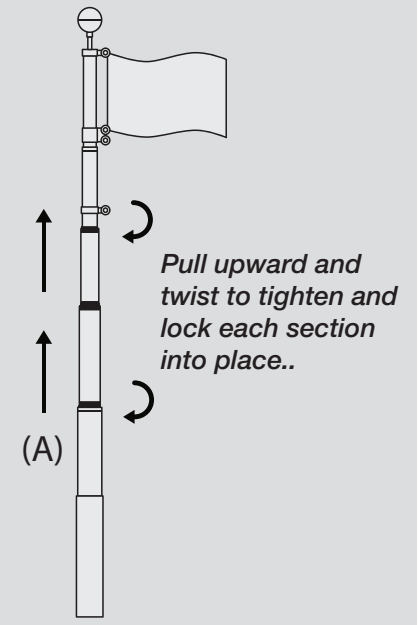


Apx 1-3"

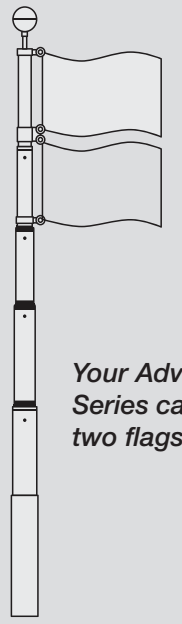
Raising the Flagpole



6 To keep the swivels in place insert Screw (H) in the small hole and tighten. Do not overtighten. (this is optional)



7 Beginning with the top section, extend your flagpole.



Your Adventure Series can fly two flags at once.

Available now at www.ServiceFirstProducts.com

NEW

Protect your Car or Truck from your flagpole bumping into it with our Flagpole Bumper Guard. Designed for the Adventure Series Flagpole.



Flagpole Bumper Guard

NEW

Get the Adventure Series Carry Case and make transporting your flagpole even easier. This padded bag perfectly fits your pole and all accessories. Great way to transport your flagpole camping or to the big game without worrying about damage.



Flagpole Carry Case

Other Flagpole Accessories Available



Flash Collar

Give your flagpole that perfect finishing look. Covers concrete base.



Flag Tether & Weight

Allows you to fly a flag at half staff, reduces stress on the flagpole and gives you a nice clean look.



Flagpole Adapter

Allows you to keep an existing 2" ground sleeve while upgrading the flagpole to a 3" design. No tearing out concrete.



Deck Mount

Allows you mount your flagpole to a flat surface.



Gold Eagle finial

The perfect finial for your flagpole.



Additional Flags

We carry hundreds of different flags including state, political, military, sports teams and more.



Solar Lights

Achieve the perfect light for your flagpole without hard wiring a lighting system. Charges by day and automatically lights at night.



Hitch Mount

Take your flagpole on the go with our Hitch mount. Fits 2"- 3" Flagpoles

www.ServiceFirstProducts.com

T: 385-985-7244 e: Contact@weareservicefirst.com