

## OPERATING INSTRUCTIONS FOR FASTENER DRIVING TOOLS OPERATED BY COMPRESSED AIR



### Air Nailer (Coil Nailer)

Model No.:  MCN55  MCN55B



#### IMPORTANT:

Read all safety rules and operating Instructions carefully before first use it. Keep this Manual for future reference.

#### **WARNING!**

Even when the tool is used as prescribed it is not possible to eliminate all residual risk factors. The following hazards may arise in connection with the tool's construction and design:

- Damage to hearing if effective hearing protection is not worn.
- Health defects resulting from vibration emission if the power tool is being used over longer period of time or not adequately managed and properly maintained.
- Wear eye protection.



2015

## Content

- |                                                  |                                             |
|--------------------------------------------------|---------------------------------------------|
| 1 Technical data                                 | 2.7 Actuating systems                       |
| 1.1 Fastener                                     | 3 Compressed air system                     |
| 1.2 Accessories                                  | 4 Preparing the tool for use                |
| 1.3 Description/Features                         | 4.1 Preparing a tool for first operation    |
| 1.4 Location of Parts                            | 4.2 Connection to the Compressed air system |
| 2 Special references                             | 4.3 Filling the magazine                    |
| 2.1 Regulations                                  | 4.4 Handling the tool                       |
| 2.2 Noise emission                               | 5. Maintenance                              |
| 2.3 information on mechanical impact (vibration) | 6 Troubleshooting                           |
| 2.4 Safety of fastener driving tool              | 7 explode drawing                           |
| 2.5 Safety at work                               | 8 Spare parts list                          |
| 2.6 Triggering devices                           |                                             |

## 1. Technical data

Type of tool	MCN55 & MCN55B	Recommended lubricant	white mineral oil 10 #
Outline dimension	283*270*131mm	Maximum allowable pressure	8,3 bar
Weight (without fasteners)	2.7 kgs	Recommended allowable pressure range	5.8 to 8 bar
Activation mode	contact actuation		

### 1.1 Fastener

Fastener size for MCN55B: Dia.2.5-2.7mm, Nail length: 25-55mm, Magazine capacity: 300-350pcs

Fastener size for MCN55: Dia.2.1-2.3mm, Nail length: 25-55mm, Magazine capacity: 300-350pcs

### 1.2 Accessories

- Hexagon Key, Goggles, Lubricant, Operating instruction

### 1.3 Description/Features

**Features and Benefits:** MCN55B Air coil nailer have light weight, rugged magazine and drives 300-350 nails continuously by full-loading, multi-directional exhaust, comfortable rubber grip, equipped with dust cover and body protector.

**Application:** 1. Making pallets, drums and export wooden boxes, 2. Crating 3. Making wooden fence, 4. General construction applications including siding, decking and sheathing and etc.

### 1.4 location of Parts (see Figure 1)

- 1-Gun body
- 2-Cylinder Cap
- 3-Safety yoke
- 4.Nose Assembly
- 5-Magazine
- 6-Trigger
- 7-Grip
- 8- Exhaust Cover



Figure 1

## 2. Special references

### 2.1 Instructions

The following standard is applicable to fastener driving tools; EN792-13:2000+A1:2008 "Hand-held non-electric power tools-safety requirements – Part 13: Fastener driving tools".

This standard requires that

- only those fasteners which are specified in the operating instructions (see TECHNICAL DATA) shall be used in fastener driving tools. The fastener driving tool and the fasteners specified in the operating instructions are to be considered as one unit safety system;
- quick action couplings shall be used for connection to the compressed air system and the non-sealable nipple must be fitted at the tool in such a way that no compressed air remains in the tool after disconnection;
- oxygen or combustible gases shall not be used as an energy source for compressed air operated fastener driving tools;
- fastener driving tools shall only be connected to an air-supply where the maximum allowable pressure of the tool cannot be exceeded by more than 10%; in the case of higher pressure, a pressure reducing valve which includes a downstream safety valve shall be built into the compressed air supply;
- only spare parts specified by the manufacturer or his authorized representative shall be used in the repair of fastener driving tools;

- repairs shall be carried out only by the manufacturers authorized agents or by other experts, having due regard to the information given in the operating instructions.
- stands for mounting the fastener driving tools to a support, for example to a work table, shall be designed and constructed by the stand manufacturer in such a way that the fastener driving tools can be safely fixed for the intended use, thus for example avoiding damage, distortion, displacement.

Special fields of application for the fastener driving tool may require the observance of additional provisions and regulations.

- only the main energy and lubricants listed in the operating instructions may be used:
- fastener driving tools marked with an inverted equilateral triangle standing on one point may only be used with an effective safety yoke;
- for the maintenance of fastener driving tools, only spare parts specified by the manufacturer or his authorized representative shall be used;
- repairs shall be carried out only by agents authorized by the manufacturer or by other specialists, having due regard to the information given in the operating instructions;
- NOTE: Specialists are those who as a result by professional training or experience, have sufficient expertise in the field of fastener driving tools and sufficient familiarity with relevant governmental industrial protection provisions, accident prevention regulations, directives and generally recognized technical regulations(e.g. CEN-and CENELEC-standards),to be able to assess the safe working condition of fastener driving tools.

## 2.2 Noise emission

The characteristic noise values for the fastener driving tool have been determined in accordance with EN12549:1999 and EN ISO4871"Acoustics-Noise test code for fastener driving tools-Engineering method".

LpA: 98.2 dB(A) LwA : 102.1dB(A) LpC: 128.0dB(A)

## 2.3 Information on mechanical impact (vibration)

The characteristic vibration values for the fastener driving tool have been determined in accordance with ISO 8662-11:1999 and EN 12096 – Measurement of vibration in hand-held power tools – Part 11:Fastener driving tools . Vibration value: 2.95m/s, Measurement uncertainty: 0.56m/s

This value is a tool-related characteristic value and does not represent the influence to the hand-arm-system when using the tool. An influence to the hand-arm-system when using the tool will for example depend on the gripping force, the contact pressure force, the working direction, the adjustment of energy supply, the workplace, the work piece support.

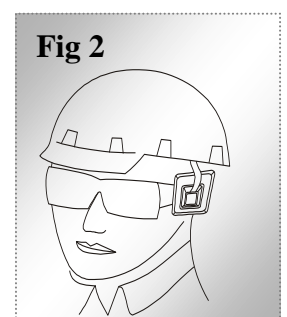
## 2.4 Safety of the fastener driving tool

- Check prior to each operation that the safety and triggering mechanism is functioning properly and that all nuts and bolts are right.
- Do not carry out any alterations to the fastener driving tool without the manufactures authorization.
- Do not disassemble or make inoperative any parts of the fastener driving tool such as the safety yoke.
- Do not perform any "emergency repairs" without proper tools and equipment.
- The fastener driving tool should be serviced properly and at regular intervals in accordance with the Manufacturer's instructions.
- Avoid weakening or damaging the too, for example by:
  - punching or engraving;
  - modification not authorized by the manufacturer
  - guiding against templates made of hard material such as steel;
  - use the equipment as a hammer;
  - applying excessive force of any kind

## 2.5 Safety at work

Never point any operational fastener driving tool at yourself or at any other person or animals.

Hold the fastener driving tool during the work operation in such a way that no injuries can be



caused to the head or to the body in the event of possible recoil consequent upon a disruption in the energy supply or hard areas within the workplace. (see fig 2)

Never actuate the fastener driving tool into free space. This will avoid any hazard caused by free flying fasteners and excessive strain of the tool.

The tool shall be disconnected from the compressed air system for the purpose of transportation, especially where ladders are used or where an unusual physical posture is adopted whilst moving(see Fig 3).

Carry the fastener driving tool at the workplace using only the handle, and never with the trigger actuated.

Take conditions at the workplace into account. Fasteners can penetrate thin work pieces or slip off corners and edges of workplaces, and thus put people at risk.

For personal safety, use protective equipment such as hearing and eye protection (see fig 2)

**IMPORTANT: DO NOT** direct the adjustable vent hole to the operator or other person or animals during the use.

## 2.6 Triggering devices

Fastener driving tools are operated by actuating the trigger using finger pressure.

In addition, fastener driving tool is fitted with a safety yoke which enables the driving operation to be carried out only after the muzzle of the tool is pressed against a work piece, These tool are marked with an inverted triangle(▽) behind the serial number and are not permitted for use without an effective safety yoke.

## 2.7 Actuating systems

Depending on their purpose, fastener driving tool is fitted with single sequential actuating system and contact actuation system.

You could switch to one nail figure to choose single sequential actuation, and switch to two nail figure to choose contact actuation.

Fastener driving tools with a safety yoke. See 2.6

- Single sequential actuation: An actuating system in which the trigger and the safety yoke have to be activated so the only one single driving operation is actuated via the trigger after the muzzle of the tool has been applied to the driving location, Thereafter further driving operations can only be performed after the trigger has been returned to the non driving position whilst the safety yoke remains depressed.

-Contact actuation (restricted version):An actuating system in which the trigger and the safety yoke have to be actuated for each driving operation, with the order of actuation not being specified .For repeated driving operations, it is sufficient if either the trigger remains activated and the safety yoke is activated thereafter, or vice versa.

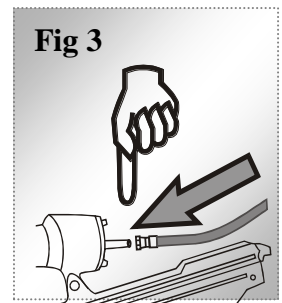
Fastener driving tools equipped with contact actuation must be marked with the symbol” Do not use on scaffoldings, ladders’ (see Fig.4) and shall not be used for specific application for example:

- when changing one driving location to another involves the use of scaffoldings, stairs, ladders, or ladder alike constructions, e.g. roof laths;
- closing boxes or crates;
- fitting transportation safety systems e.g. on vehicles and wagons.



Colours:  
Red on white ground,  
fastener driving tools and  
ladder black

Fig. 4: Symbol” Do not use on scaffoldings, ladders”



### 3. Compressed air system

<b>⚠WARNING⚠</b>
<b>Never free-fire the tool at high pressure.</b>

Proper functioning of the fastener driving tool requires filtered, dry and lubricated compressed air in adequate quantities. If the air pressure in the line system exceeds the maximum allowable of the fastener driving tool, a pressure reducing valve followed by a downstream safety valve shall additionally be fitted in the supply line to the tool.

NOTE: When compressed air is generated by compressors, the natural moisture in the air condenses and collects as condensed water in pressure vessels and pipelines. This condensate must be removed by water separators. These water separators must be checked on a daily basis and if necessary drained, since corrosion can otherwise develop in the compressed air system and in the fastener driving tool, which serves to accelerate wear.

The compressor plant shall be adequately dimensioned in terms of pressure output and performance (volumetric flow) for the consumption which is to be expected. Line sections which are too small in relation to the length of the line (pipes and hoses), as well as overloading the compressor, will result in pressure drops.

Permanently laid compressed air pipelines should have an internal diameter of at least 19 mm and a corresponding large diameter where relatively long pipelines or multiple users are involved.

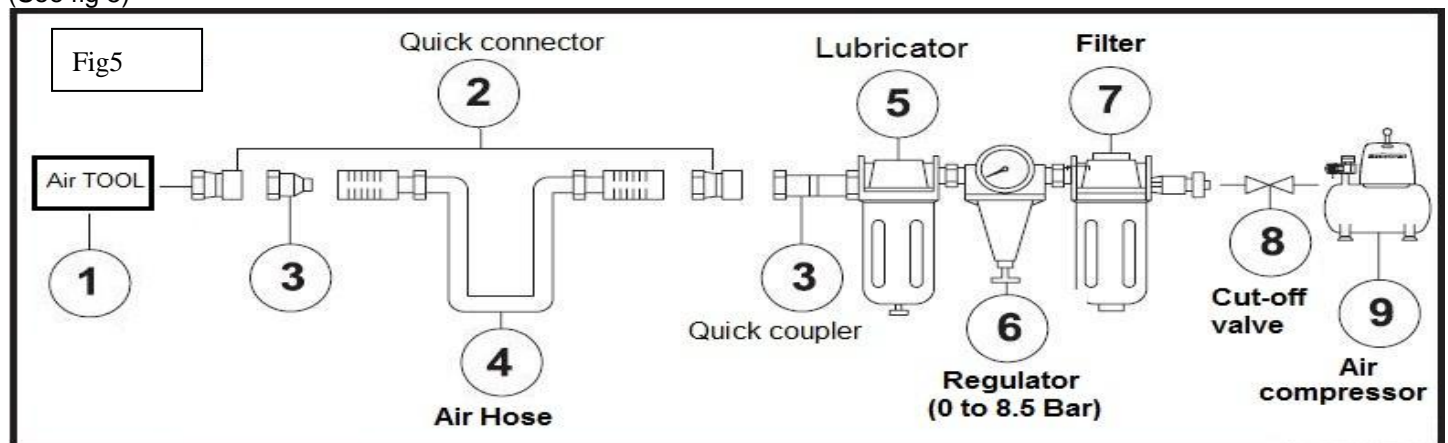
Compressed air pipelines should be laid so as to form a gradient (highest point in the direction to the compressor). Easily accessible water separators should be installed at the lowest points.

Junctions for users should be joined to the pipelines from above,

Connecting points for fastener driving tools should be fitted with a compressed air servicing unit (filter/water separator/oiler) directly at the junction point.

Oilers must be checked on a daily basis and if necessary topped up with the recommended grade of oil (see TECHNICAL DATA). Where hose lengths of over 10 m are used, the oil supply for the fastener driving tool cannot be guaranteed. We therefore recommend that 2 to 5 drops (depending on the loading of the fastener driving tool) of the recommended oil (see TECHNICAL DATA) should be added via the air inlet of the tool, or an oiler attached directly to the fastener driving tool.

(See fig 5)



### 4. Preparing the tool for use

#### 4.1 Preparing a tool for first time operation

Please Read and observe these Operating Instruction before using the tool. Basic safety measures should always be strictly followed to protect against damage to the equipment and personal injury to the user or other people working in the vicinity of operation.

#### 4.2 Connection to the compressed air system

Ensure that the pressure supplied by the compressed air system does not exceed the maximum allowable pressure of the fastener driving tool. Set the air pressure initially to the lower value of the recommended allowable pressure (see TECHNICAL DATA).

Empty the magazine to prevent a fastener from being ejected at the next stage of work in the event that internal

parts of the fastener driving tool are not in the starting position following maintenance and repair work or transportation.

Connect the fastener driving tool to the compressed air supply using suitable pressure hose equipped with quick-action connectors.

Check for proper functioning by applying the muzzle of the fastener driving tool to a piece of wood or wooden material and actuating the trigger once or twice.

#### **4.3 Filling the magazine**

Only those fasteners specified under TECHNICAL DATA (see 1.1) may be used

When filling the magazine, hold the tool so that the muzzle is not pointing towards the operator or any other person or animals.

#### **4.4 Handling the tool**

Pay attention to **2-Special Reference**-of these operating instructions.

Having checked that the fastener driving tool is functioning correctly, apply the tool to a work piece and actuate the trigger.

Check whether the fastener has been driven into the work piece in accordance with the requirements.

- if the fastener is protruding, increase the air pressure in increments of 0.5 bar, checking the result after each new adjustment;
- if the fastener is driven into an excessive depth reduce the air pressure in increments of 0.5 bar until the result is satisfactory.

You should endeavor in any event to work with the lowest possible air pressure. This will give you three significant advantages;

1. energy will be saved,
2. less noise will be produced,
3. a reduction in fastener driving tool wear will be achieved.

Avoid triggering the fastener driving tool if the magazine is empty.

Any defective or improperly functioning fastener driving tool must immediately be disconnected from the compressed air supply and passed to a specialist for inspection.

In the event of longer breaks in work or at the end of the working shift, disconnect the tool from the compressed air supply and it is recommended to empty the magazine.

The compressed air connectors of the fastener driving tool and the hoses should be protected against contamination, the ingress of coarse dust chips, sand etc, will result in leaks and damage to the fastener driving tool and the couplings.

## **5. Maintenance**

Disconnect the tool from the compressor before adjusting, clearing jams, servicing & maintenance, relocating and during non operation.

Regular lubrication, if your tool without using the in-liner automatic oiler, place 2 or 6 drops of pneumatic tool oil into the air inlet before each work day or after 2 hours of continuous use depending in the characteristic of workpiece or type of fasteners.

Air-operated tools must be inspected periodically, and worn or broken parts must be replaced to keep the tool operating safely and efficiently. Check and change all worn or damaged O-ring, Seals, etc. Tighten all the screws and caps to avoid personal injury. This should be done by an expert.

Make regular inspection for free movement of trigger, Spring and safety mechanism to assure safe system is complete and functional: no loose and missing parts, no building or stocking parts.

Keep magazine and nose of tool clean and free of any dirt lint or abrasive particles.

When temperatures are below freezing, tools should be kept warm by any convenient, safe method.

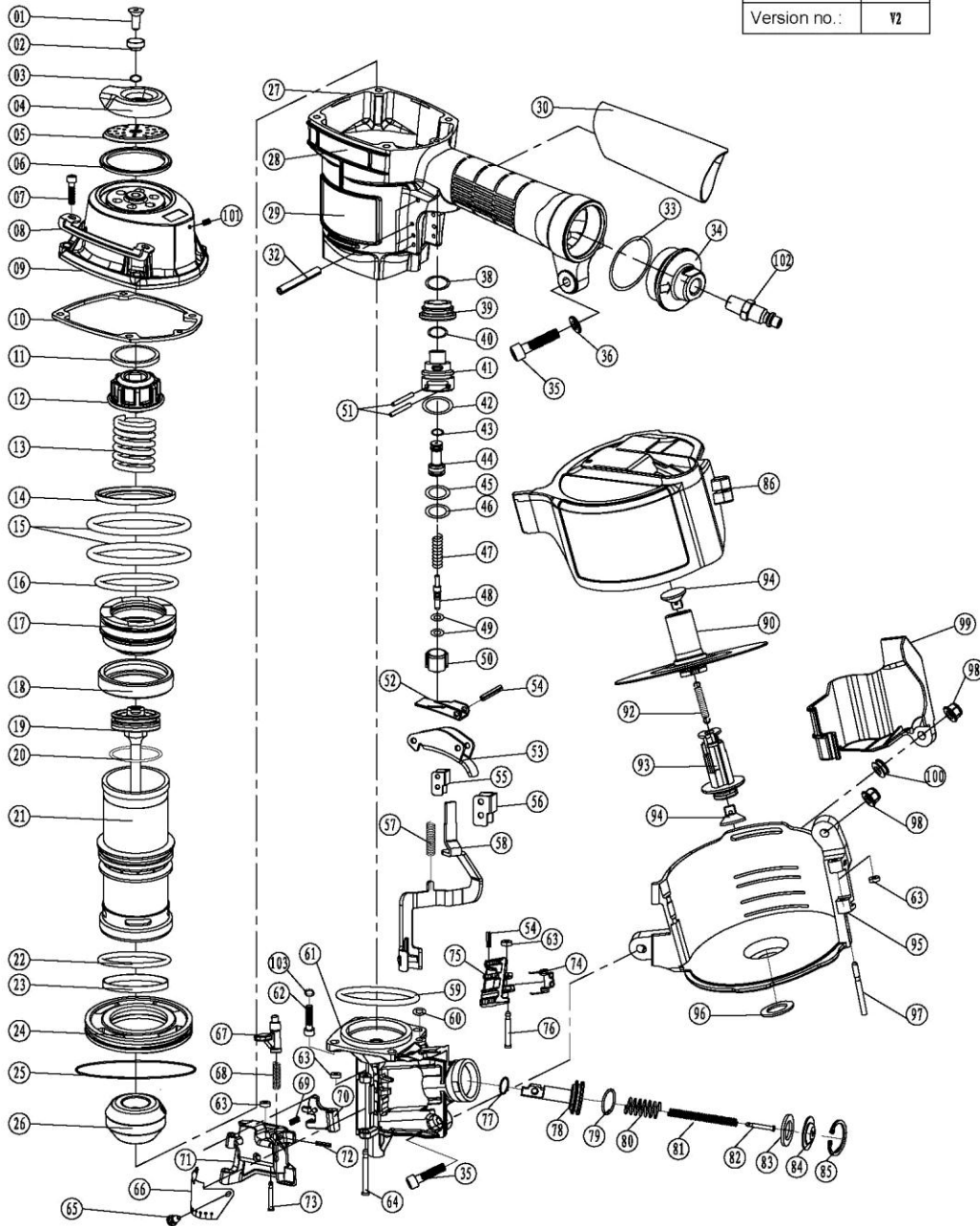
## 6. Troubleshooting (See Table 1)

SYMPTOM	PROBLEM	SOLUTIONS
Air leak near top of tool or in trigger area	<ol style="list-style-type: none"> <li>1.O-ring in trigger valve are damage.</li> <li>2.Trigger valve head are damage.</li> <li>3.Trigger valve stem ,seal or O-ring are damaged.</li> </ol>	<ol style="list-style-type: none"> <li>1.Check and replace O-ring.</li> <li>2.Check and replace.</li> <li>3.Check and replace trigger valve stem, seal or O-ring</li> </ol>
Air leak near bottom of tool.	<ol style="list-style-type: none"> <li>1. Loose screws.</li> <li>2. Worn or damaged O-rings or bumper.</li> </ol>	<ol style="list-style-type: none"> <li>1.Tighten screws.</li> <li>2.Check and replace O-rings or bumper.</li> </ol>
Air leak between body and cylinder cap.	<ol style="list-style-type: none"> <li>1. Loose screws.</li> <li>2. Worn or damaged O-rings or seals.</li> </ol>	<ol style="list-style-type: none"> <li>1.Tighten screw.</li> <li>2.Check and replace O-rings or bumper.</li> </ol>
Blade driving fastener too deep.	<ol style="list-style-type: none"> <li>1. Worn bumper.</li> <li>2. Air pressure is too high.</li> </ol>	<ol style="list-style-type: none"> <li>1.Replace bumper.</li> <li>2.Adjust the air pressure. or regulator</li> </ol>
Tool does not operate well: can not drive fastener or operate sluggishly.	<ol style="list-style-type: none"> <li>1. Inadequate air supply.</li> <li>2. Inadequate lubrication.</li> <li>3. Worn or damaged O-rings or seals.</li> <li>4.Exhaust port in cylinder head is blocked.</li> </ol>	<ol style="list-style-type: none"> <li>1.Verify adequate air supply.</li> <li>2.Place 2 or 6 drops of oil into air inlet.</li> <li>3.Check and replace O-rings or seal.</li> <li>4.Replace damaged internal parts.</li> </ol>
Tool skips fasteners.	<ol style="list-style-type: none"> <li>1.Worn bumper or damaged spring.</li> <li>2.Dirt in front plate.</li> <li>3.Dirt or damage prevents fasteners from moving freely in magazine.</li> <li>4.Worn or dry O-ring on piston or lack of lubrication.</li> <li>5.Cylinder cover seal leaking.</li> </ol>	<ol style="list-style-type: none"> <li>1.Repalce bumper or pusher spring.</li> <li>2.Clean drive channel on front plate.</li> <li>3.Magazine needs to be cleaned.</li> <li>4.O-ring need to be replaced. And lubricate.</li> <li>5.Replace Sealing washer.</li> </ol>
Tool jams.	<ol style="list-style-type: none"> <li>1.Incorrect or damaged fasteners.</li> <li>2.Damaged or worn driver guide.</li> <li>3.Magazine or nose screw loose.</li> <li>4.Magazine is dirty.</li> </ol>	<ol style="list-style-type: none"> <li>1.Change and use correct fastener.</li> <li>2.Check and replace the driver.</li> <li>3.Tighten the magazine.</li> <li>4.Clean the magazine.</li> </ol>

**Table 1**

# Explosive View and Parts list

Issue date:	2013.08.28
Version no.:	V2



No.	Figure number	Description	Qty.	No.	Figure number	Description	Qty.
1	03.04.05.691	Hex Bolt M8*20	1	53	03.04.03.086-01	Trigger	1
2	03.04.29.186	Cylinder pin	1	54	03.04.05.191	Pin 3*1.5	2
3	03.04.01.063	O-ring 10*2	1	55	03.04.16.113	Iron skateboard frame	1
4	03.04.21.507-01	Exhaust Deflector	1	56	03.04.16.114	Plastic skateboard frame	1
5	03.04.25.136	Exhaust seal	1	57	03.04.36.271	Spring	1
6	03.04.19.152	Cylinder cover bumper	1	58	03.04.16.115	Safety yoke	1
7	03.04.05.047	Hex bolt M6*25	4	59	03.04.01.170	O-ring 46*2	1
8	03.04.16.112	Gun body frame	2	60	03.04.01.040	O-ring 4*1.5	1
9	03.04.28.087-02	Cylinder cover	1	61	03.04.08.177	Nose	1
10	03.04.19.153	Cylinder cover sealing gasket	1	62	03.04.05.047	Hex bolt M6*25	4
11	03.04.19.154	Spring washer	1	63	03.04.29.187	Bushing	4
12	03.04.32.140	Spring holder	1	64	03.04.31.122	Cover plate pin	1
13	03.04.36.270	Spring	1	65	03.04.40.052	Fixed rubber plug	1
14	03.04.06.125	Lining ring	1	66	03.04.40.344	Gun head protective film	1
15	03.04.01.181	O-ring 51*2.65	2	67	03.04.10.053	Trigger piece	1
16	03.04.01.160	O-ring 42.5*2.5	1	68	03.04.36.272	Spring	1
17	03.04.20.040	On-off valve	1	69	03.04.36.273	Spring	1
18	03.04.19.155	Cylinder sealing	1	70	03.04.17.121	Check nail claw	1
19	03.04.39.12.040	Piston driver	1	71	03.04.13.172	Cover plate	1
20	03.04.01.145	O-ring 37.5*3.55	1	72	03.04.05.190	Pin 3*12	1
21	03.04.27.127	Cylinder	1	73	03.04.31.118	Check nail pin	1
22	03.04.01.174	O-ring 48.7*2.65	1	74	03.04.24.029	Send nail claw spring	1
23	03.04.19.156	Sealing gasket	1	75	03.04.33.014	Send nail claw	1
24	03.04.19.157	Shaft washer	1	76	03.04.31.119	Send nail claw pin	1
25	03.04.01.266	O-ring 74.4*3.1	1	77	03.04.01.061	O-ring 9.9*2.4	1
26	03.04.06.126	Bumper	1	78	03.04.40.345	Send nail piston	1
27	03.04.26.207-02	Gun body	1	79	03.04.01.099	O-ring 20.4*2.4	1
28	05.04.33.678	model label	1	80	03.04.22.033	Spring	1
29	05.04.08.316	Warning label	1	81	03.04.22.034	Spring	1
30	03.04.29.096	Rubber grip	1	82	03.04.31.120	Pin	1
31				83	03.04.06.127	Buffer channel	1
32	03.05.04.052	Spring pin 3*28	4	84	03.04.32.141	Spring holder	1
33	03.04.42.054	O-ring 34.5*2.65	1	85	03.05.03.031	Ring	1
34	03.04.11.084	Air inlet end cap-01	1	86	03.04.40.346	Nail house cover	1
35	03.04.05.690	Hex bolt M6*38	2				
36	03.04.05.257	Plain washer	1	87			
37				88			
38				89			
39				90	03.04.40.347	Nail tray ass'y	1
40				91			
41				92	03.04.22.035	Spring	1
42				93	03.04.40.348	Adjust holder	1
43	03.04.40.351	Trigger valve bushing	1	94	03.04.32.067	Spring holder	2
44		O-ring 19*2.5	1	95	03.04.40.349	Nail house	1
45		O-ring 6*1.9	1	96	03.04.06.128	Adjust holder seal	1
46		Valve Sleeve	1	97	03.04.31.121	Nail house pin	1
47		O-ring 6.4*2	1	98	03.04.05.157-02	Hex bolt v6	2
48		O-ring 8.9*1.9	1	99	03.04.40.350	Nose cap	1
49		Trigger valve stem	1	100	03.04.29.188	Seal cap	1
50		Trigger valve stem	1	101	03.04.05.071	Hex bolt	1
51		O-ring 2.5*1.5	2	102		Air inlet plug	1
52		Trigger sleeve	1	103	03.04.05.265	Spring washer	4
53		Pin 2*1.5	2	104			
54	03.04.02.131	Hook stop lever	1				

Note: If you need spare parts of this model, pls feel free to contact us or the distributor where you bought this tool. Tks!