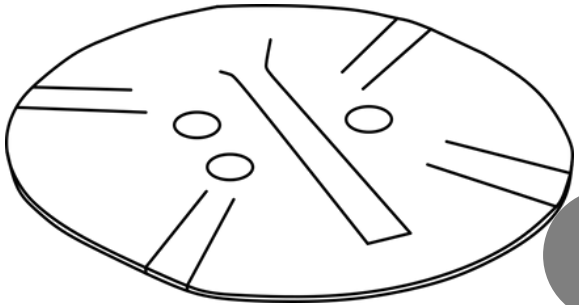


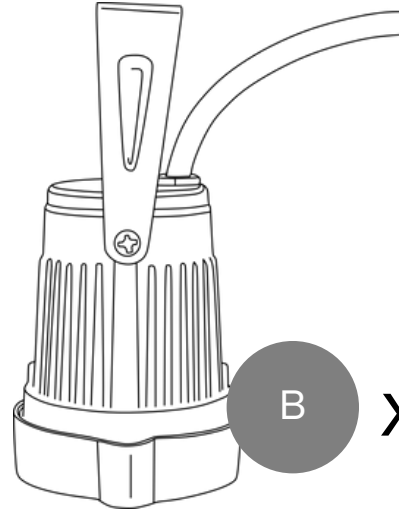
DESERT STEEL

# Saguaro Light Manual

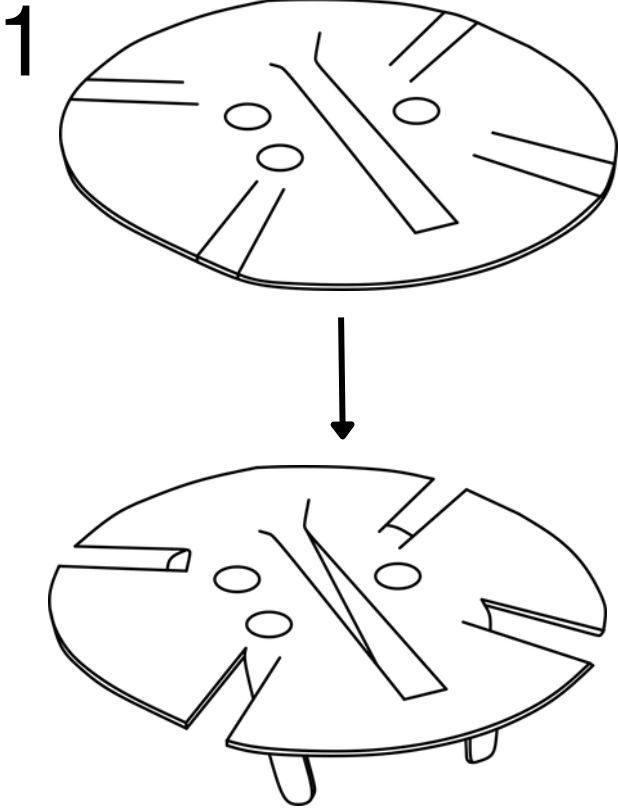
Contents:



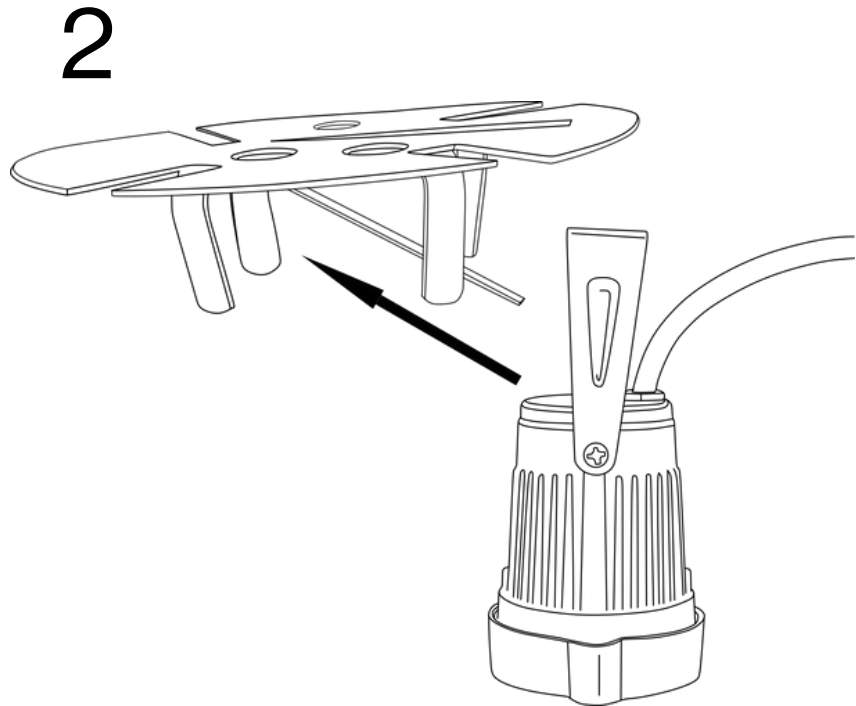
A x1



B x1

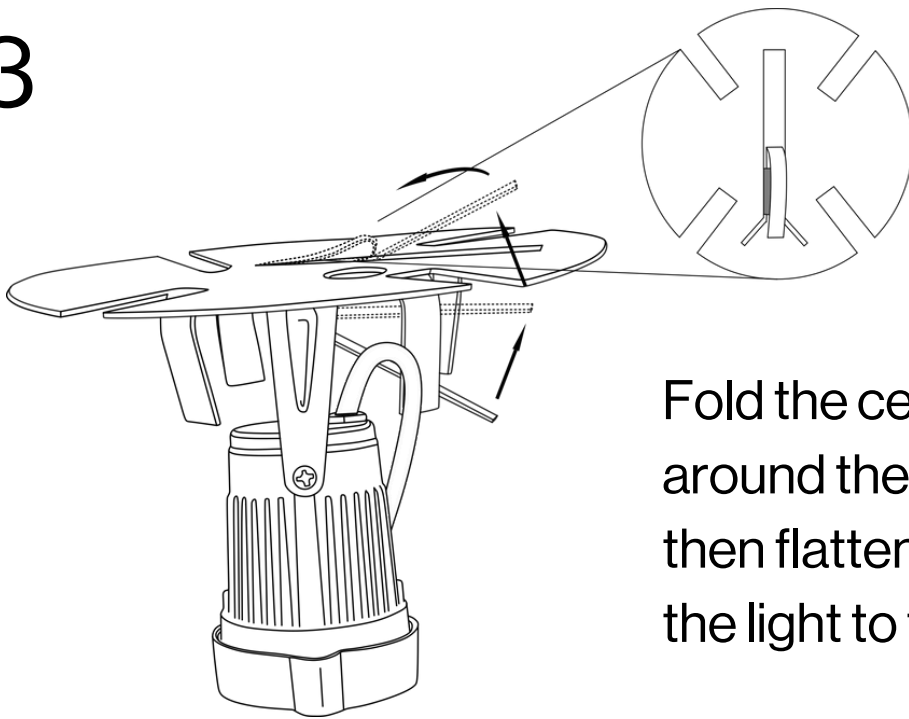


Using your fingers or pliers, bend the 4 tabs 90 degrees so that they point straight down. Then slightly bend the center tab approximately 45 degrees



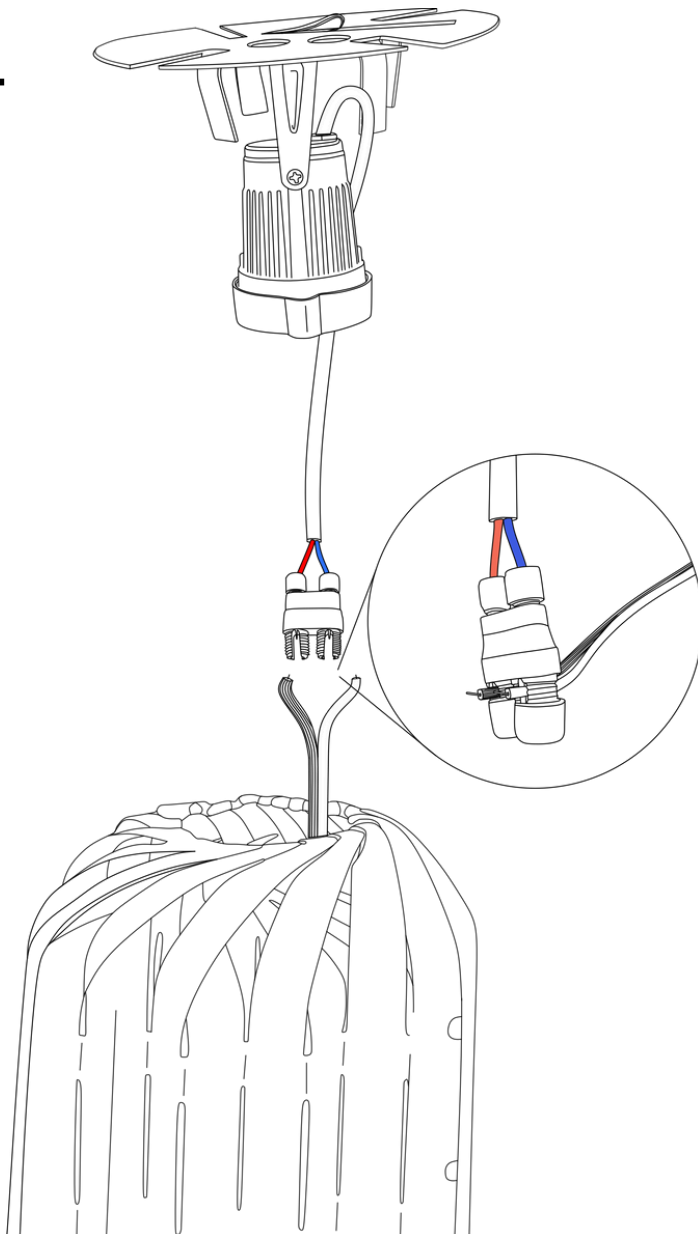
Slide the loop of the light through the center tab

3



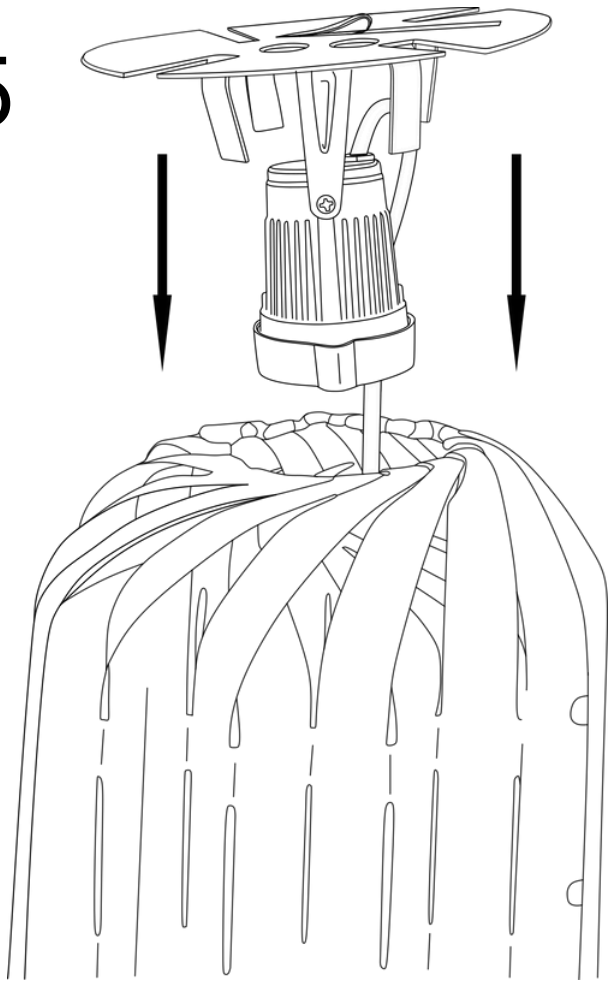
Fold the center tab up and around the loop of the light and then flatten the tab to secure the light to the plate.

4



To connect the wiring of the light to the rest of the lighting system of the cactus, unscrew the caps off of the wire connectors. Take note of the red and blue wires on the light, and the smooth and rough wires on the cactus. (1) Place the rough wire between the prongs of the wire connector on the red side and then place the smooth wire between the prongs of the connector on the blue side. Once both wires are set (Red to Rough, Blue to Smooth), (2) tighten the caps back on so that the needle punctures through the rubber coating of the wire. After the caps are securely fastened, the light should be connected.

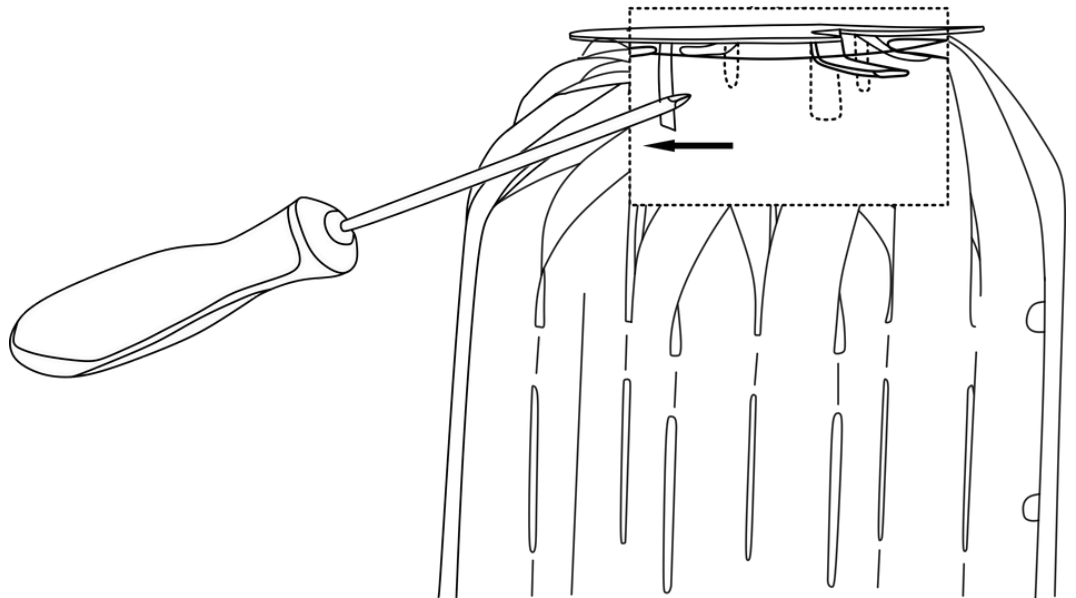
# 5



To connect the wiring of the light to the rest of the lighting system of the cactus, unscrew the caps off of the wire connectors. Take note of the red and blue wires on the light, and the smooth and rough wires on the cactus. (1) Place the rough wire between the prongs of the wire connector on the red side and then place the smooth wire between the prongs of the connector on the blue side. Once both wires are set (Red to Rough, Blue to Smooth), (2) tighten the caps back on so that the needle punctures through the rubber coating of the wire. After the caps are securely fastened, the light should be connected.

# 6

Use a screw driver and insert it through the gaps in the cactus to bend the tabs back towards their original position. This will secure the baseplate with the light to the cactus.



# DESERT STEEL