

**ELANCO US, INC.**

**2500 INNOVATION WAY, GREENFIELD, IN, 46140**

Customer Service: 317-276-1262

Technical Service: 800-428-4441

Website: [www.elanco.us](http://www.elanco.us)

Email: [elanco@elanco.com](mailto:elanco@elanco.com)



THIS SERVICE AND DATA ARE PROVIDED "AS IS". DVMetrics assumes no liability, and each user assumes full risk, responsibility, and liability, related to its use of the DVMetrics service and data. See the Terms of Use for further details.

**COMPONENT™ E-S WITH TYLAN™**

**Elanco US**

**(progesterone and estradiol and tylosin implant)**

Each implant consists of 200 mg progesterone USP and 20 mg estradiol benzoate and 29 mg tylosin tartrate

**STEER IMPLANTS**

**STEERS**

**20 dose Cartridge Belt**

**Use with a Component Implanter**

**For Use In Animals Only**

**DESCRIPTION:** Each cartridge belt holds 20 doses of Component E-S with Tylan (progesterone and estradiol and tylosin implant) Implants. Each dose of 9 pellets consists of 8 pellets containing a total of 200 mg progesterone USP and 20 mg estradiol benzoate plus 1 pellet containing 29 mg tylosin tartrate as a local antibacterial. Component E-S (progesterone and estradiol implant) Implants are recommended for use in steers weighing 400 lbs or more for **INCREASED RATE OF WEIGHT GAIN AND IMPROVED FEED EFFICIENCY.**

Do not use in veal calves. Effectiveness and animal safety in veal calves have not been established.

**DOSAGE:** Administer 1 implant per animal according to the following instructions.

**GENERAL INSTRUCTIONS:** Study the instructions which should be followed carefully at all times, avoiding short cuts. Skin infection can be avoided by properly preparing implant site and implanter. During fly season use fly repellent on implant site. One designated team member should always do the implanting. Cleanliness of hands and instruments is important at all times.

**WARNING: Not to be used in animals intended for subsequent breeding, or in dairy animals.** Implant one dose - 9 pellets (entire contents of one cartridge cell) - in the ear subcutaneously. Any other site of implantation is in violation of Federal Law. **DO NOT** attempt to salvage implantation site for animal feed or human food.

**A withdrawal period has not been established for this product in pre-ruminating calves. Do not use in calves to be processed for veal.**

**RESTRICTED DRUG (CALIFORNIA) - USE ONLY AS DIRECTED - FOR USE IN ANIMALS ONLY - NOT FOR HUMAN USE - KEEP OUT OF REACH OF CHILDREN**

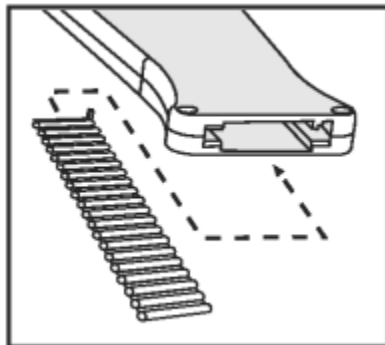
**CAUTION:**

Bulling, rectal prolapse, ventral edema and elevated tail-heads have occasionally been reported in animals implanted with progesterone and estradiol benzoate.

**IMPLANTING INSTRUCTIONS:**

**Loading the Implanter**

Load the implanter following the instructions supplied with each implanter.



### **Restrain the Animal**

Speed of implantation as well as safety of handlers is best achieved by restraining animal in a squeeze chute using head restraint. When implanting horned cattle, better control is obtained with additional use of nose tongs.



### **Prepare the Implant Site**

Scrub the back side of the ear (implant site) with a piece of clean absorbent cotton which has been soaked with topical germicidal solution. Follow manufacturer's directions on germicide for correct strength and preparation of solution. Avoid getting disinfectant in animal's eyes.

### **Where to Implant**

The full contents of one cartridge cell should be implanted beneath the skin on the back side of the middle one-third of the ear as illustrated in the drawing. The implant must not be closer to the head than the edge of the auricular cartilage ring farthest from the head. The location for insertion of the needle is a point toward the tip of the ear and at least a needle length away from the intended deposition site.

Avoid injuring the large arteries, veins and cartilage of the ear.



### **Insert the Needle**

With one hand firmly grasp the ear. With other hand insert needle point through the skin and ease forward on a lateral plane until the entire length of the needle is under the skin.



### **Implant the Pellets**

After inserting the needle fully in the correct position, squeeze the trigger fully as the needle is withdrawn from the ear. This properly deposits the implant in the needle track. This procedure should prevent breakage or crushing of

pellets if otherwise forced into contact with tough fibrous-tissue underlying the skin. The length and total contact area of a single dose are designed to permit absorption of the hormones after implantation to stimulate good weight gain. Broken or crushed pellets may interfere with rates of gain and may lead to undesirable side effects such as noted in the CAUTION.

**Clean the Needle**

Clean the implanter needle with alcohol or a properly diluted germicidal solution prior to implanting the next animal.

**Storage Conditions**

Store at controlled room temperature 15° to 30° C (59° to 86° F)

DO NOT refrigerate - avoid excessive heat and humidity. Discard open foil pouches.

NADA 110-315, Approved by FDA

**Manufactured by a non-sterilizing process.**

Component E-S with Tylan (progesterone and estradiol and tylosin implant) is covered by U.S. Patent No. 5,874,098

Component, Tylan, Elanco and the diagonal bar logo are trademarks of Elanco or its affiliates.

Distributed by Elanco US, Inc., Greenfield, IN 46140, USA

Tylosin: Product of the United Kingdom

To report adverse events, access medical information, or to obtain additional product information, call 1-800-428-4441

PA100985X

AH0507

**CPN:** 1131053.0