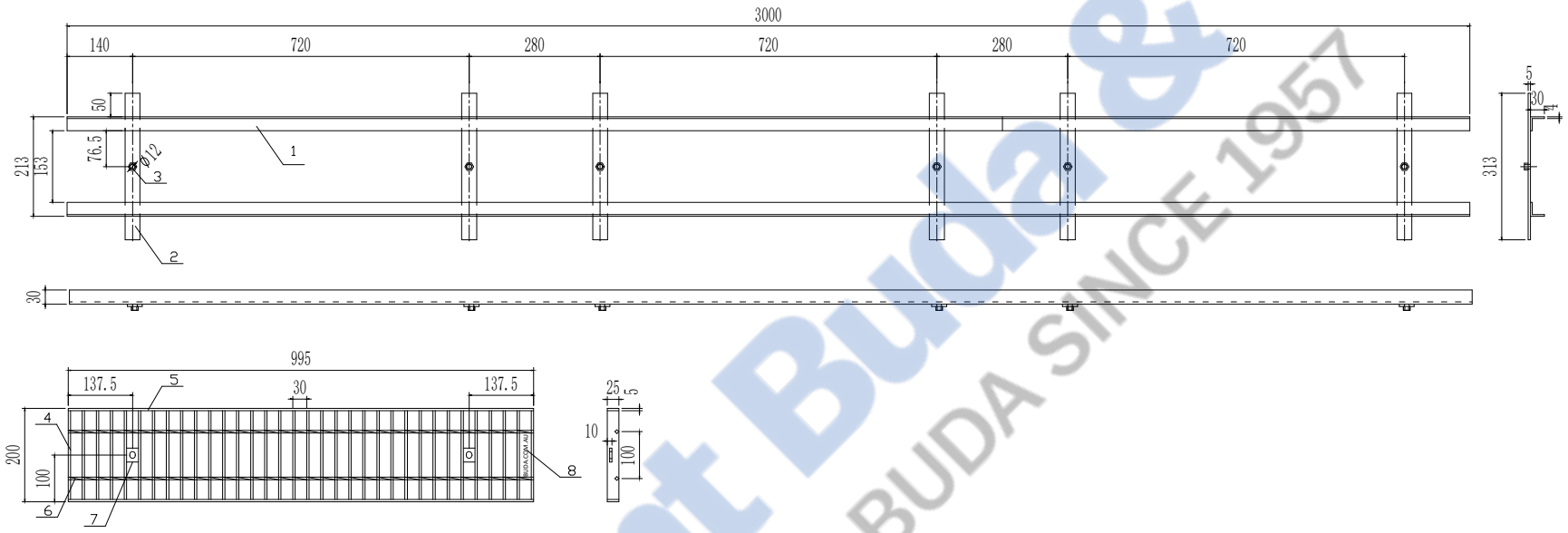


Part	No	Material	Size	QTY
Frame	1	L30*4 Angle	2000	2
	2	32*5 Flat Bar	313	4
	3	M10*30 Bolt		4
Grating	4	25*5 Flat Bar	190	68
	5	25*5 Flat Bar	995	4
	6	6*6 Cross Bar	995	4
	7	25*5 Flat Bar	30	4
	8	BUDA.COM.AU	88	2

200MM2

Vincent Buda and Company



Part	No	Material	Size	QTY
Frame	1	L30*4 Angle	3000	2
	2	32*5 Flat Bar	313	6
	3	M10*30 Bolt		6
Grating	4	25*5 Flat Bar	190	102
	5	25*5 Flat Bar	995	6
	6	6*6 Cross Bar	995	6
	7	25*5 Flat Bar	30	6
	8	BUDA.COM.AU	88	3

200MM3  
 Vincent Buda and Company