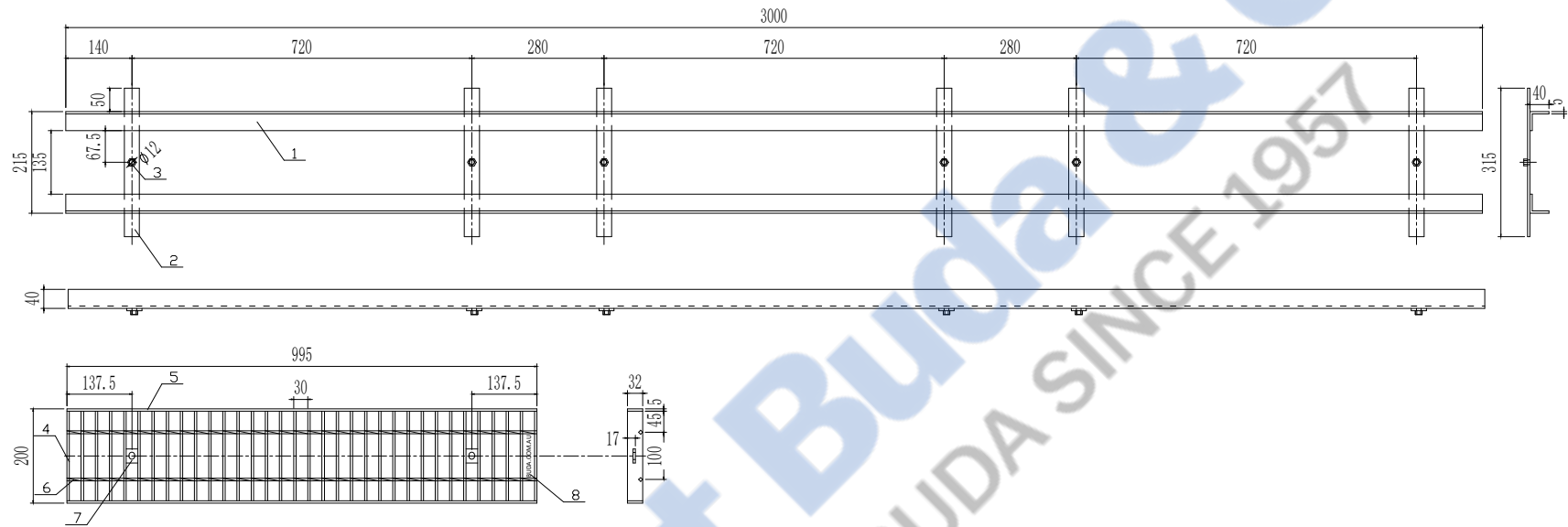


Part	No	Material	Size	QTY
Frame	1	L40*5 Angle	2000	2
	2	32*5 Flat Bar	315	4
	3	M10*35 Bolt		4
Grating	4	32*5 Flat Bar	190	68
	5	32*5 Flat Bar	995	4
	6	6*6 Cross Bar	995	4
	7	25*5 Flat Bar	30	4
	8	BUDA.COM.AU	88	2

200HEAVY2

Vincent Buda and Company

Drawings are for guide purposes only and may be subject to change at any time.



Part	No	Material	Size	QTY
Frame	1	L40*5 Angle	3000	2
	2	32*5 Flat Bar	315	6
	3	M10*35 Bolt		6
Grating	4	32*5 Flat Bar	190	102
	5	32*5 Flat Bar	995	6
	6	6*6 Cross Bar	995	6
	7	25*5 Flat Bar	30	6
	8	BUDA.COM.AU	88	3

200HEAVY3

Vincent Buda and Company

Drawings are for guide purposes only and may be subject to change at any time.