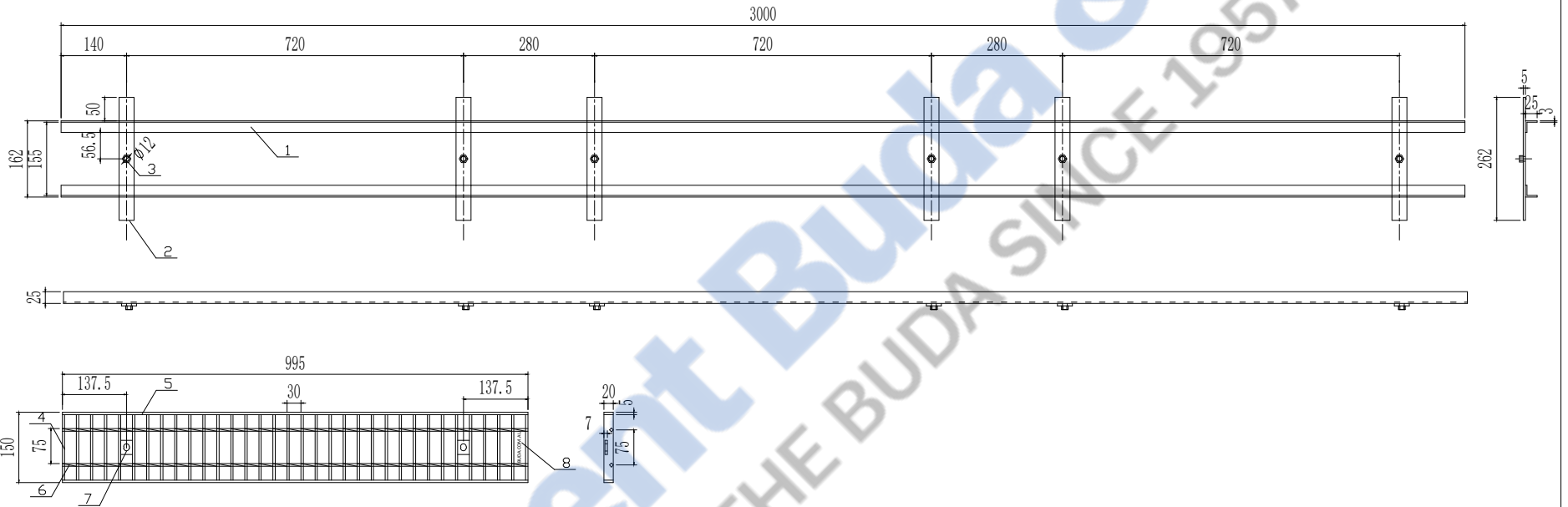


Part	No	Material	Size	QTY
Frame	1	L25*3 Angle	2000	2
	2	32*5 Flat Bar	262	4
	3	M10*30 Bolt		4
Grating	4	20*5 Flat Bar	140	68
	5	20*5 Flat Bar	995	4
	6	6*6 Cross Bar	995	4
	7	25*5 Flat Bar	30	4
	8	BUDA.COM.AU	70	2

150MM2

Vincent Buda and Company



Part	No	Material	Size	QTY
Frame	1	L25*3 Angle	3000	2
	2	32*5 Flat Bar	262	6
	3	M10*30 Bolt		6
Grating	4	20*5 Flat Bar	140	102
	5	20*5 Flat Bar	995	6
	6	6*6 Cross Bar	995	6
	7	25*5 Flat Bar	30	6
	8	BUDA.COM.AU	70	3

150MM3
Vincent Buda and Company



Drawings are for guide purposes only and may be subject to change at any time.