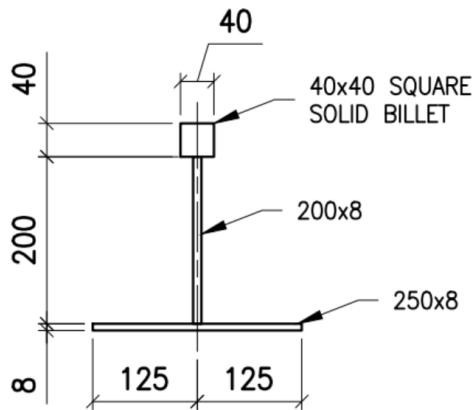


# MAXI T BAR LOAD TABLES



**Vincent Buda & Co.**  
TRUST THE BUDA SINCE 1957

Australian Certified Innovation Patent  
Number 2020100066



PROFILE SECTION

- > Cost Effective off the shelf product specifically designed for cavity walls
- > Comprised of 3 elements, a 250 x 8 Horizontal flat bar attached to a 200 x 8 vertical flat bar with a 40 x 40 solid square billet connected to the top shown in the profile section for added strength
- > Can be used double brick or brick veneer
- > Available in various lengths
- > Complies with AS4100-1998 (Steel Structures) , AS4680:2006 (Hot Dip Gal), AS1170.1:2002 (Loads)
- > Designed & Engineered in Australia

## Vincent Buda® Maxi T Bar Safe Load Tables

- > Vertical Leg 200 x 8 Platform Leg 250 x 8 - 42.5kg per metre

Span (mm)	2400	2700	3000	3300	3600	3900	4200	4500	4800	5100	5400	5700	6000
Bar Length (mm)	2700	3000	3300	3600	3900	4200	4500	4800	5100	5400	5700	6000	6300
UDL (kg/m)	9272	7091	5561	<b>4372</b>	<b>3368</b>	<b>2649</b>	<b>2120</b>	<b>1724</b>	<b>1420</b>	<b>1184</b>	<b>997</b>	<b>848</b>	<b>727</b>
Point Load (kg)	11127	9573	8342	7345	6523	5836	5255	4757	<b>4263</b>	<b>3776</b>	<b>3368</b>	<b>3023</b>	<b>2728</b>

These load tables assume:

1. Loads in bold are limited by deflection
2. Maxi "TBar" is assumed to be simply supported
3. 150mm minimum bearing length over supports
4. Maxi "TBar" is to be loaded equally on both sides
5. Self-weight of Maxi "TBar" has been accounted for in this table.
6. Loads are not factored. All loads applied to the Maxi "TBar" are to be considered
7. Maxi "TBar" is Hot-dip galvanised to AS/NZS4680 with an R3 rating to AS2699/3. Appropriate level of corrosion protection to be assessed in accordance with NNC requirements.

Information provided in this brochure is supplied to our customers in good faith and with the view to help users in the correct use and installation of this product. While care is taken to ensure the information is accurate, no warranty is made nor is any condition expressed or implied. The information contained therefore does not constitute an offer nor do we guarantee its accuracy or completeness and assume no responsibility for errors or omissions or for any consequences of reliance on this publication.

Vincent Buda and Company  
82-88 Benaroon Rd  
Belmore NSW 2192

(02) 9740 1500  
sales@buda.com.au