



PRODUCT DRAWINGS  
**BERMUDA MEGA SQUARE**

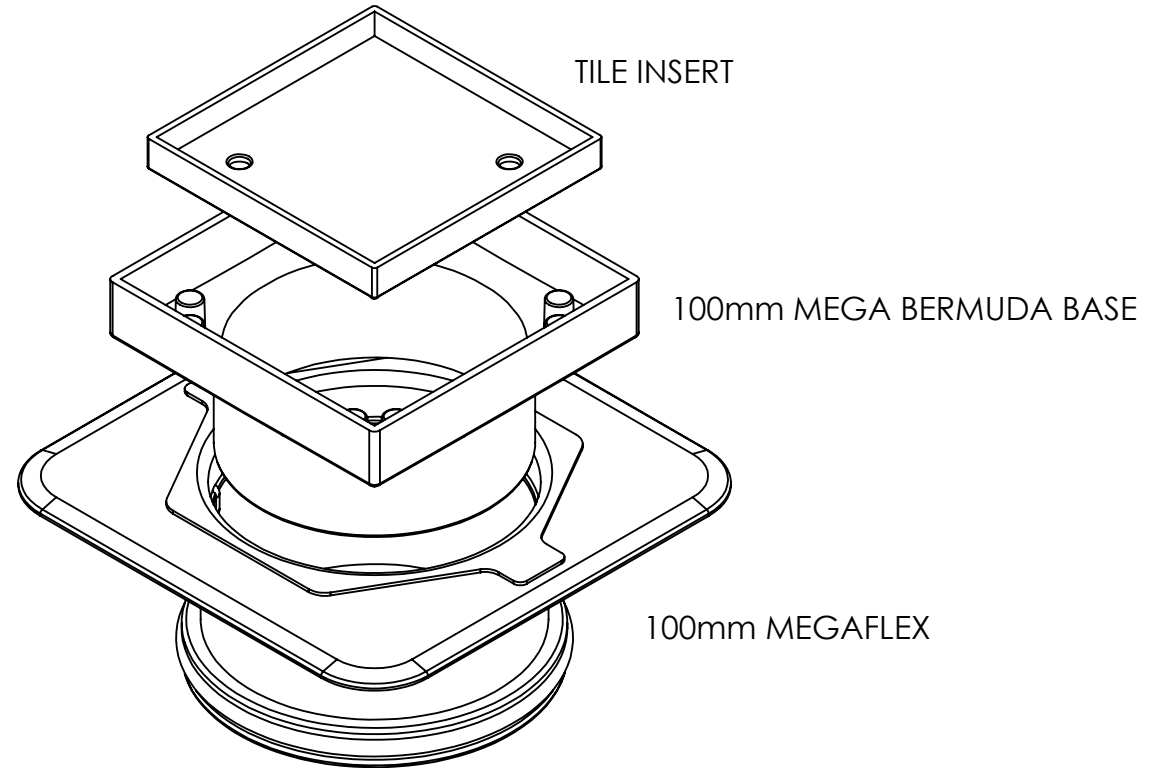
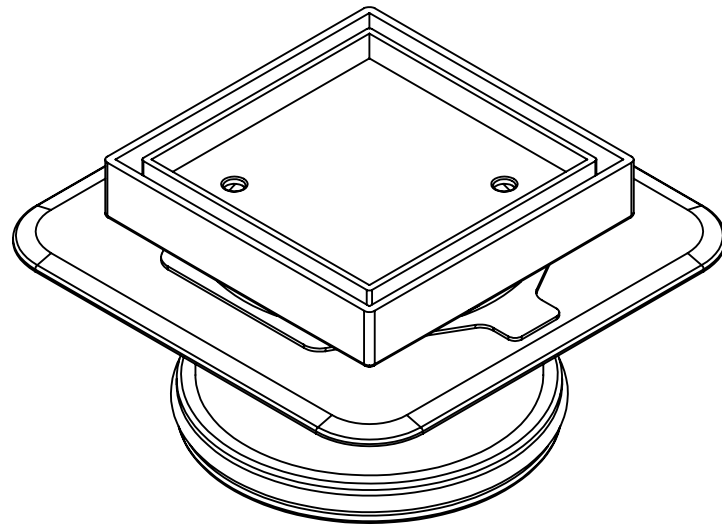
100 x 100

100 x 80

100 x 50

150 x 100

150 x 50



MATERIALS	
Tile Insert	DZR Brass
100mm Mega Bermuda Base	DZR Brass
100mm Megaflex Base	A.B.S.
100mm Megaflex Base (O ring)	Rubber

**100mm SQUARE BERMUDA  
Mega Floor Grate**

UNLESS OTHERWISE STATED:  
DIMENSIONS ARE IN mm  
SURFACE FINISH:  
TOLERANCES:  
LINEAR:  
ANGULAR:

MATERIALS	REV. NO	DESCRIPTION	DATE	APPROVED
PRODUCT CODE		<b>11203.01</b>		

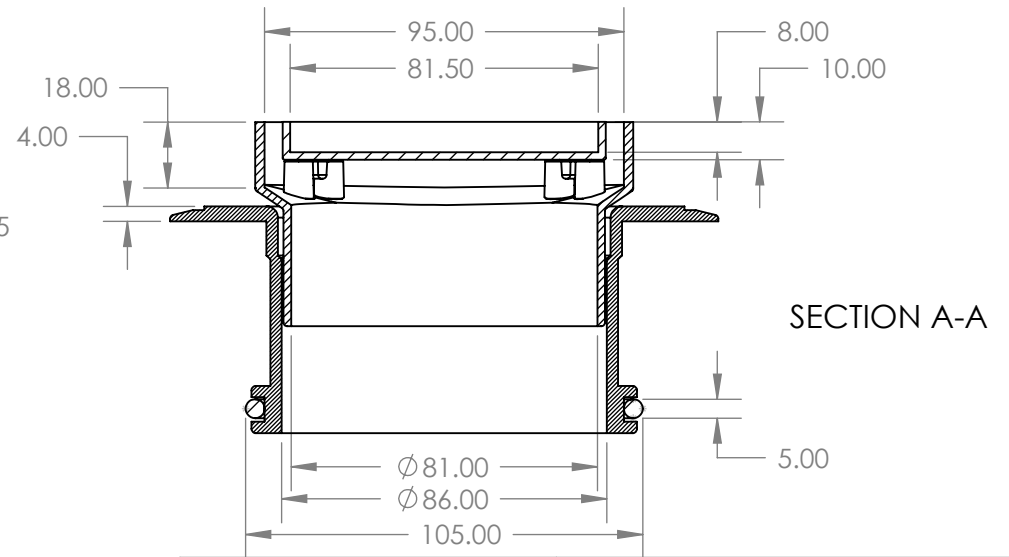
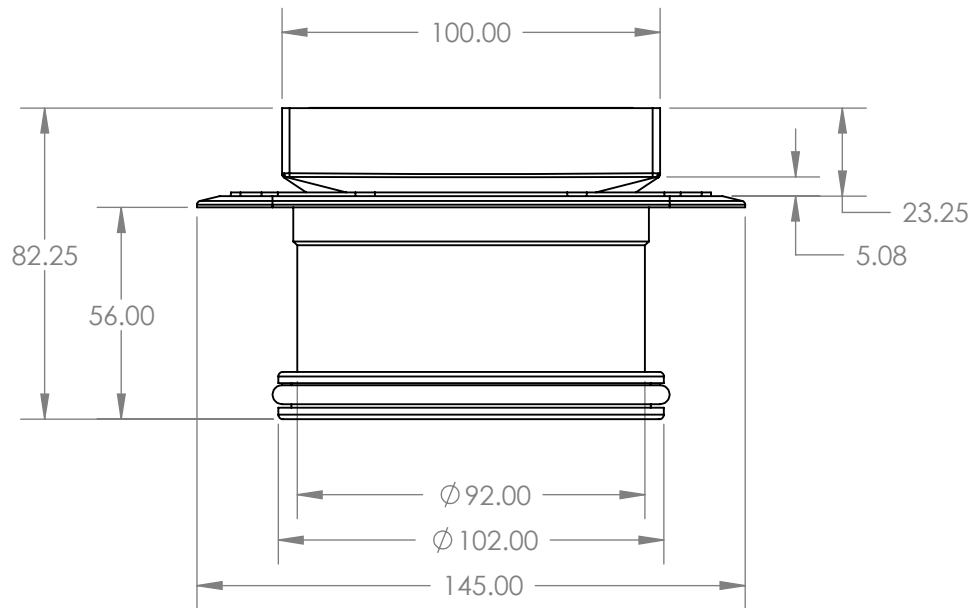
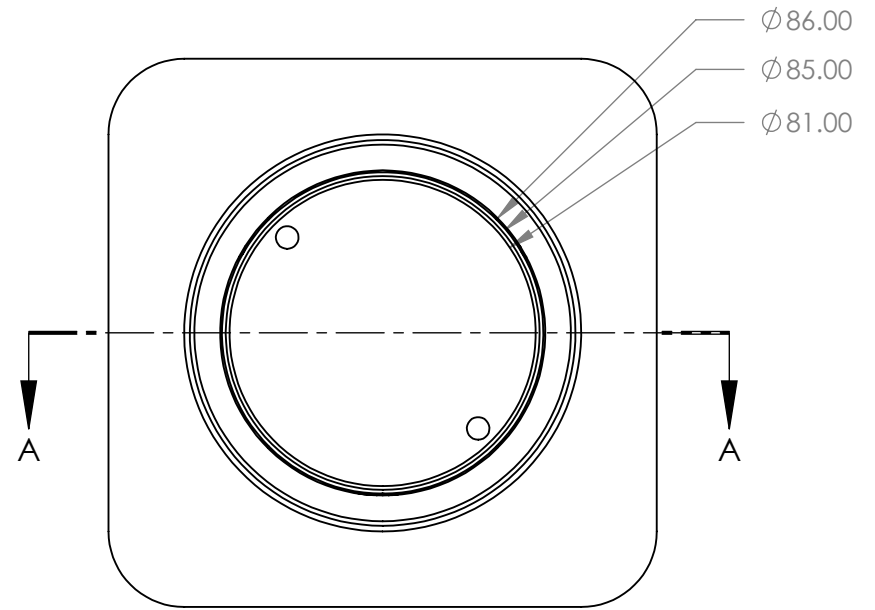
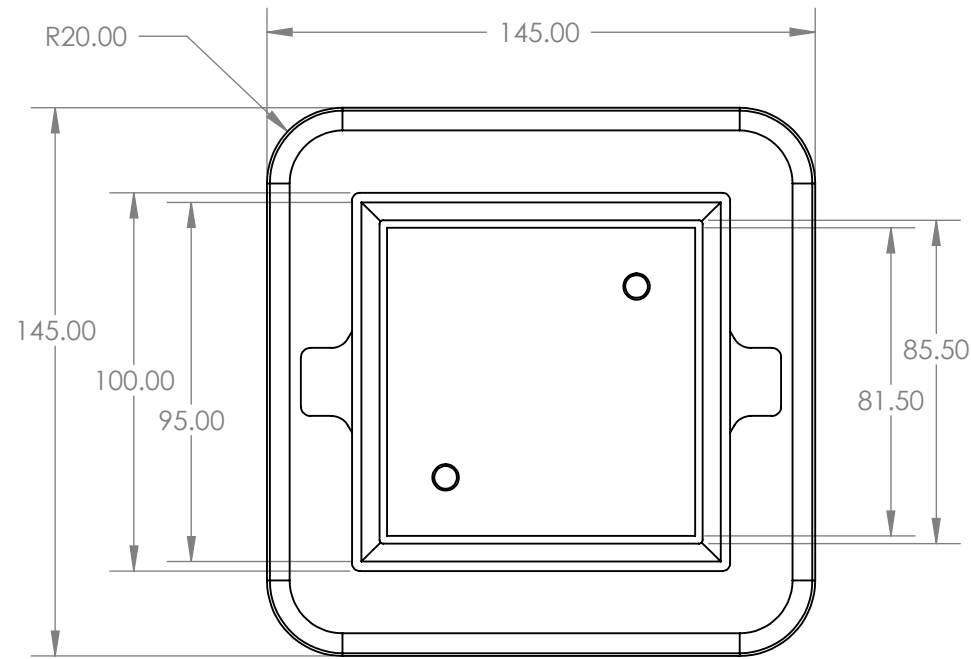
Drawn: **Andrew Suhatam**

Date: *21/01/2010*

SCALE: 1:2

SHEET 1 OF 2





**100mm SQUARE BERMUDA  
Mega Floor Grate**

UNLESS OTHERWISE STATED:  
DIMENSIONS ARE IN mm  
SURFACE FINISH:  
TOLERANCES:  
LINEAR:  
ANGULAR:

MATERIALS	REV. NO	DESCRIPTION	DATE	APPROVED
PRODUCT CODE		<b>11203.01</b>		

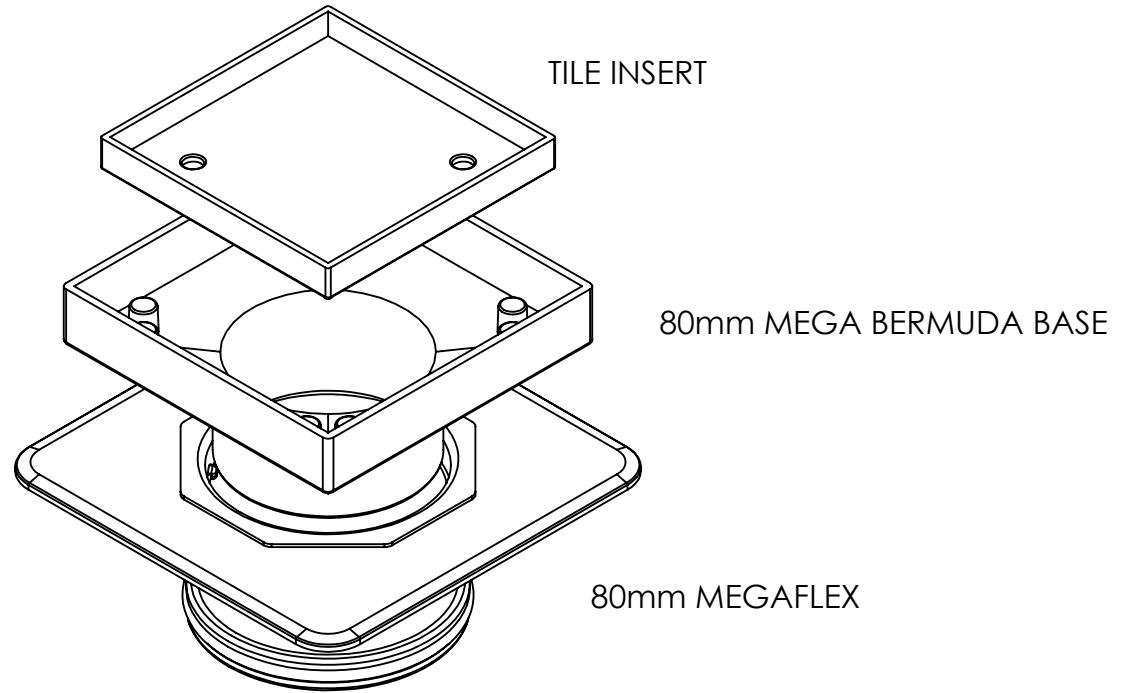
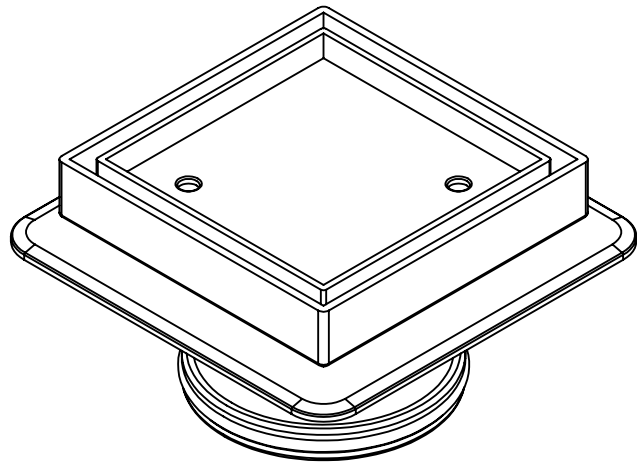
Drawn: **Andrew Suhatam**

Date: *21/01/2010*

SCALE: 1:2

SHEET 2 OF 2





MATERIALS	
Tile Insert	DZR Brass
80mm Base	DZR Brass
80mm Megaflex Base	A.B.S.
80mm Megaflex Base (O ring)	Rubber

**80mm SQUARE BERMUDA  
Mega Floor Grate**

UNLESS OTHERWISE STATED:  
DIMENSIONS ARE IN mm  
SURFACE FINISH:  
TOLERANCES:  
LINEAR:  
ANGULAR:

MATERIALS	REV. NO	DESCRIPTION	DATE	APPROVED
PRODUCT CODE		<b>11204.01</b>		

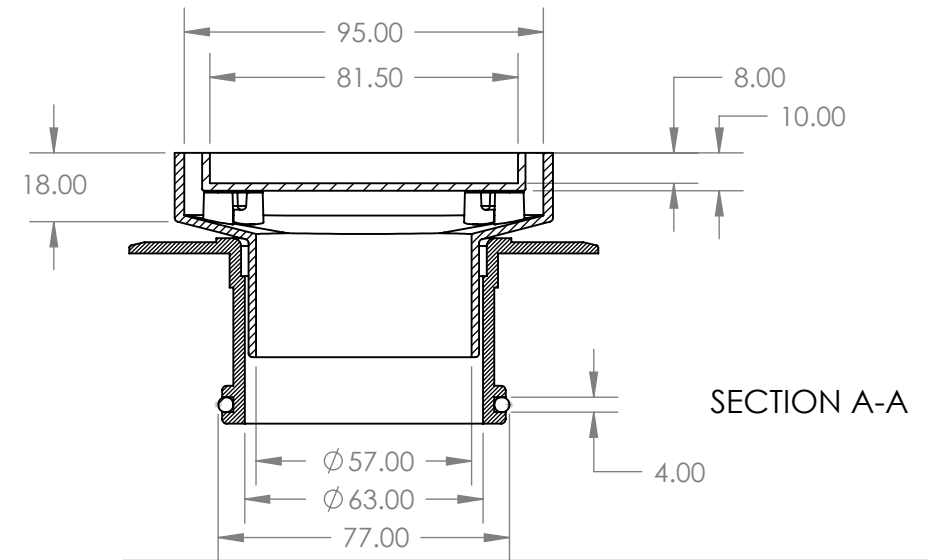
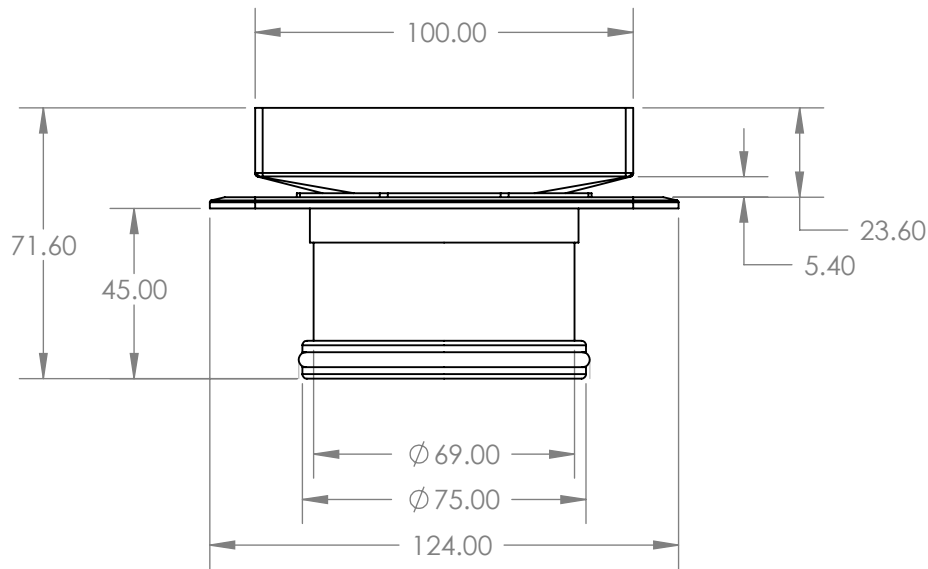
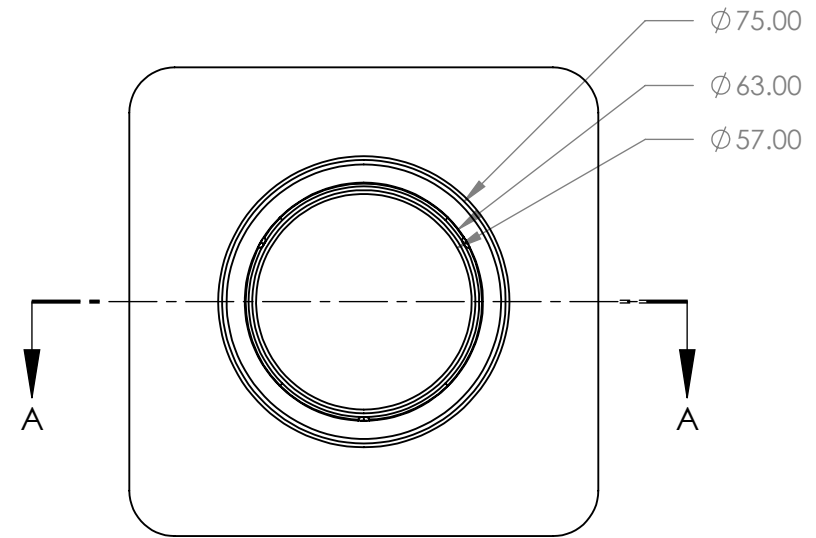
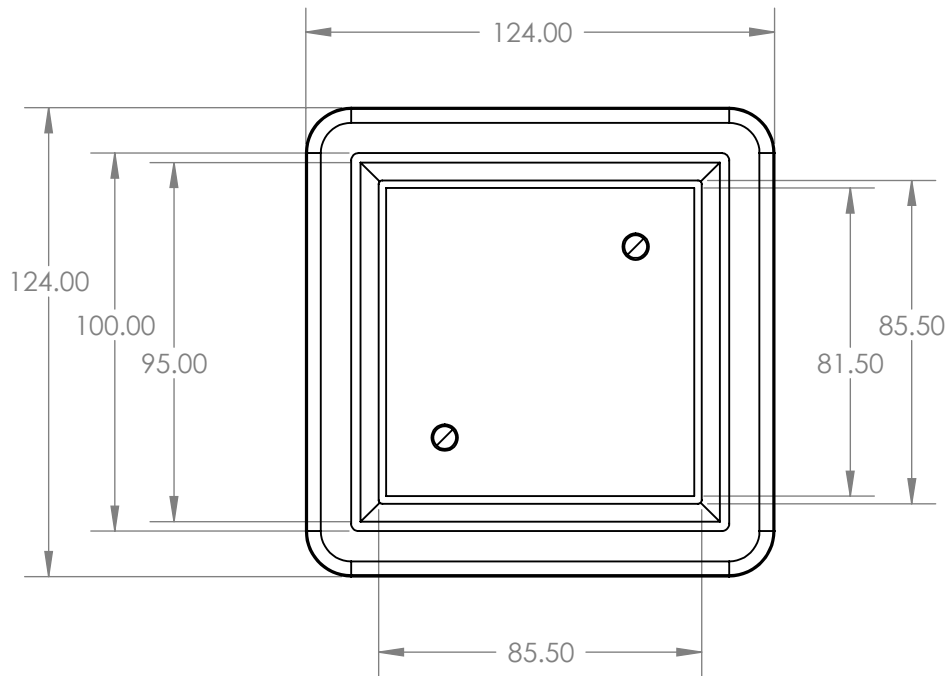
Drawn: **Andrew Suhatam**

Date: *25/01/2010*

SCALE: 1:2

SHEET 1 OF 2





**80mm SQUARE BERMUDA  
Mega Floor Grate**

UNLESS OTHERWISE STATED:  
DIMENSIONS ARE IN mm  
SURFACE FINISH:  
TOLERANCES:  
LINEAR:  
ANGULAR:

MATERIALS	REV. NO	DESCRIPTION	DATE	APPROVED
PRODUCT CODE		<b>11204.01</b>		

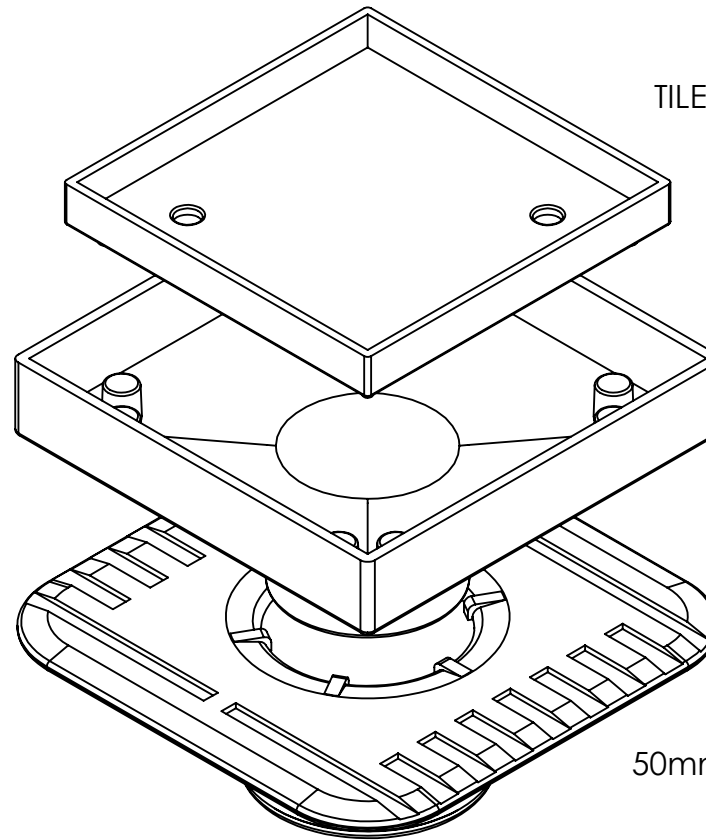
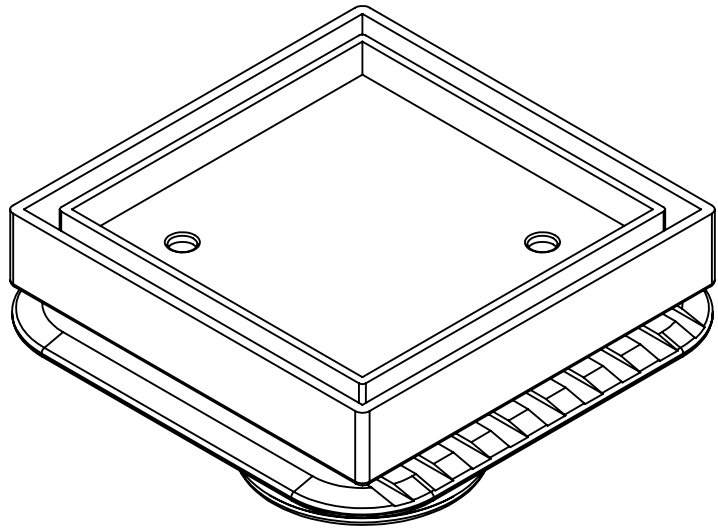
Drawn: **Andrew Suhatam**

Date: *25/01/2010*

SCALE: 1:2

SHEET 2 OF 2





TILE INSERT

50mm MEGA BERMUDA BASE

50mm MEGAFLEX

**MATERIALS**

Tile Insert	DZR Brass
50mm Base	DZR Brass
50mm Megaflex Base	A.B.S.
50mm Megaflex Base (O ring)	Rubber

**50mm SQUARE BERMUDA  
Mega Floor Grate**

UNLESS OTHERWISE STATED:  
DIMENSIONS ARE IN mm  
SURFACE FINISH:  
TOLERANCES:  
LINEAR:  
ANGULAR:

MATERIALS	REV. NO	DESCRIPTION	DATE	APPROVED
PRODUCT CODE		<b>11205.01</b>		

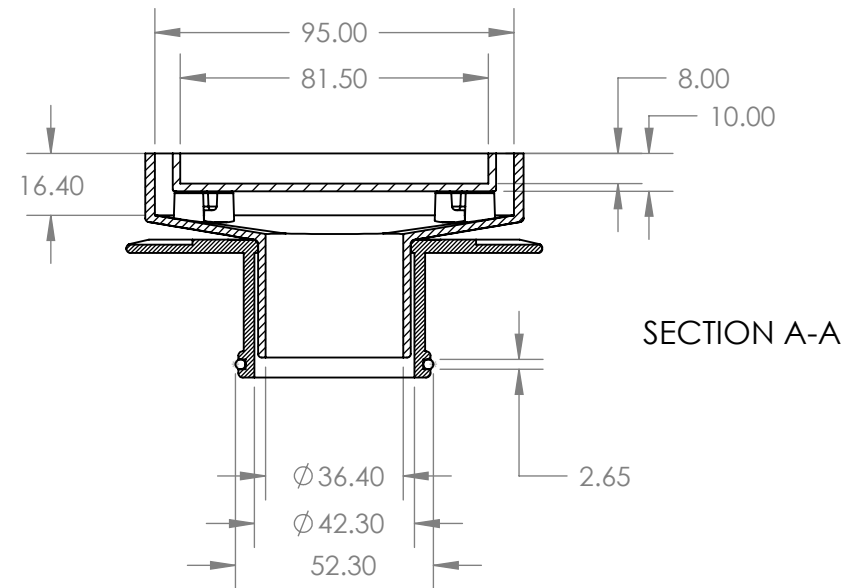
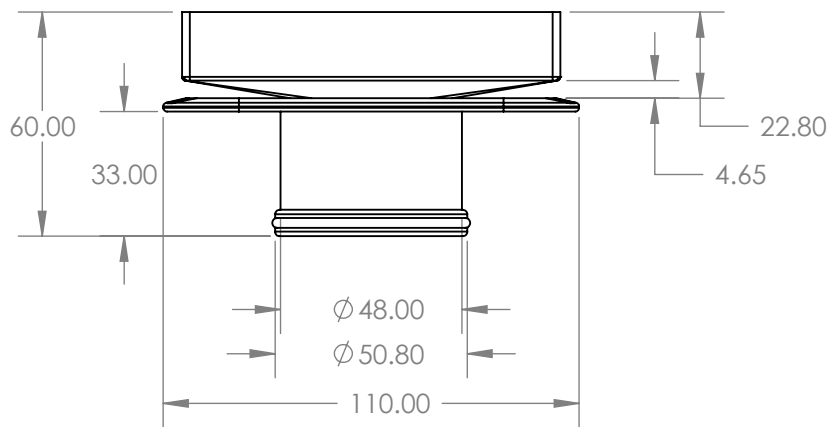
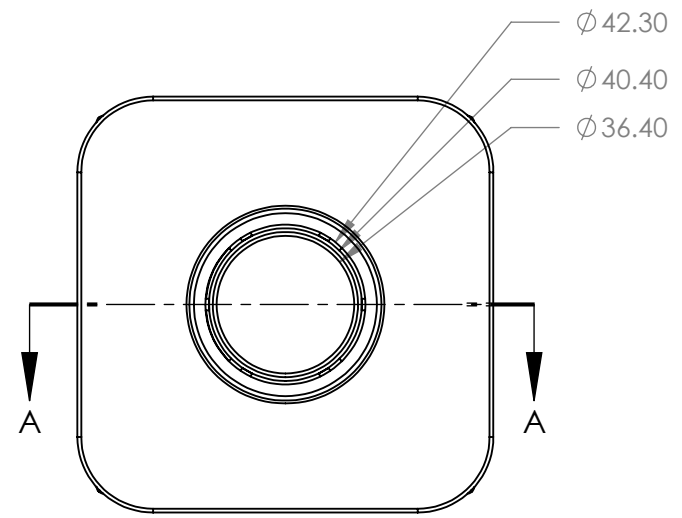
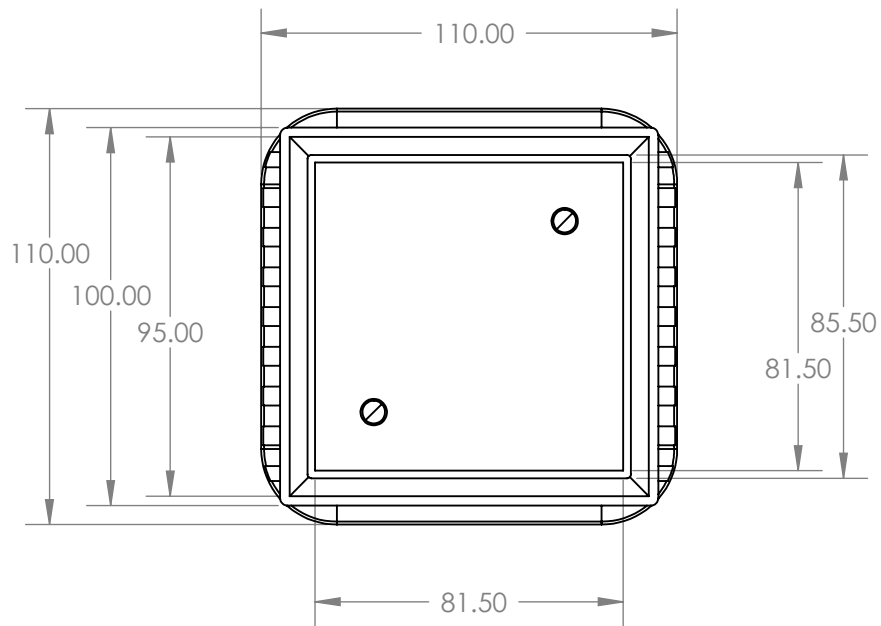
Drawn: **Andrew Suhatam**

Date: *21/01/2010*

SCALE: 1:1.5

SHEET 1 OF 2





**50mm SQUARE BERMUDA  
Mega Floor Grate**

UNLESS OTHERWISE STATED:  
DIMENSIONS ARE IN mm  
SURFACE FINISH:  
TOLERANCES:  
LINEAR:  
ANGULAR:

MATERIALS	REV. NO	DESCRIPTION	DATE	APPROVED
PRODUCT CODE		<b>11205.01</b>		

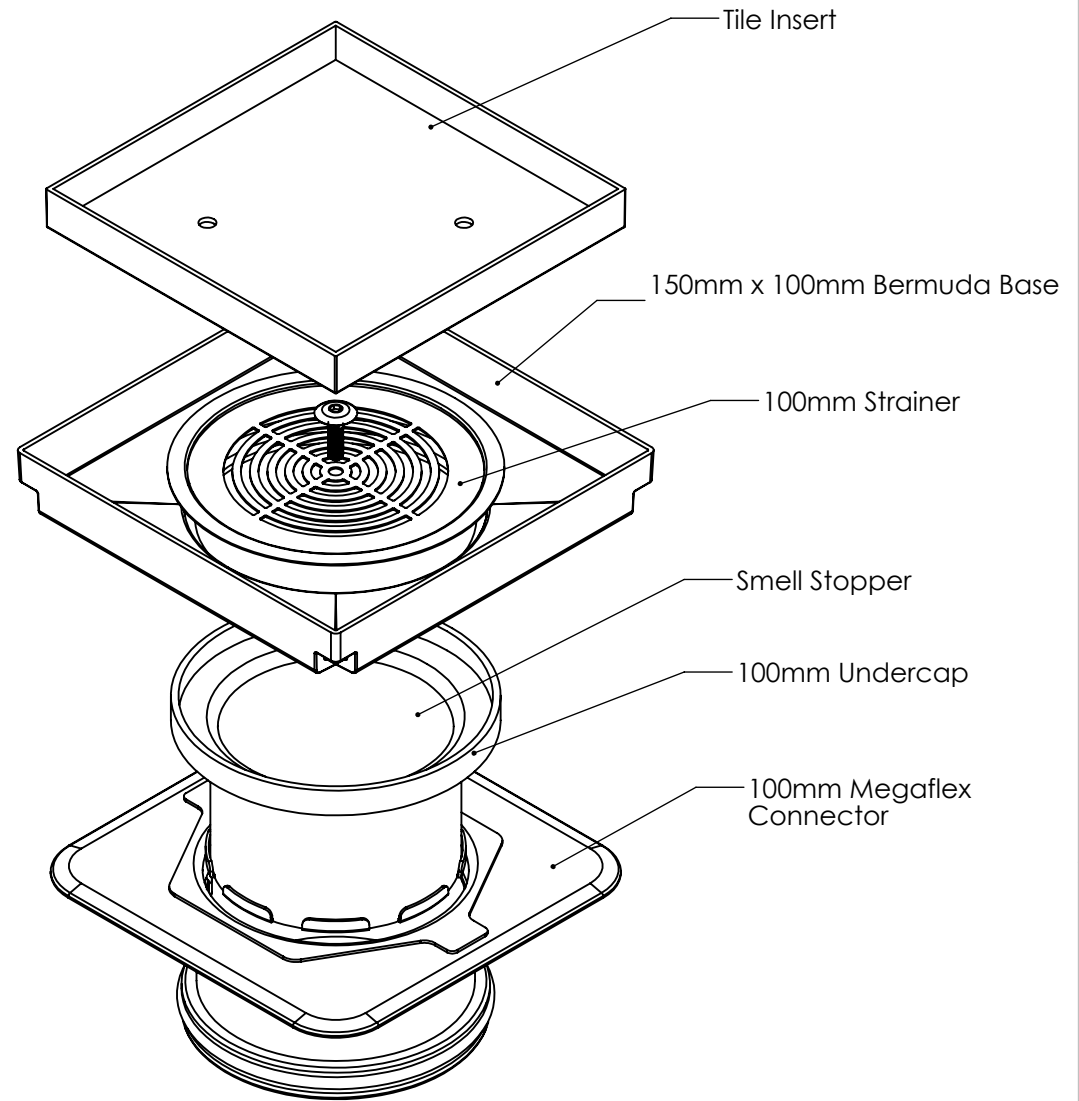
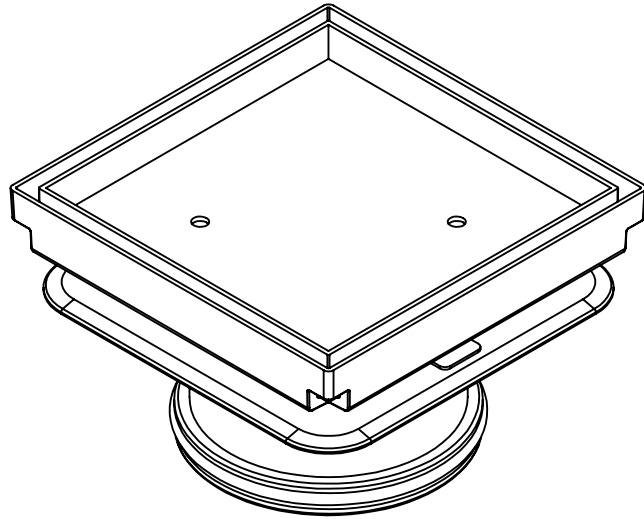
Drawn: **Andrew Suhatam**

Date: *21/01/2010*

SCALE: 1:2

SHEET 2 OF 2





PARTS	MATERIALS	FINISH
Tile insert	DZR Brass	Chrome Plated
100mm Strainer	Stainless Steel	Satin
150mm x 100mm Bermuda Base	DZR Brass	Chrome Plated
Smell Stopper	P.P.	-
100mm Undercap	P.P.	-
100mm Megaflex Connector	A.B.S.	-

**BERMUDA MEGA FLOOR GRATE**  
**150mm X 100mm Floor Grate**

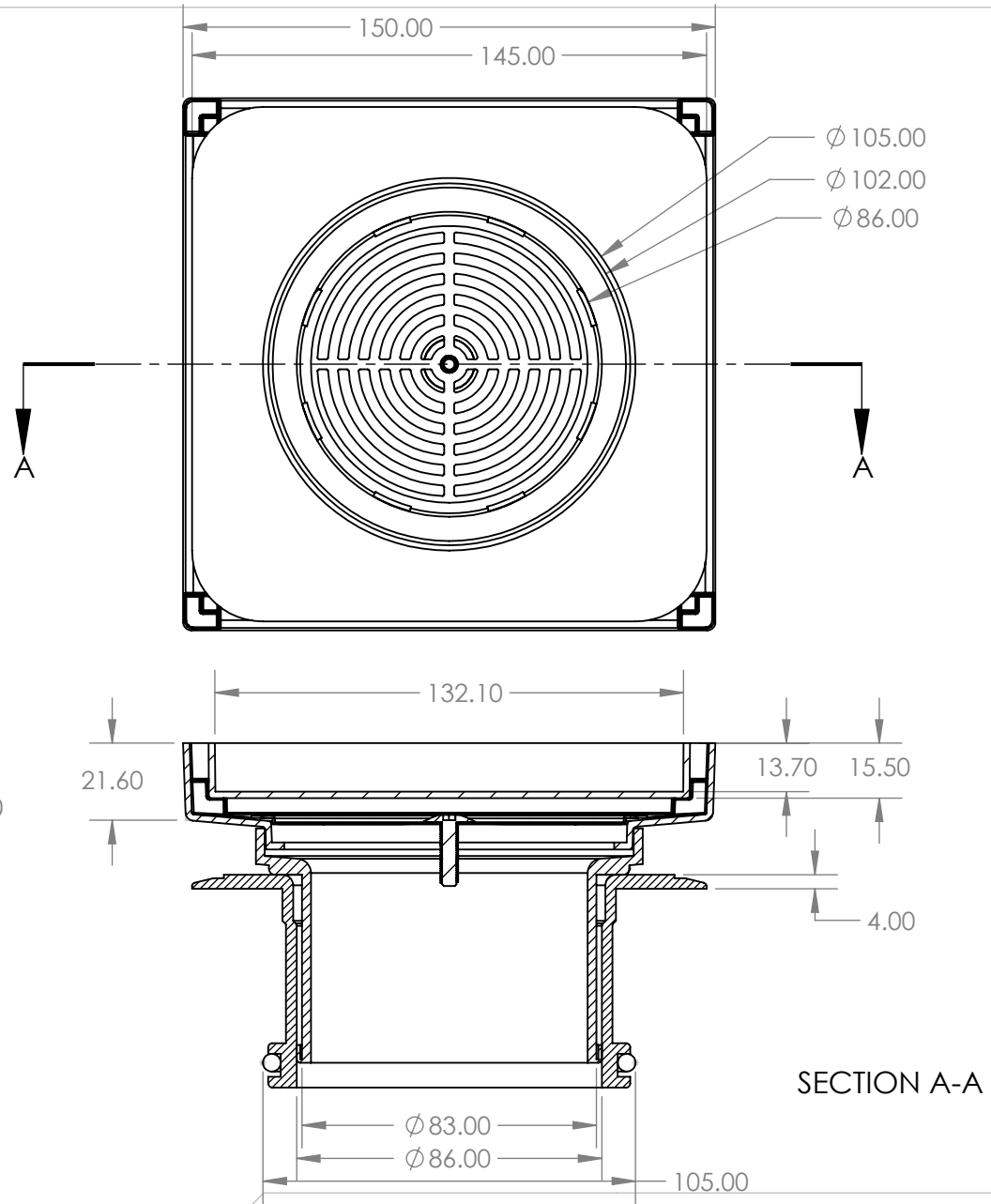
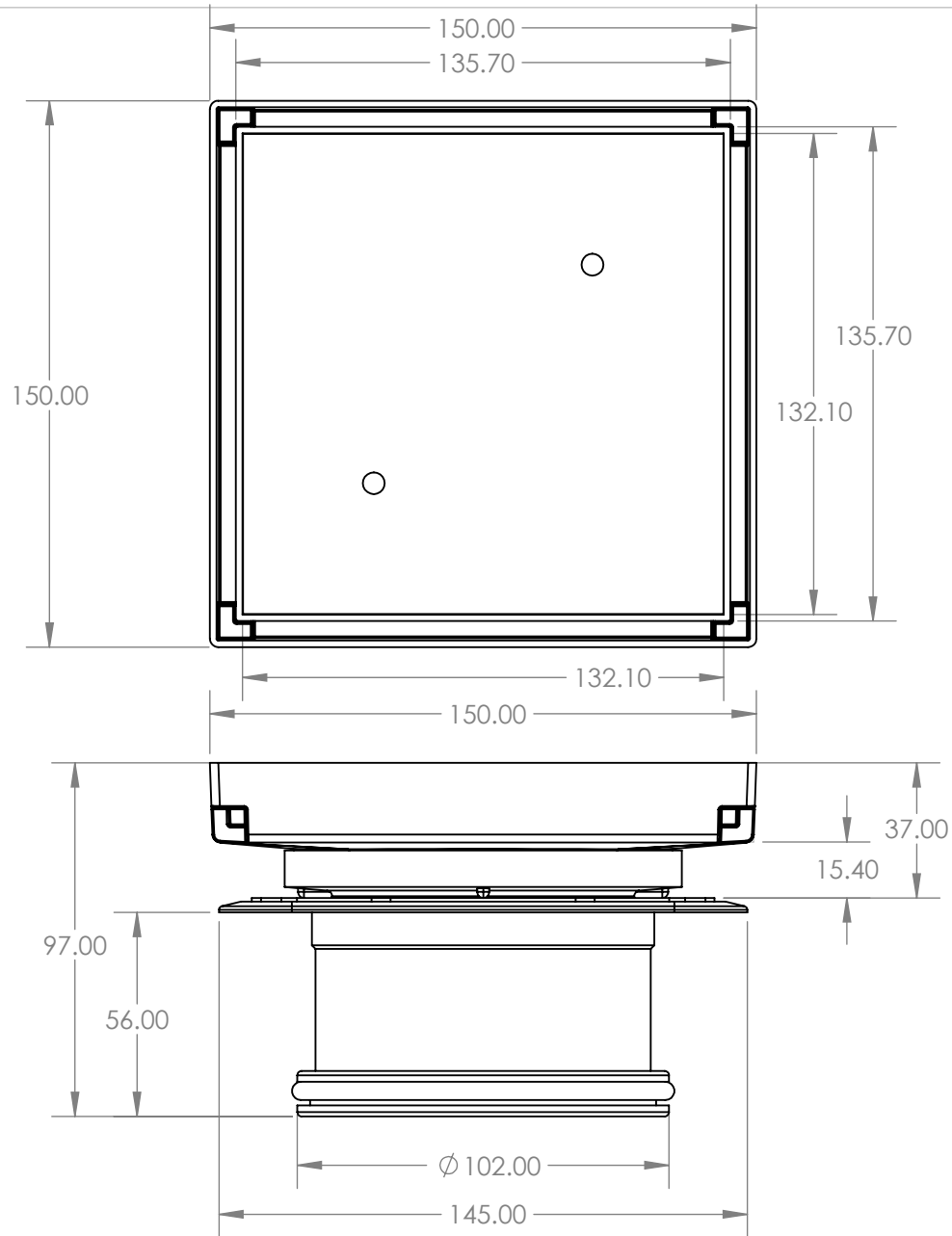
UNLESS OTHERWISE STATED:  
 DIMENSIONS ARE IN mm  
 SURFACE FINISH:  
 TOLERANCES:  
 LINEAR:  
 ANGULAR:

MATERIALS	REV. NO	DESCRIPTION	DATE	APPROVED
PRODUCT CODE		<b>11103.01</b>		

Drawn:	<b>A. S.</b>
Date:	20/2/2011
	SCALE: 1:2.5
	SHEET 1 OF 2







**BERMUDA MEGA FLOOR GRATE**  
**150mm X 100mm Floor Grate**

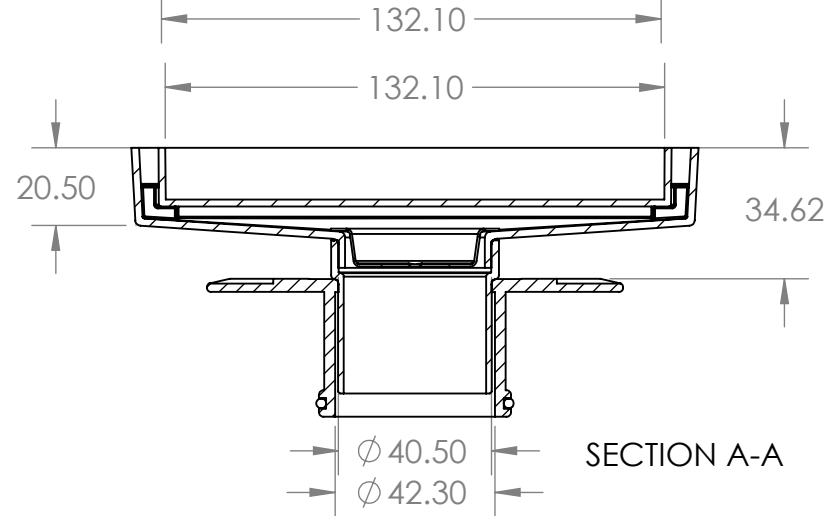
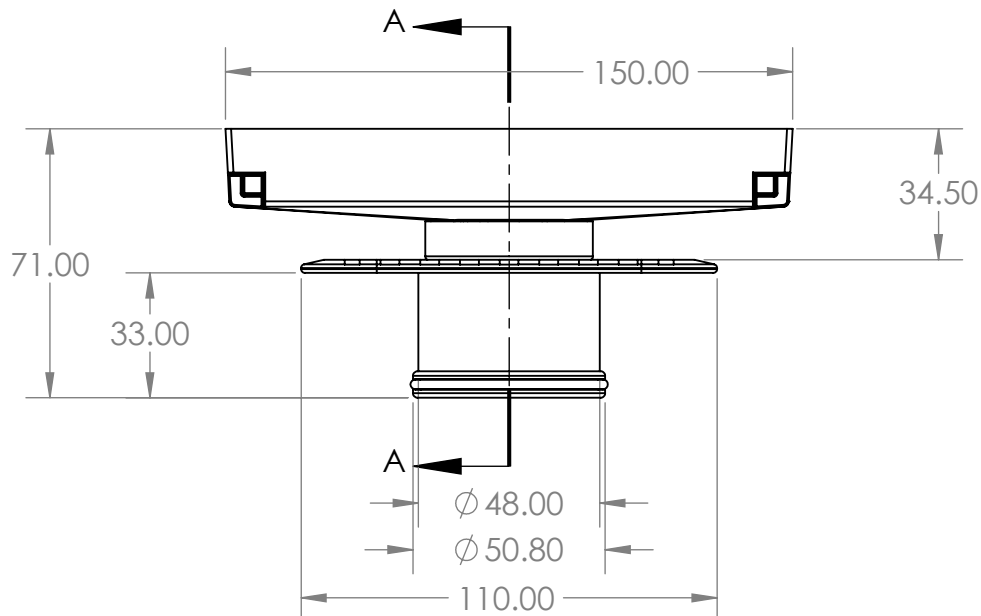
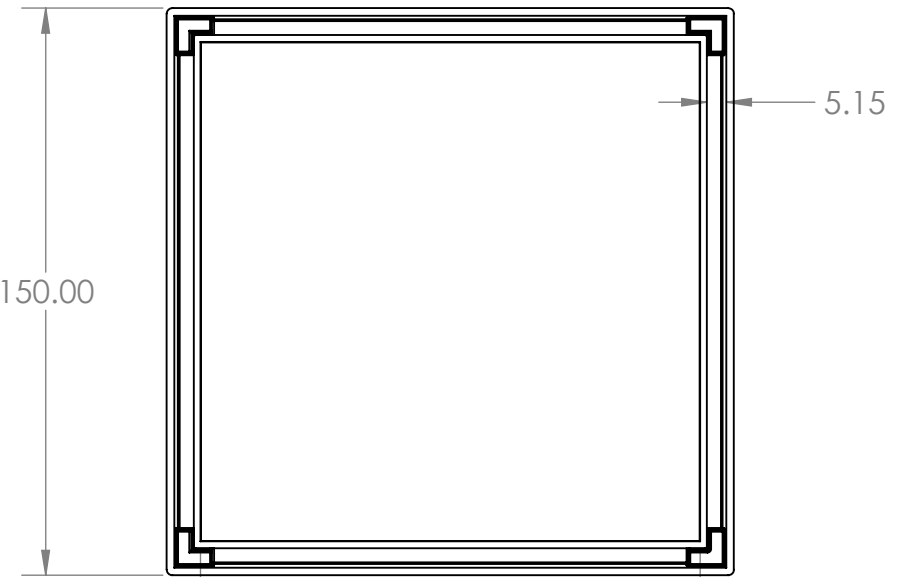
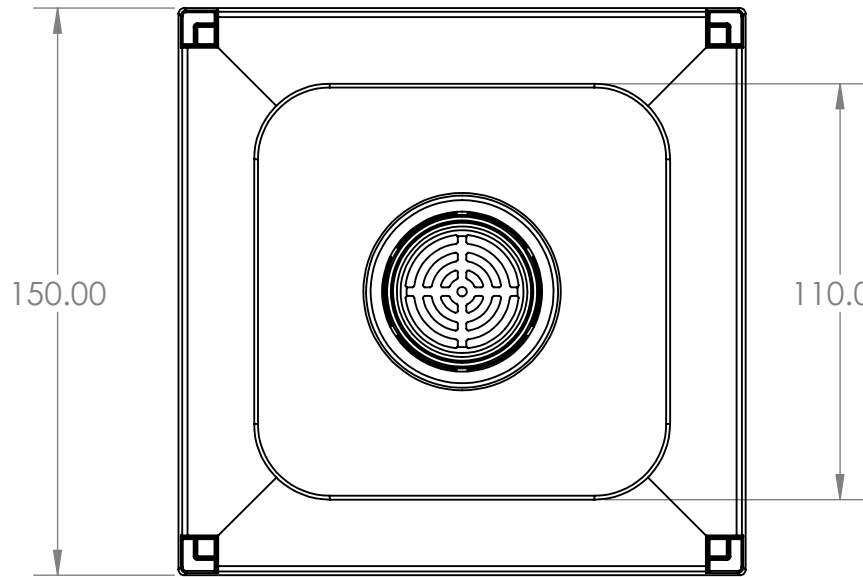
SECTION A-A

UNLESS OTHERWISE STATED:  
 DIMENSIONS ARE IN mm  
 SURFACE FINISH:  
 TOLERANCES:  
 LINEAR:  
 ANGULAR:

MATERIALS	REV. NO	DESCRIPTION	DATE	APPROVED
PRODUCT CODE		<b>11103.01</b>		

Drawn:	<b>A.S.</b>
Date:	20/2/2011
SCALE: 1:2	
SHEET 2 OF 2	





**50mm 150mm BERMUDA MEGA  
Mega Floor Grate**

UNLESS OTHERWISE STATED:  
DIMENSIONS ARE IN mm  
SURFACE FINISH:  
TOLERANCES:  
LINEAR:  
ANGULAR:

MATERIALS	REV. NO	DESCRIPTION	DATE	APPROVED
PRODUCT CODE				

Drawn: **Andrew Suhatam**

Date: *29/3/2011*

SCALE: 1:2

SHEET 1 OF 1

