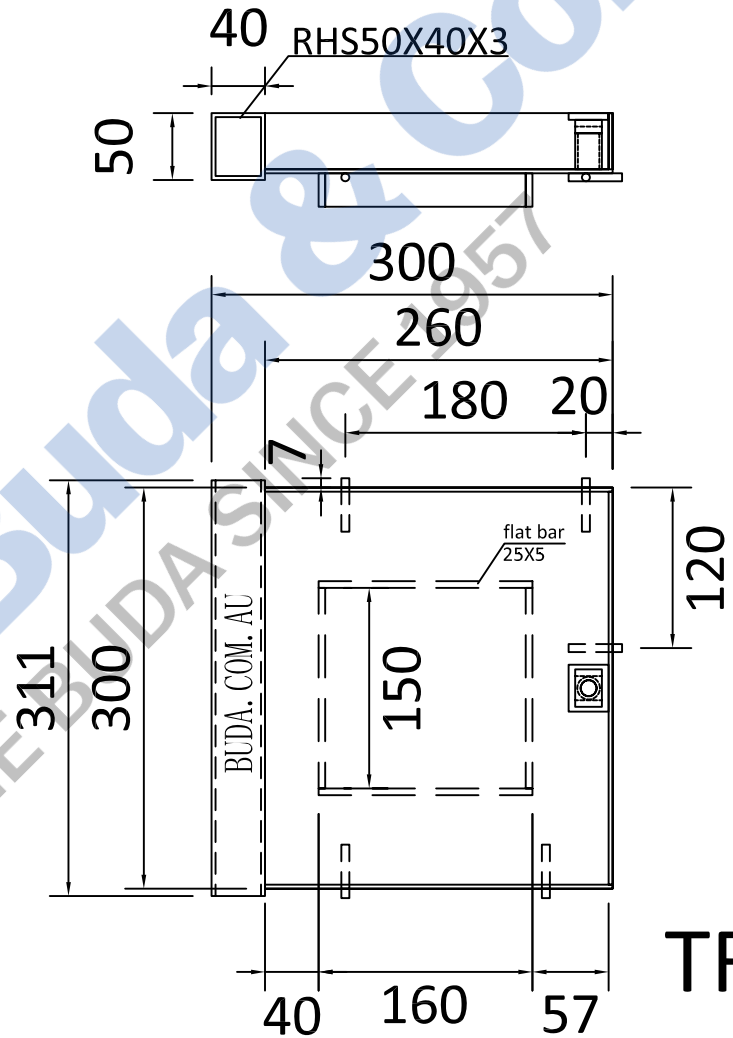


FRAME



TRAY

300PIH

Vincent Buda
and Company

