



FAIRWAY KIT 597496302



TOOLS NEEDED:

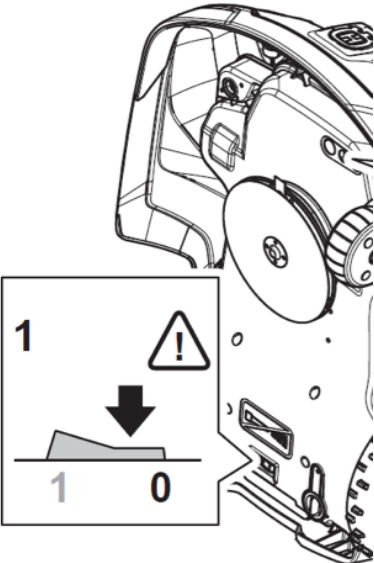


TORX 20

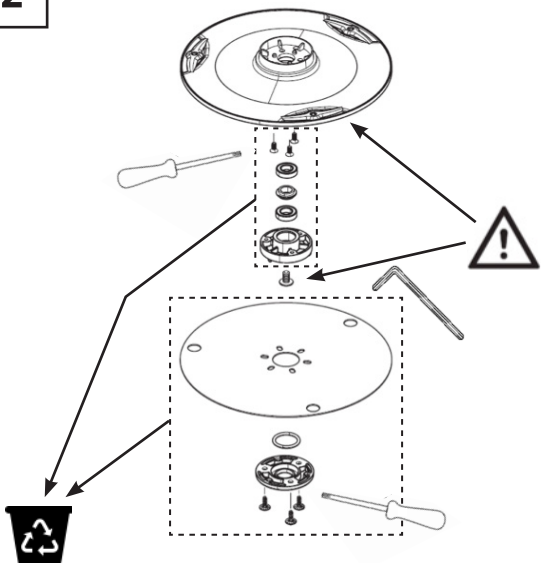
ALLEN KEY 4 MM

ALLEN KEY 2.5 MM

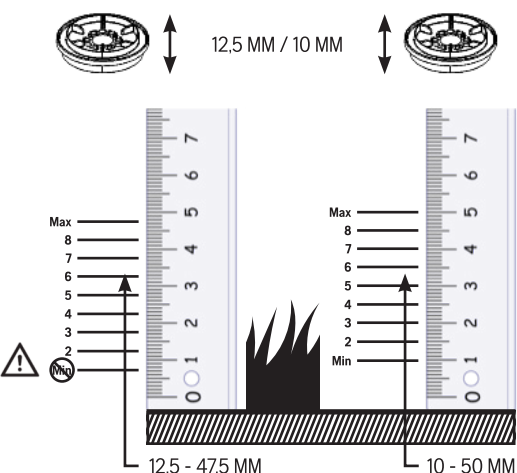
1



2



3

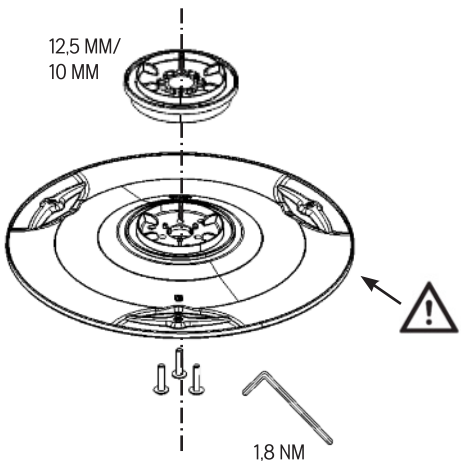


12.5 MM / 10 MM

12.5 - 47.5 MM

10 - 50 MM

4



12.5 MM / 10 MM

1.8 NM



Husqvarna®

597 65 76-02

HUSQVARNA AUTOMOWER®

420, 430X, 440, 450X, 520, 550

FAIRWAY KIT – MOUNTING INSTRUCTION

5

