

Town And Country Series

Mailbox & Bracket Installation Instructions

Applies to Curbside Mailbox Model Numbers:
SCF-1003, SCB-1005, STB-1007, SCC-1008, SCS-1014,
SCB-1015, SCH-1016, SCS-1018, SCS-1019

Hardware Kit Includes Required Items For All Installation Methods:

Includes:

- One (1) fully assembled mailbox
- One (1) wood mounting board
- One (1) mounting bracket

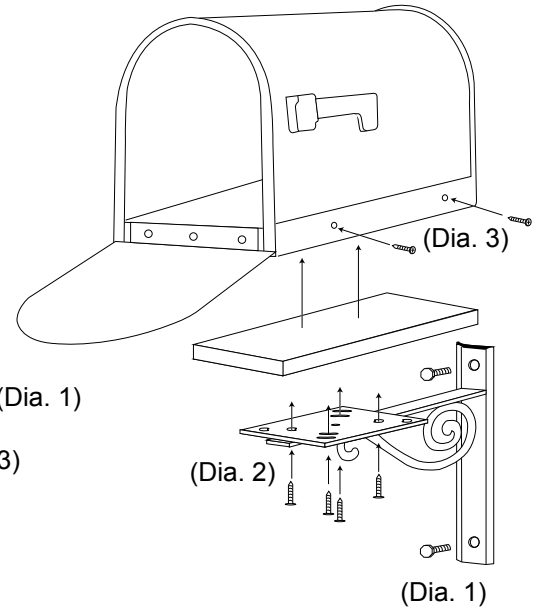
Hardware required when mounting with wood board

- Two (2) 1 1/2" Lag Bolts
- Four (4) 3/4" wood screws
- Four (4) 1 1/4" (no. 8) wood screws

Assembly Instructions:

- Secure mounting bracket to post or solid surface using (2) 1 1/2" Lag Bolts (Dia. 1)
- Attach wood board to mounting bracket using (4) 3/4" wood screws (Dia. 2)
- Attach mailbox to wood mounting board using (4) 1 1/4" wood screws (Dia. 3)

(Make sure wood board does not interfere with door operation.)



Applies to Curbside Mailbox with Newspaper Tube & Curbside Mailboxes where NO wood mounting board is required.

SCF-2003, SCB-2005, STB-2007, SCC-2008, SCT-1010, SCT-2010,
SCS-2014, SCB-2015, SCH-2016, SCK-1017, SCK-2017

Hardware Kit Includes Required Items For All Installation Methods:

Includes:

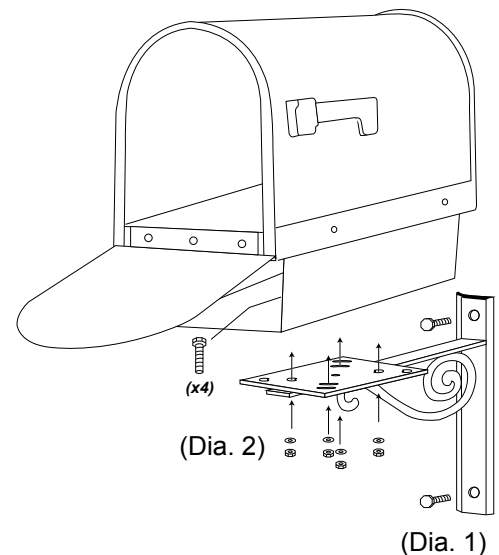
- One (1) fully assembled mailbox
- One (1) mounting bracket

Hardware required when mounting with wood board

- Two (2) 1 1/2" Lag Bolts
- Four (4) M6 x 20mm Bolt, Washer & Nut

Assembly Instructions:

- Secure mounting bracket to post or solid surface using (2) 1 1/2" Lag Bolts (Dia. 1)
- Attach mailbox to mounting bracket using (4) M6 x 20 mm Bolts, Washers and Nuts (Dia. 2)



DWG-24952 SL 09/08/2020