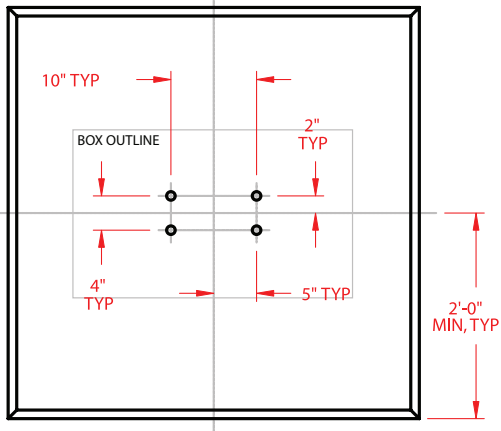
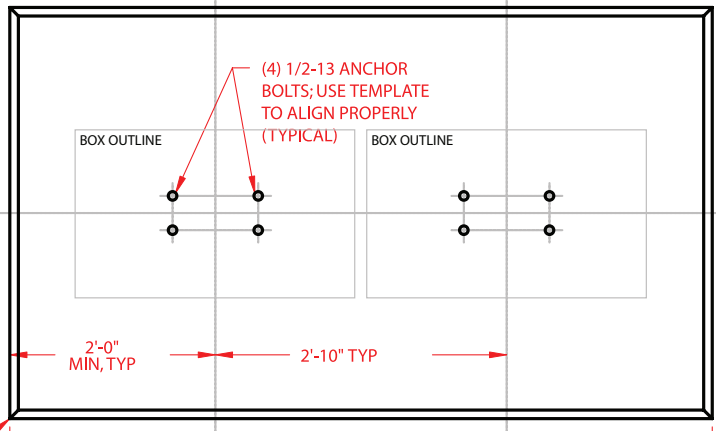


**SINGLE UNIT**



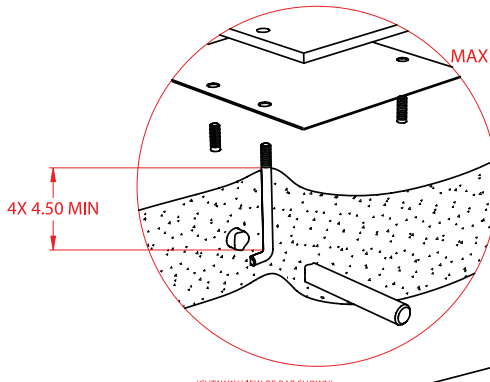
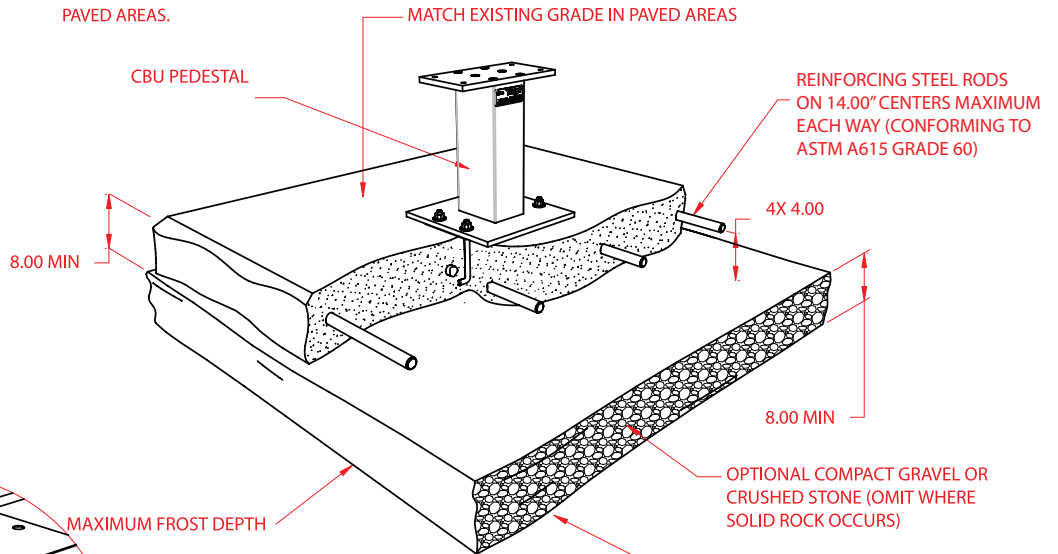
**MULTI-UNITS**



CHAMFER ALL EDGES IN LANDSCAPE AREAS. TOOL FLUSH WITH ADJOINING SURFACES IN PAVED AREAS.

ARRANGE MULTIPLE ANCHOR BOLT SETS AS REQUIRED; BASE NOT TO EXCEED 16'-0"

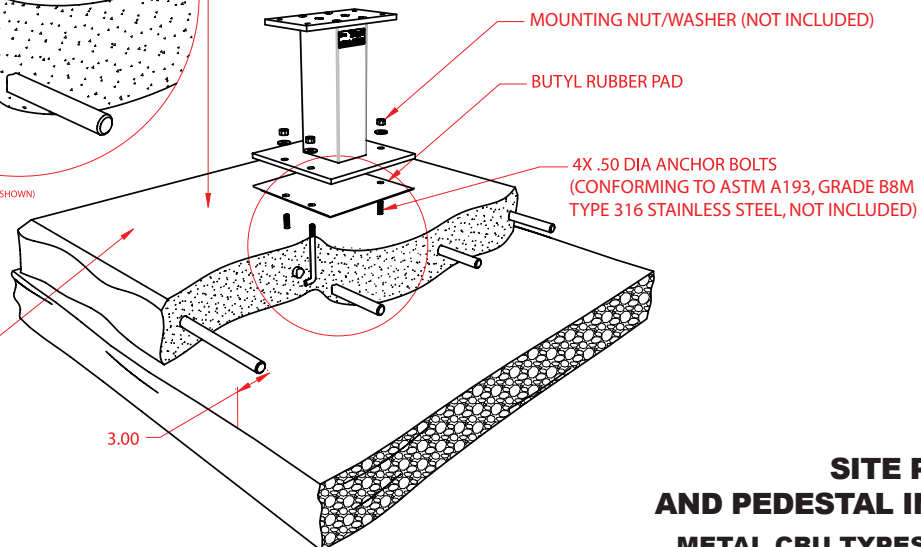
NOTE:  
CONCRETE SHALL HAVE A COMPRESSIVE STRENGTH OF 3000 PSI @ 28 DAYS, CONTAIN 4% MIN ~ 6% MAX AIR ENTRAPMENT AND BE PLACED WITH A 3.50 ~ 4.50 SLUMP IN ACCORDANCE TO 301.



(CUTAWAY VIEW OF BAR SHOWN)

SLOPE SURFACE 0.25 INCH PER FOOT ON ALL SIDES FOR DRAINAGE

FIRM UNDISTURBED SOIL OR WELL-COMPACTED FILL



**SITE PREPARATION AND PEDESTAL INSTALLATION  
METAL CBU TYPES I, II, III, AND IV  
1570 "F" SERIES**

## ATTACHMENT 1

### **RECOMMENDATIONS WHERE REPLACEMENT OF AN EXISTING CBU IS REQUIRED ON AN EXISTING CONCRETE BASE**

**Existing concrete base (foundation pad) must meet the minimum standard depth requirement of 8 inches as defined in the Site Preparation and Pedestal Installation Manual for Types I, II, III and IV for Metal CBU "F" Series.**

1. If existing ½ inch diameter expansion anchor bolts are firmly embedded in the concrete and not damaged or corroded, and the concrete foundation is not damaged, and the bolt hole pattern of the new box matches the installed anchor bolts, then reuse existing concrete base and anchor bolts.

#### **WARNING**

**Any unused, existing anchor bolts must be cut flush to the level of the concrete surface.**

2. If the bolts are damaged but the concrete is not damaged, use recommended expansion anchor bolts as bolt replacements. Examples of concrete damage include cracking, spalling, or chipping of the concrete.

Expansion anchor bolts must be installed in accordance with the manufacturer's instructions. Replace the concrete if it is less than 6 ½ inches thick.

Recommended replacement expansion anchor bolts are as follows:

- a. Hilti Kwik Bolt II ([www.hilti.com](http://www.hilti.com)) – ½ inch diameter x 5 ½ inches overall length

Galvanized

KB II 12-512, stainless steel

**Ensure that the minimum embedment in concrete is at least 3 ½ inches**

- b. ITW Ramset Redhead Trubolt ([www.ramset-redhead.com](http://www.ramset-redhead.com))

Galvanized, ½ inch diameter x 7 inches overall length

**Ensure that the minimum embedment in concrete is at least 4 1/8 inches**

- c. Rawl Stud ([www.rawl.com](http://www.rawl.com))

Galvanized, ½ inch diameter x 5 ½ inches overall length

**Ensure that the minimum embedment in concrete is at least 4 inches**

3. If concrete is damaged, replacement of foundation pad is required.