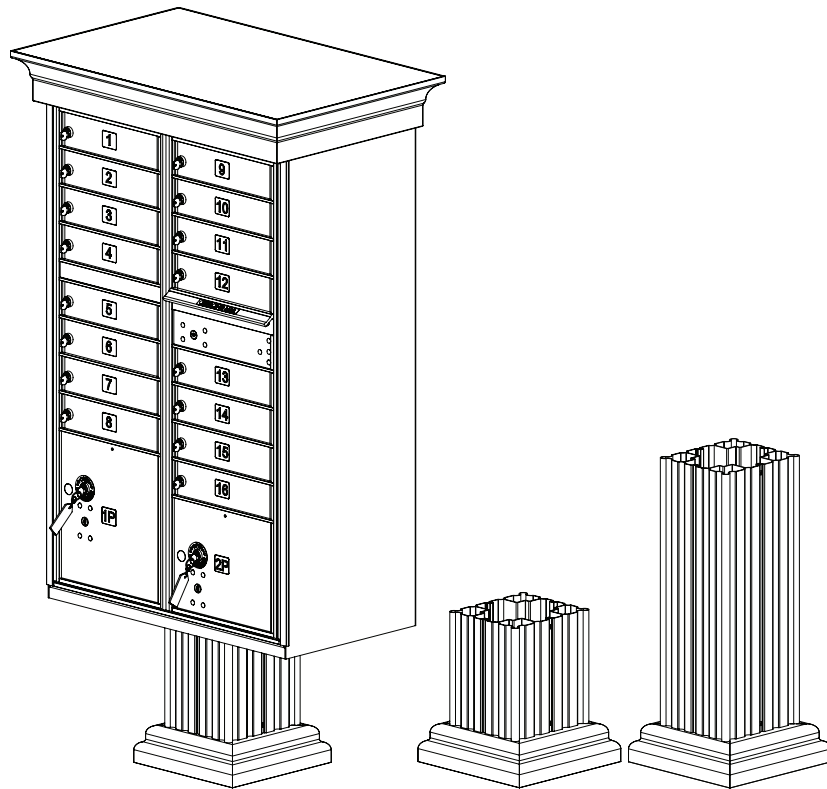


# Installation Manual Pillar Pedestal Cover

## vogue™ cluster box accessories



## TABLE OF CONTENTS

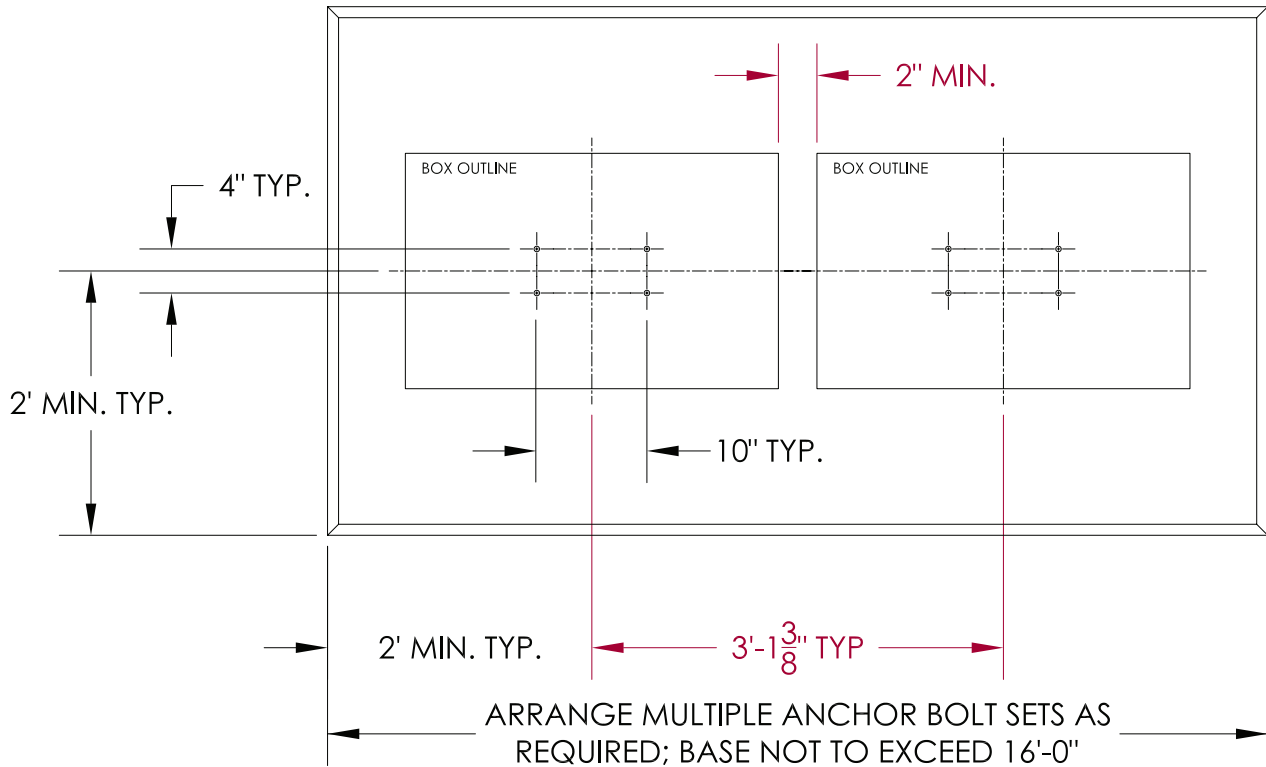
Description	Page
Multi-unit Pad Specification	2
Pedestal Cover Parts	3
Pillar Pedestal Lower Base Cover Installation	4
Pillar Pedestal Vertical Cover Installation	6

**AF FLORENCE**  
manufacturing company

5935 Corporate Drive • Manhattan, KS 66503  
www.auth-florence.com • (800) 275-1747

A GIBRALTAR INDUSTRIES COMPANY 

**Multi-unit Pad Specification**



*The Multi-pad Specification above is being furnished in the event you are installing the Pillar Pedestal Cover in combination with the Florence Crown Molding Cap.*



**Caution**

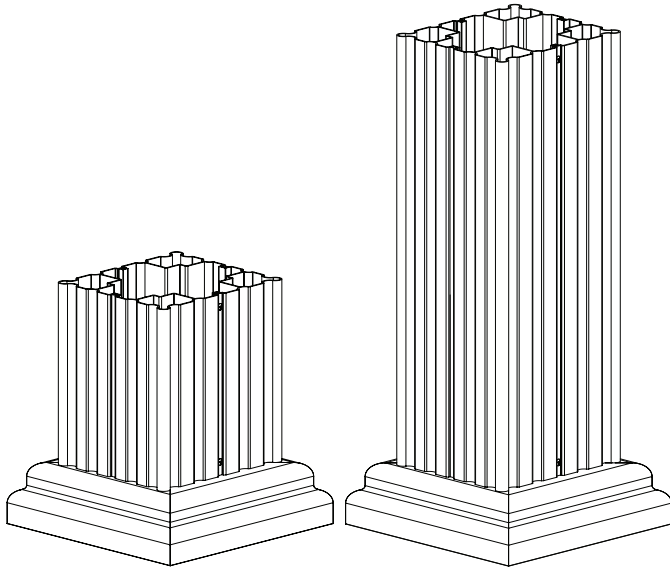
*Due to the design of the Crown Molding Cap you cannot use the standard spacing for the mounting the cluster box units into the concrete pad because the caps will interfere with each other. The cabinets must be a minimum of 2" apart. Please use the chart above to ensure proper spacing.*

*All other requirements for mounting the cluster box unit are in the cluster box installation manual, included with your Florence vital™ 1570 series cluster box unit.*

*Technical documents are downloadable from [www.auth-florence.com](http://www.auth-florence.com)*

# vogue™ cluster box accessories

## Pedestal Cover Parts

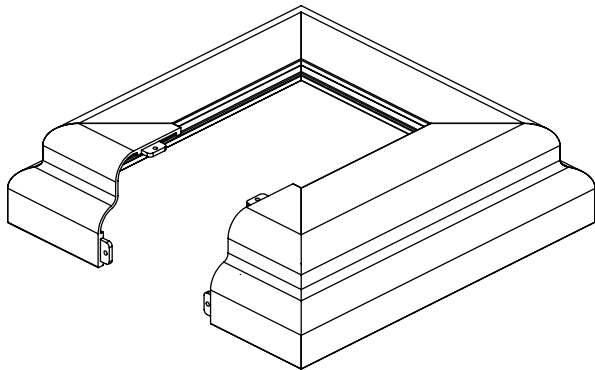


VOGUEP114  
Pillar Pedestal  
for  
1570-16 & 13 CBU

VOGUEP128  
Pillar Pedestal  
for  
1570-8 & 12 CBU

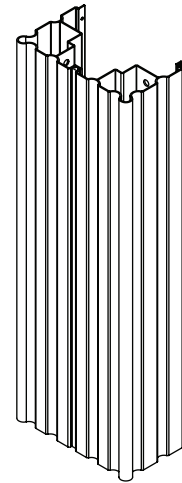
Pedestal Cover		
Part #	Description	Qty
91532*	Lower Base Cover	1
91681*	Lower Base Cover Plate	1
91687	#8-32 x 3/8" Flat Head Screw	4
91538*	Tall Vertical Cover Half	2
91539*	Short Vertical Cover Half	2
91690	#10-32 x 3/8" Phillips Screw	4

\*For replacement parts specify finish and cluster box type



91532 - Lower Base Cover

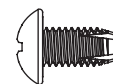
91681 - Lower Base Cover Plate



Varies - Vertical Cover Half



91687 - #8-32 x 3/8" Flat Head Screw



91690 #10-32 x 3/8" Phillips Screw

Hardware shown as actual size

## Pillar Pedestal Lower Base Cover Installation

**Complete this after installation of the cluster box unit.**

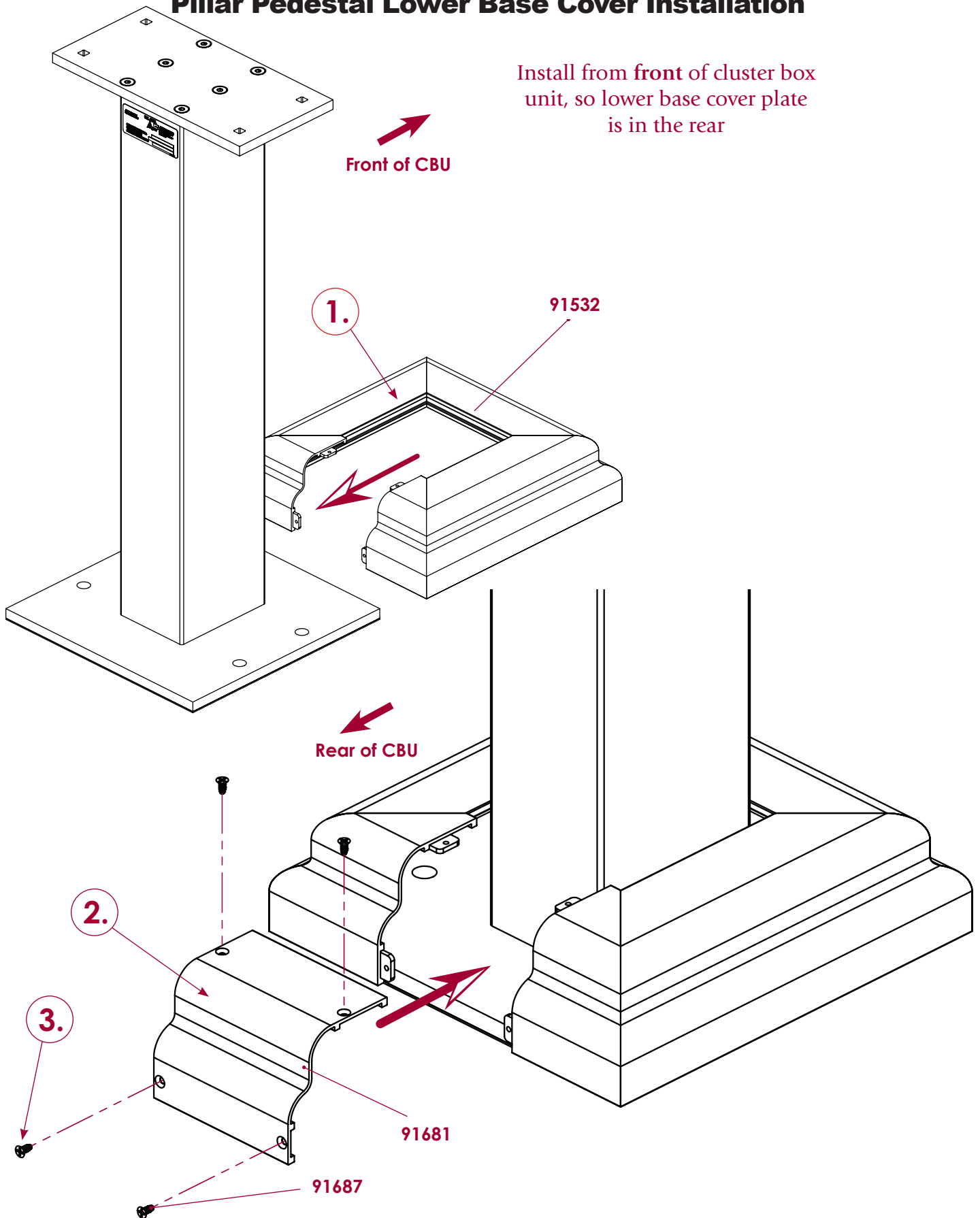
CAUTION: Lower cover cannot be properly installed if the pedestal mounting bolts are too high. Cut anchors down to size while still providing adequate thread engagement for CBU.

- 1.** Install 91532 lower base cover over the pedestal with the open area to the rear of the cluster box unit.
- 2.** Align 91681 lower base cover plate over the tabs on the 91532 base lower cover.
- 3.** Secure with four (4) 91687 #8-32 x 3/8" flat head screws to the 91681 lower base cover plate. Hand tighten.

	PART #	DESCRIPTION
	91532	Lower Base Cover
	91681	Lower Base Cover Plate
	91687	#10-32 x 3/8" Flat Head Screw
REQUIRED TOOLS		
#2 Phillips Head Screwdriver/Bit		

## Pillar Pedestal Lower Base Cover Installation

Install from front of cluster box unit, so lower base cover plate is in the rear

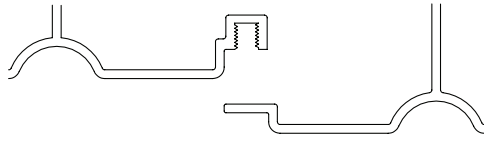


## Pillar Pedestal Vertical Base Installation

1. Align two vertical cover halves, one from front and one from the rear of the CBU, ensuring proper alignment (see image on page).
2. Secure with four (4) 91690 #10-32 x 3/8" phillips screws from the sides. Hand tighten.

	PART #	DESCRIPTION
REQUIRED TOOLS	Varies	Vertical Cover Half
#2 Phillips Head Screwdriver/Bit	91690	#10-32 X 3/8" Phillips Screw

## Pillar Pedestal Vertical Base Installation



Alignment of Vertical Cover halves

