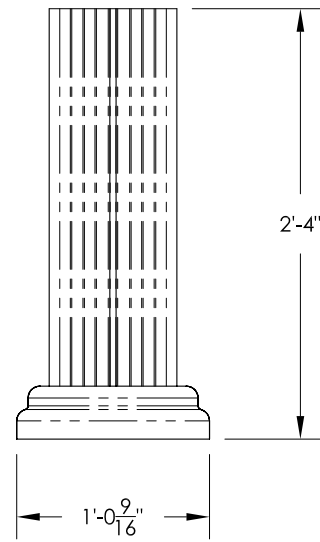
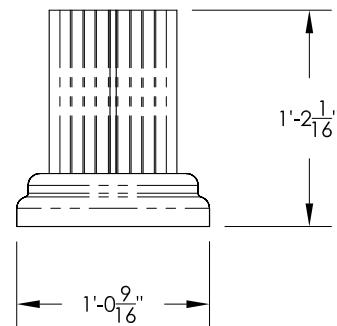


1570 CBU VIEW WITH INSTALLED ACCESSORIES

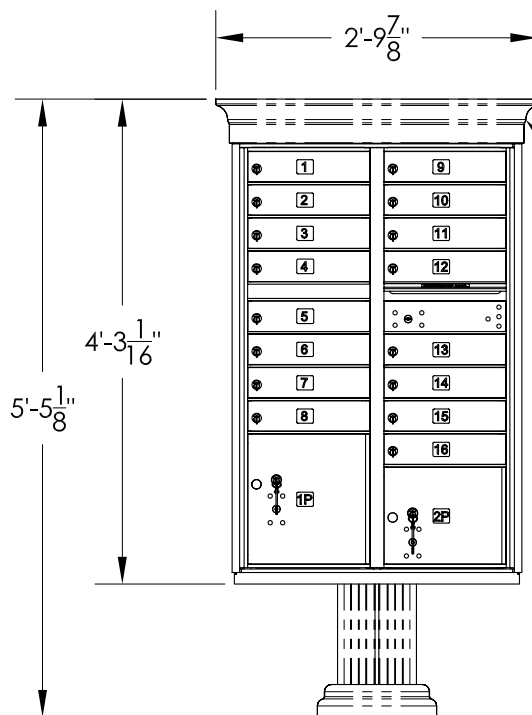
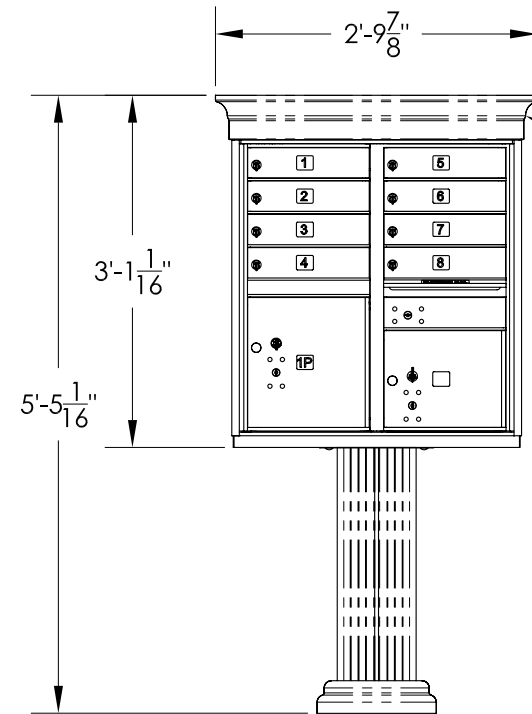
**MULTI-UNIT PAD SPECIFICATION
IF INSTALLING WITH CROWN CAP**



FRONT & SIDE VIEW
TALL PEDESTAL
(VOGUEP114)

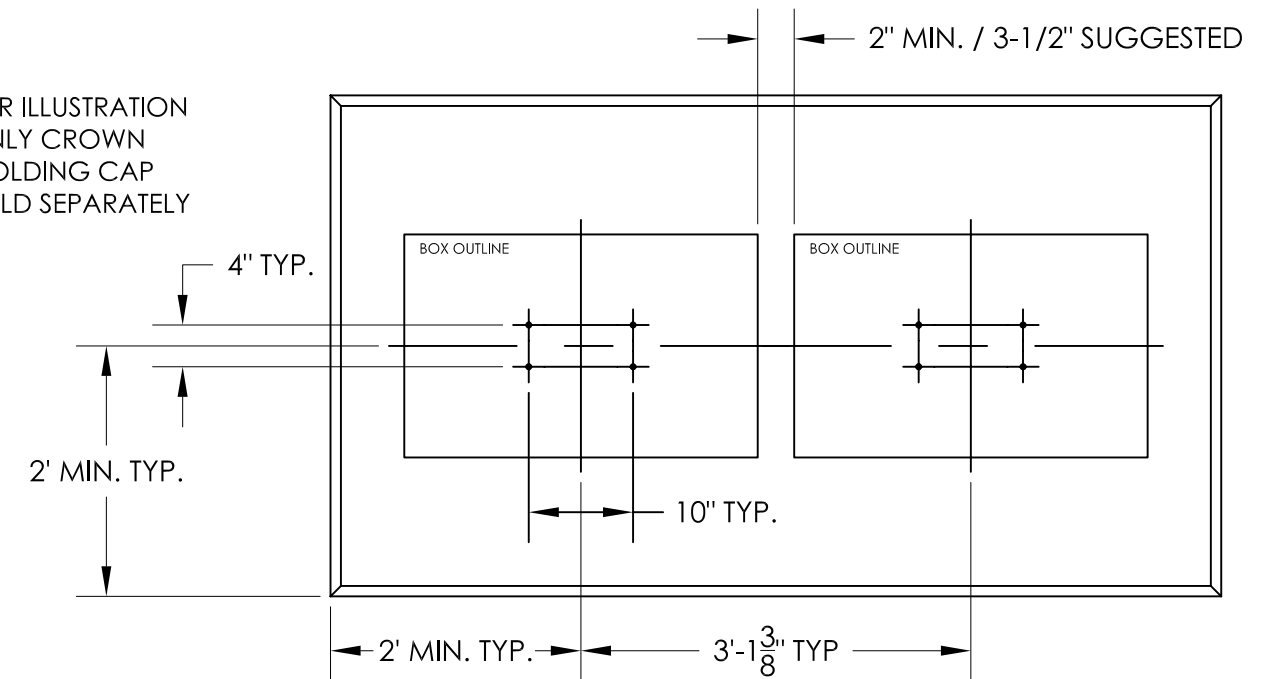


FRONT & SIDE VIEW
SHORT PEDESTAL
(VOGUEP128)

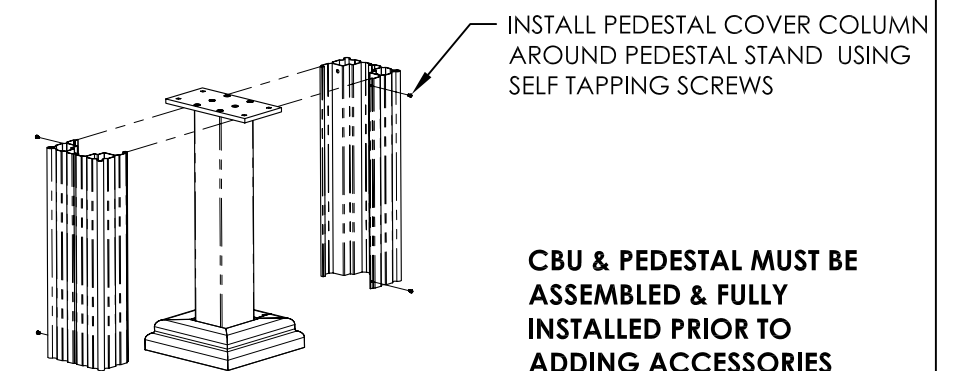


FOR ILLUSTRATION
ONLY CROWN
MOLDING CAP
SOLD SEPARATELY

FOR ILLUSTRATION
ONLY CROWN
MOLDING CAP
SOLD SEPARATELY



INSTALL PEDESTAL COVER BASE AROUND
PEDESTAL STAND USING SELF TAPPING
SCREWS



INSTALL PEDESTAL COVER COLUMN
AROUND PEDESTAL STAND USING
SELF TAPPING SCREWS

**CBU & PEDESTAL MUST BE
ASSEMBLED & FULLY
INSTALLED PRIOR TO
ADDING ACCESSORIES**

NOTES:

1. CBU & PEDESTAL MUST BE ASSEMBLED AND FULLY INSTALLED PRIOR TO ADDING ACCESSORIES.
2. PEDESTAL COVER AND CAP SOLD SEPARATELY.
3. AVAILABLE IN ALL STANDARD CBU POWDER COAT FINISHES.
4. PEDESTAL COVER INSTALLED USING SELF-TAPPING SCREWS (INCLUDED).
5. PEDESTAL BASE COVER DESIGNED TO FIT OVER FLORENCE 1570 SERIES CBU PEDESTAL.

PRODUCT SERIES: VOGUE™ CBU ACCESSORIES

AF FLORENCE
manufacturing company
5935 Corporate Drive • Manhattan, KS 66503
www.ath-florence.com • (800) 275-1747
A GIBRALTAR INDUSTRIES COMPANY

MODEL	PILLAR PEDESTAL COVER	REV	-
SCALE	NONE	DATE	1/1/2008
DRAWING NUMBER	VOGUEPICS	DRAWN BY	AFD
		SHEET	1 OF 1