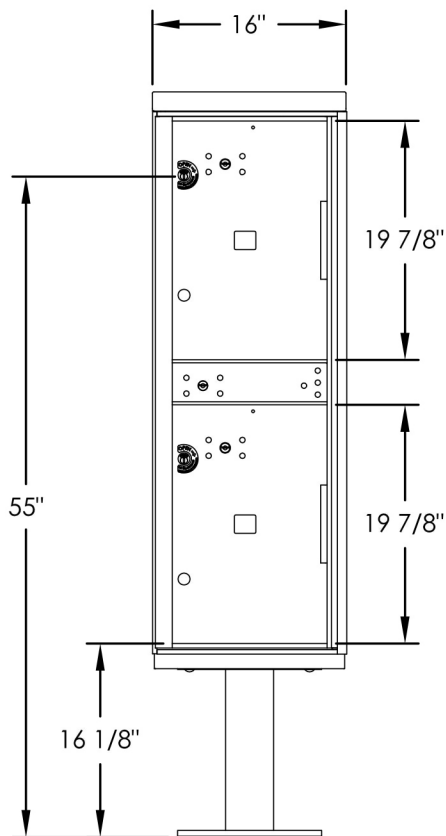
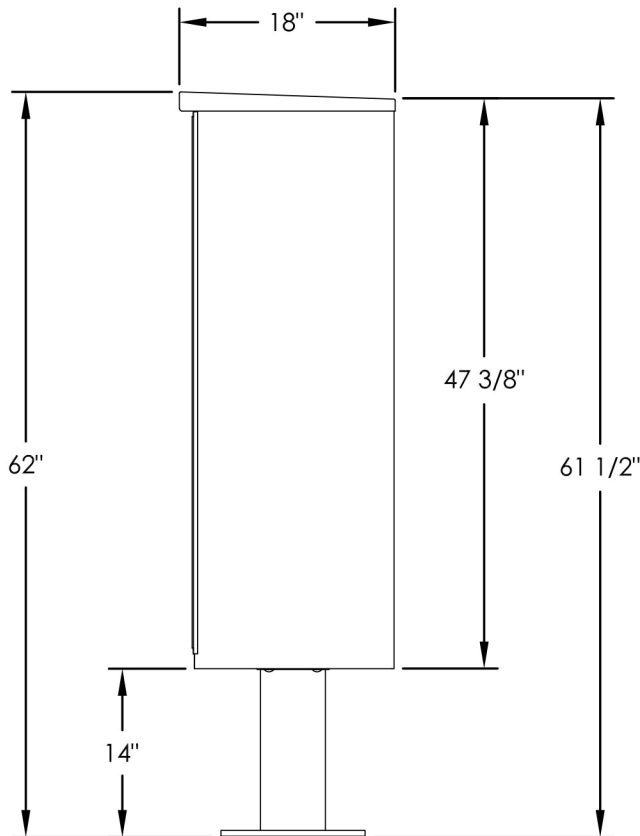


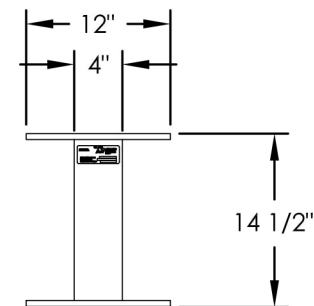
valiant™ Outdoor Parcel Locker - Type I



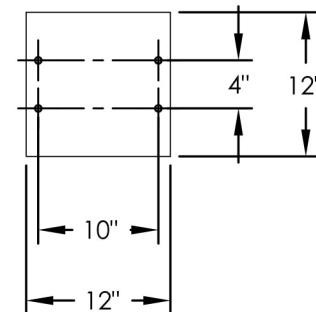
FRONT VIEW



SIDE VIEW



PEDESTAL



PEDESTAL BASE
BOLT PATTERN

DOOR CHART

DOOR TYPE	DIMENSION (HEIGHT x WIDTH)
PARCEL	19-7/8"x12-13/16"

PRODUCT SERIES:	valiant™ OUTDOOR PARCEL LOCKER	
-----------------	--------------------------------	--

 BudgetMailboxes Best Brands. Best Prices. .com WebLife Stores LLC PO Box 20338, Panama City Beach, FL 32417 www.budgetmailboxes.com • (866) 707-0008	MODEL 1590-T1	REV A
	SCALE NONE	LAST REV DATE
	DRAWING NUMBER 1590-T1CS	DRAWN BY

NOTES:

1. This unit is approved for USPS and private applications.
2. Includes Rubber Pad for installation; mounting hardware not included, refer to installation manual for recommendations.
3. Florence is the only approved manufacturer of OPL units.