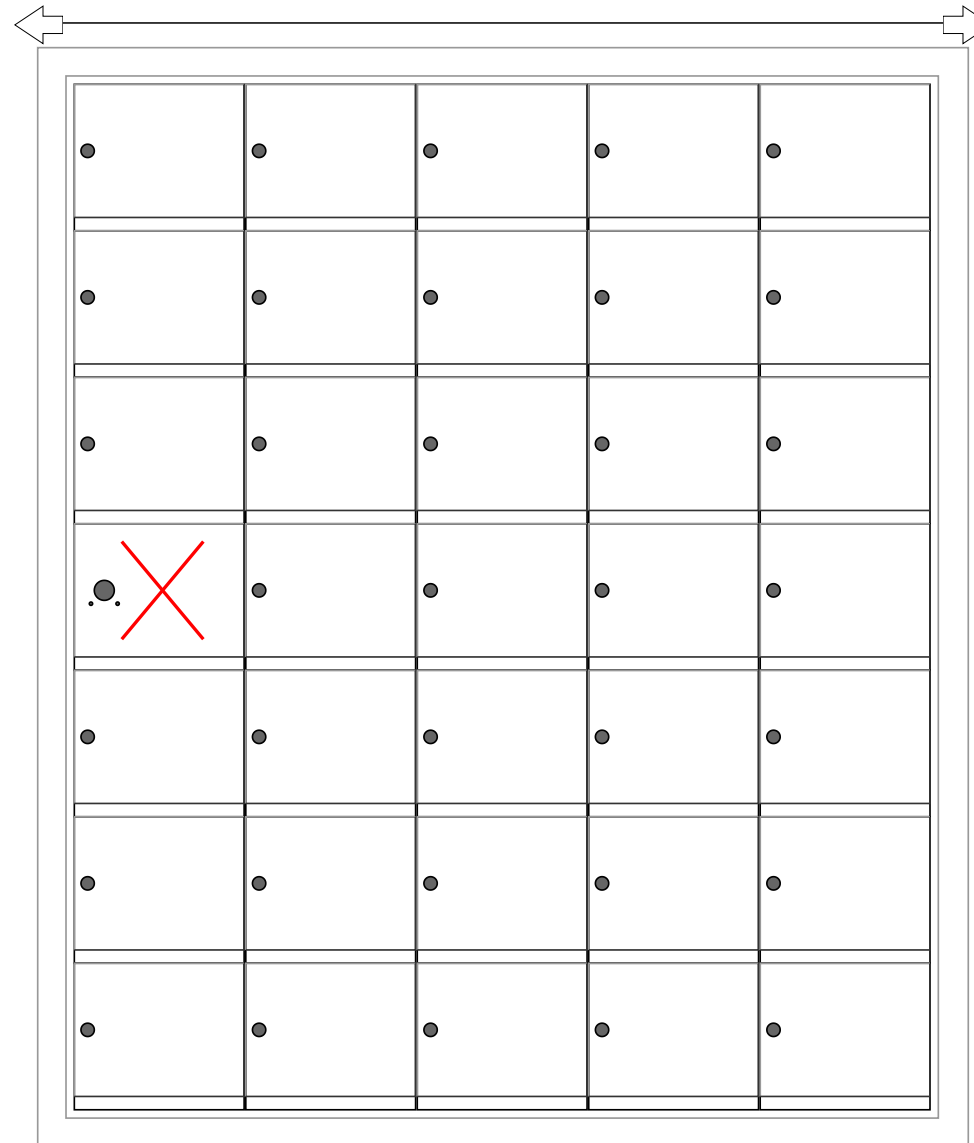


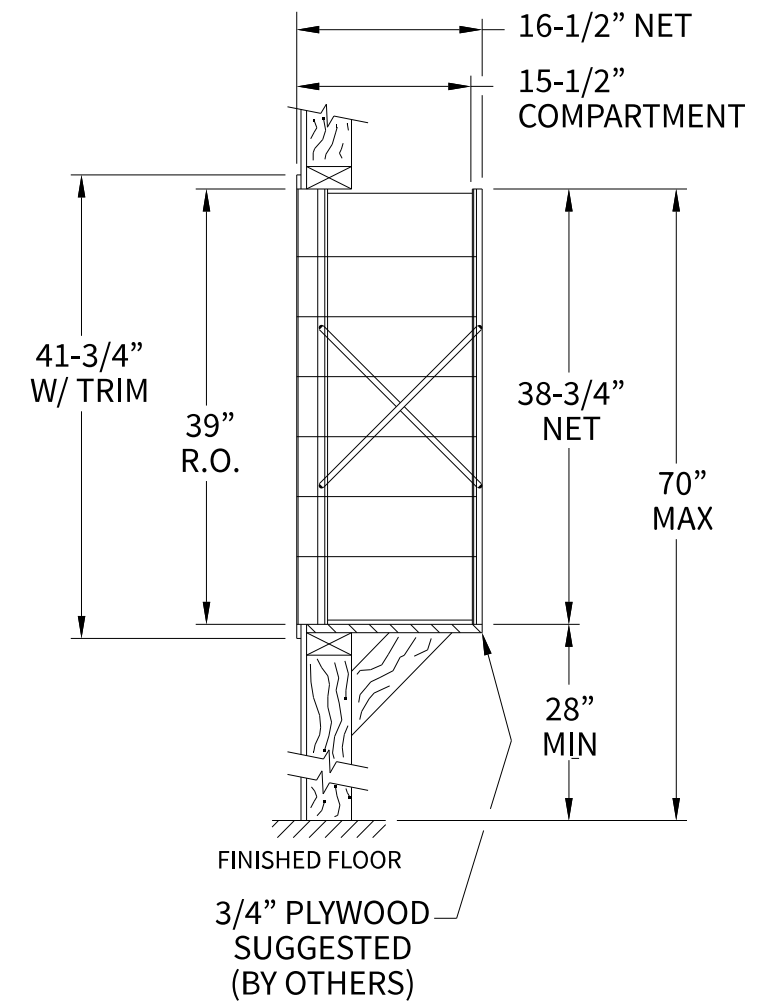
### 140075 Dimensions

Overall Width w/ Trim: 36-1/8"  
(Rough Opening: 33-7/8")



140075

### Side View



#### Configuration Details:

1. **Product Type:** 1400 Horizontal
2. **Installation:** Front-load, Recessed Mount
3. **Finish:** Anodized Aluminum
4. **Locks:** Standard Cam Lock, 2 keys
5. **Door Id:** tbd
6. **Master Door:** tbd

Matching standard snap-on trim included

#### Models Used:

(1) 140075

**DO NOT SCALE OFF DRAWING**

#### Door Sizes Used:

(34) 1400 1x1 Compartment  
(1) 1x1 Master

ELEVATION: 140075 | MAILBOXES: 34 |

PROJECT NAME: 1400 Series Mailbox

DRAWN BY: FLORENCE



**BudgetMailboxes**  
Best Brands. Best Prices. .COM

WebLife Stores LLC  
PO Box 20338, Panama City Beach, FL 32417  
www.budgetmailboxes.com • (866) 707-0008

DATE: 01-15-2016

P.O. NO:

SCALE: NONE

QUOTE NO:

DRAWING NO. WEB-1934

SHEET 1 OF 1