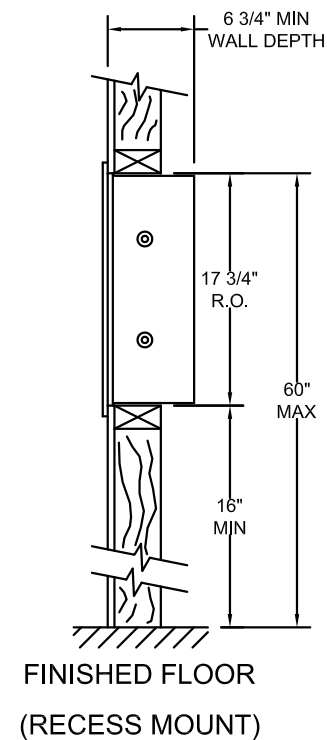
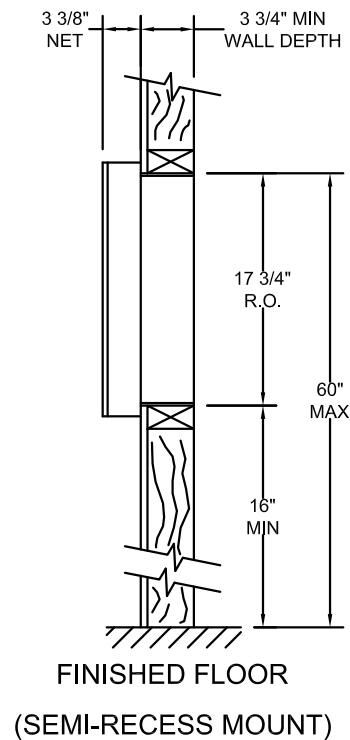
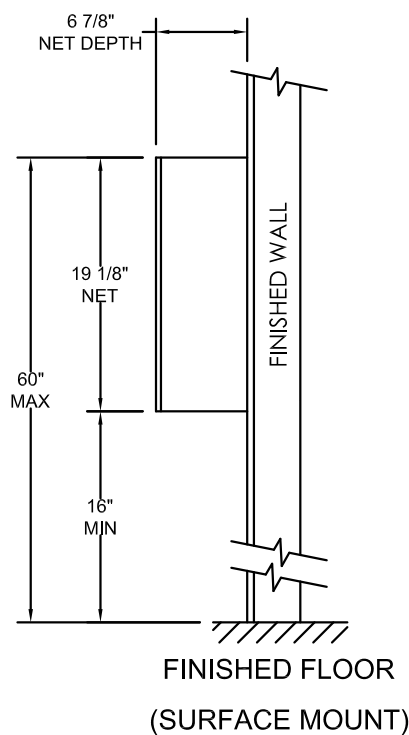
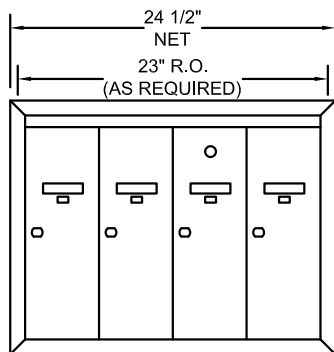


## 1250-4 VERTICAL STYLE MAILBOX



### NOTES:

#### STANDARD:

- (1) 1250-4 SERIES ALUMINUM CABINET WITH (3) STANDARD SIZE DOORS (16"H X 5 1/2"W), AND (1) STANDARD SIZE MASTER DOOR PREPARED FOR POSTAL MASTER LOCK.
- CLEAR ANODIZED FINISH.
- 5-PIN CYLINDER CAM TYPE LOCK WITH (2) KEYS EACH.
- TENANT NAME CARD HOLDER ON EACH DOOR.
- RECESSED MOUNT (NO COLLAR REQUIRED).
- UNIT WEIGHT: 25 POUNDS.

#### OPTIONAL:

- PRIVATE MASTER LOCK.
- POWDER COAT FINISH AVAILABLE IN 10 COLORS.
- ENGRAVING OR BLACK-FILLED ENGRAVING ON EACH DOOR.
- OPTIONAL DOORS SIZES AND ARRANGEMENTS.
- SURFACE MOUNT (WITH SM125-4 COLLAR); SEMI-RECESSED MOUNT (WITH SR120-4 COLLAR).
- INTEGRAL DIRECTORIES.
- INTEGRAL DOORBELL PUSH BUTTONS.
- DOUBLE ROW INSTALLATION (MAINTAIN MAX AND MIN INSTALLATION DIMENSIONS AS SHOWN ON CS5048).

PRODUCT SERIES:

1250-4 VERTICAL STYLE MAILBOX



**BudgetMailboxes**  
Best Brands. Best Prices. .com

WebLife Stores LLC

PO Box 20338, Panama City Beach, FL 32417  
www.budgetmailboxes.com • (866) 707-0008

MODEL	1250-4	REV	D
SCALE	NONE	LAST REV DATE	8/24/2012
DRAWING NUMBER	CS5051	DRAWN BY	RAK