

# FLOS

## To-Tie T3, Anodized Natural - Specification Sheet by Guglielmo Poletti, 2022

Mounting	Free Standing
Lamp (Bulb) Description	LED 10W 515lm 2700K CR190
Environment	Indoor - Dry Location
Finish	Anodized Natural
Technical and Product Description	"

Designed by Guglielmo Poletti Table lamp providing diffused light. Clear glass cylindrical lamp body available in multiple sizes.

The handle is made of aluminum and also acts as a light emitter. Multi-led diffuser in specially designed white polycarbonate to avoid the Multi Shadow effect and dazzle.

High efficiency LED source with a lifetime of more than 50.000 hours.

Electric cable of useful length 70.86" covered in black fabric and equipped with dimmer switch for ON/OFF and adjustment of the light flow between 10-100%.

Plug-in power supply with interchangeable plugs. To-Tie is a future-proof lamp as no glue is used to assemble its different parts. The product can therefore be separated, replaced individually, and recycled separately.

"

### Electrical

Voltage	24
Switching	Dimmer switch that provide ON-OFF functions and 10-100% light adjustment with memory
IP Rating	IP20

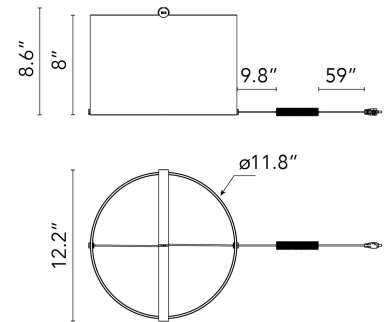
### Physical

Cord Length (inches)	70.86" - Black
Construction Material	Glass
Weight	5.9 lbs



F7543054 Anodized Natural

### Dimensional Image



### Certifications

