

FLOS

To-Tie T1, Anodized Black - Specification Sheet by Guglielmo Poletti, 2022

Mounting	Free Standing
Lamp (Bulb) Description	LED 7W 350lm 2700K CRI90
Environment	Indoor - Dry Location
Finish	Anodized Black
Technical and Product Description	<p>Designed by Guglielmo Poletti Table lamp providing diffused light. Clear glass cylindrical lamp body available in multiple sizes.</p> <p>The handle is made of aluminum and also acts as a light emitter. Multi-led diffuser in specially designed white polycarbonate to avoid the Multi Shadow effect and dazzle.</p> <p>High efficiency LED source with a lifetime of more than 50.000 hours.</p> <p>Electric cable of useful length 70.86" covered in black fabric and equipped with dimmer switch for ON/OFF and adjustment of the light flow between 10-100%.</p> <p>Plug-in power supply with interchangeable plugs. To-Tie is a future-proof lamp as no glue is used to assemble its different parts. The product can therefore be separated, replaced individually, and recycled separately.</p>

Electrical

Voltage	24
Switching	Dimmer switch that provide ON-OFF functions and 10-100% light adjustment with memory
IP Rating	IP20

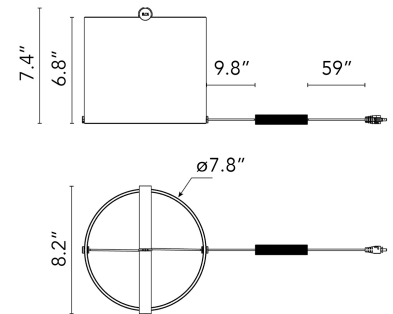
Physical

Cord Length (inches)	70.86" - Black
Construction Material	Glass
Weight	3.3 lbs



● F7541031 Anodized Black

Dimensional Image



Certifications

