

# Laguna

Design Claudio Cappellini - 2023

Table



## Description

The name is inspired by the Venice lagoon, a district where the island of Murano was the pioneer in the development of artistic glass making that involved other areas around this timeless lakeside city in the following decades. The liquid glass at very high temperatures is first poured into molds that recreate the cylindrical shape, then over time the glass cools down and the object takes on the desired shape. After being forged, the glass is coloured assuming ever-different and unique shades. This table is available both with rectangular and round glass top.

## Materials

Glass, Metal, Artistic glass

## Dimensions

260 W x 100 D x 74 H cm (LAGUNA.8260)

320 W x 100 D x 74 H cm (LAGUNA.8320)

# Laguna

Table



**HESSENTIA** | CORNELIO CAPPELLINI

# Laguna

Table

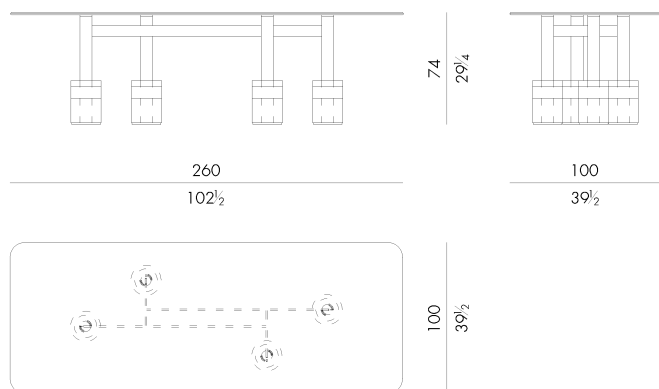


**HESENTIA** | CORNELIO CAPPELLINI

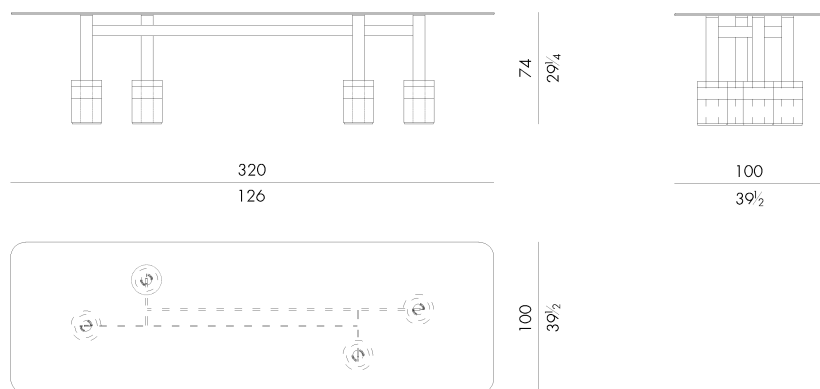
# Laguna

Table

## LAGUNA.8260



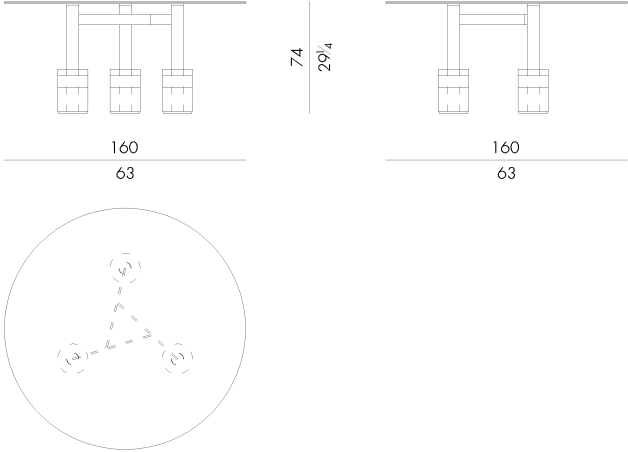
## LAGUNA.8320



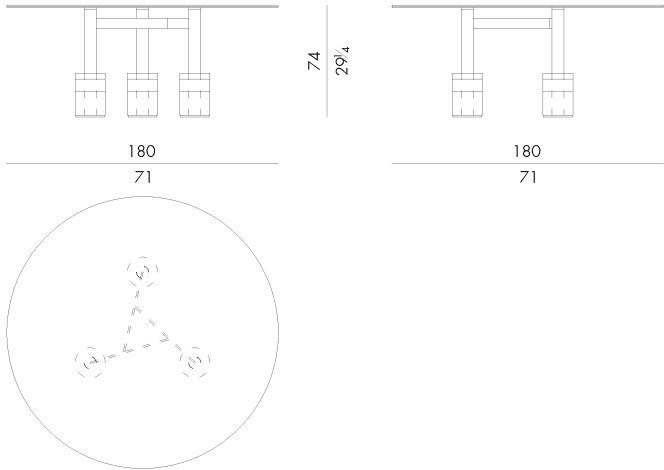
# Laguna

Table

## LAGUNA.5160



## LAGUNA.5180



# Laguna

Table

## THE WORLD OF MATERIALS

---

### Glass top



VE61 Bronze laminated extra clear glass

### Metal parts



ME56SC Brushed champagne with sculpture details

### Artistic glass base



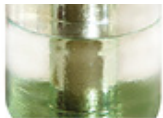
VM11 Clear glass



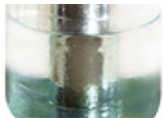
VM81 Orange glass



VM82 Koala glass



VM83 Olive green glass



VM85 Aqua green glass