

# Adone

Design Claudio Cappellini - 2019

Table



## Description

Sophisticated and refined, the table Adone is an elegant protagonist of the dining area. The precious materials used for its realization are further enhanced thanks to the harmonious sinuous shapes. The top, rounded at the ends, is an important block of marble with a metal profile. In larger sizes, the two-piece division of the top becomes even more interesting thanks to the game of symmetries commonly called "open book". Great attention is paid to the base: the metal supports the four elements finely covered in leather and engraved both vertically and horizontally.

## Materials

Marble, Metal, Leather

## Dimensions

240 W x 115 D x 73 H cm (ADONE.8240)

280 W x 115 D x 73 H cm (ADONE.8280)

320 W x 115 D x 74 H cm (ADONE.8320)

**HESSENTIA** | CORNELIO CAPPELLINI

# Adone

Table

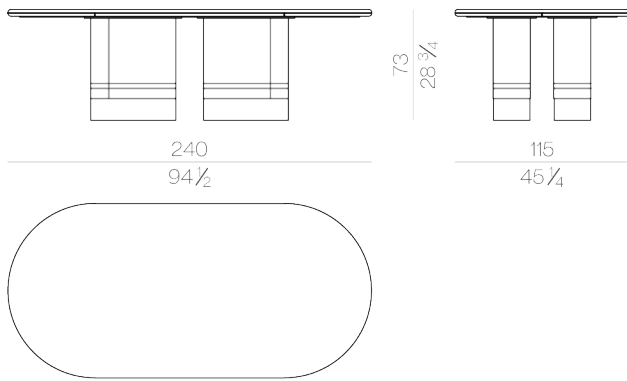


HESSSENTIA | CORNELIO CAPPELLINI

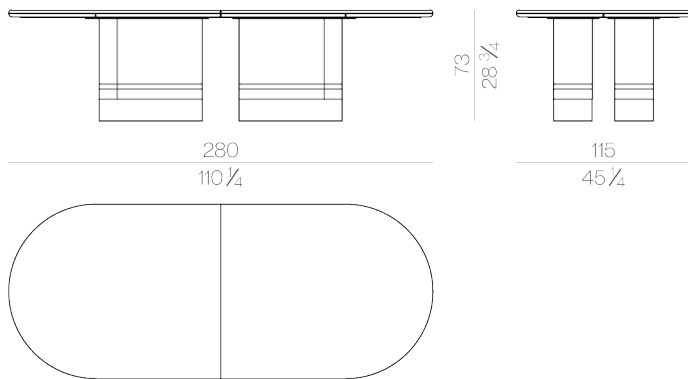
# Adone

Table

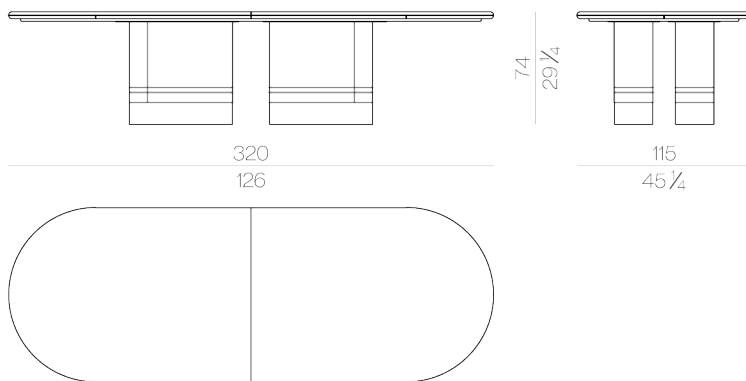
## ADONE.8240



## ADONE.8280



## ADONE.8320



# Adone

Table

## THE WORLD OF MATERIALS

---

### Marble top



MA35M Matt Superwhite



MA13 Calacatta Oro



MA13M Matt Calacatta Oro



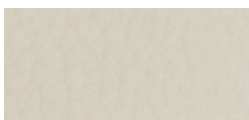
MA31 Ocean Storm

### Metal parts



ME18 Matt black nickel finish

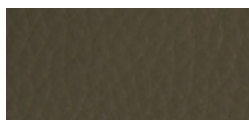
### Leather base



53450/1 Gesso



53450/4 Creta



53450/8 Kaki

# Adone

Table

## SUGGESTED MATCHES

---

### Marble top



MA31 Ocean Storm



MA35M Matt Superwhite

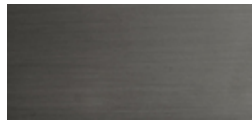


MA13 Calacatta Oro

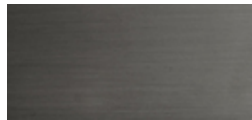


MA13M Matt Calacatta Oro

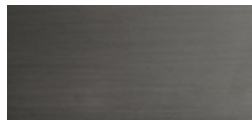
### Metal parts



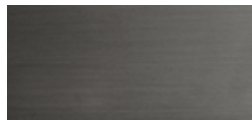
ME18 Matt black nickel finish



ME18 Matt black nickel finish

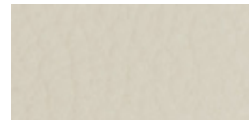


ME18 Matt black nickel finish

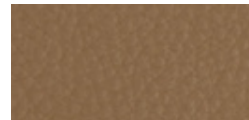


ME18 Matt black nickel finish

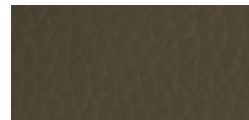
### Leather base



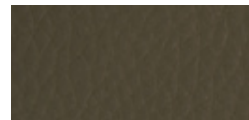
53450/1 Gesso



53450/4 Creta



53450/8 Kaki



53450/8 Kaki