

Excel Encasa Customer Access Point With 30 m of G.657.B3 Fibre SCA (10-Pack)

Item Code: 207-001-10

excel
without compromise.



Buy Now From

Cable Intelligence

✕ Suitable for internal use only

✕ 30 m of spooled fibre

✕ Pre-terminated SCAPC

✕ No splicing required

✕ Factory assembled

✕ G.657.B3 bend insensitive

Product Overview

The Excel Encasa discreet cabling solution has been designed for installation into any household or multi dwelling application. The outlets unique spooling mechanism houses 30 m of 900 µm micro-fibre, this fibre can be discreetly deployed around the interior of the property and retracted to remove any slack fibre.

With the use of the supplied adhesive the fibre is fixed to the wall above skirting or around the edge of the ceiling and once dry is almost invisible to the naked eye.

Each kit is supplied with, adhesive, wall fixings and cavity wall tool to assist in passing fibre through walls.

Product Specifications

Feature	Values
Surface mounted	Yes
Type of connector	SC/APC simplex
With couplers	Yes
Suitable for number of couplers	1
Suitable for type of fibre	Single mode
Colour coding	Yes

Excel Encasa Customer Access Point With 30 m of G.657.B3 Fibre SCA (10-Pack)

Item Code: 207-001-10



Additional specifications

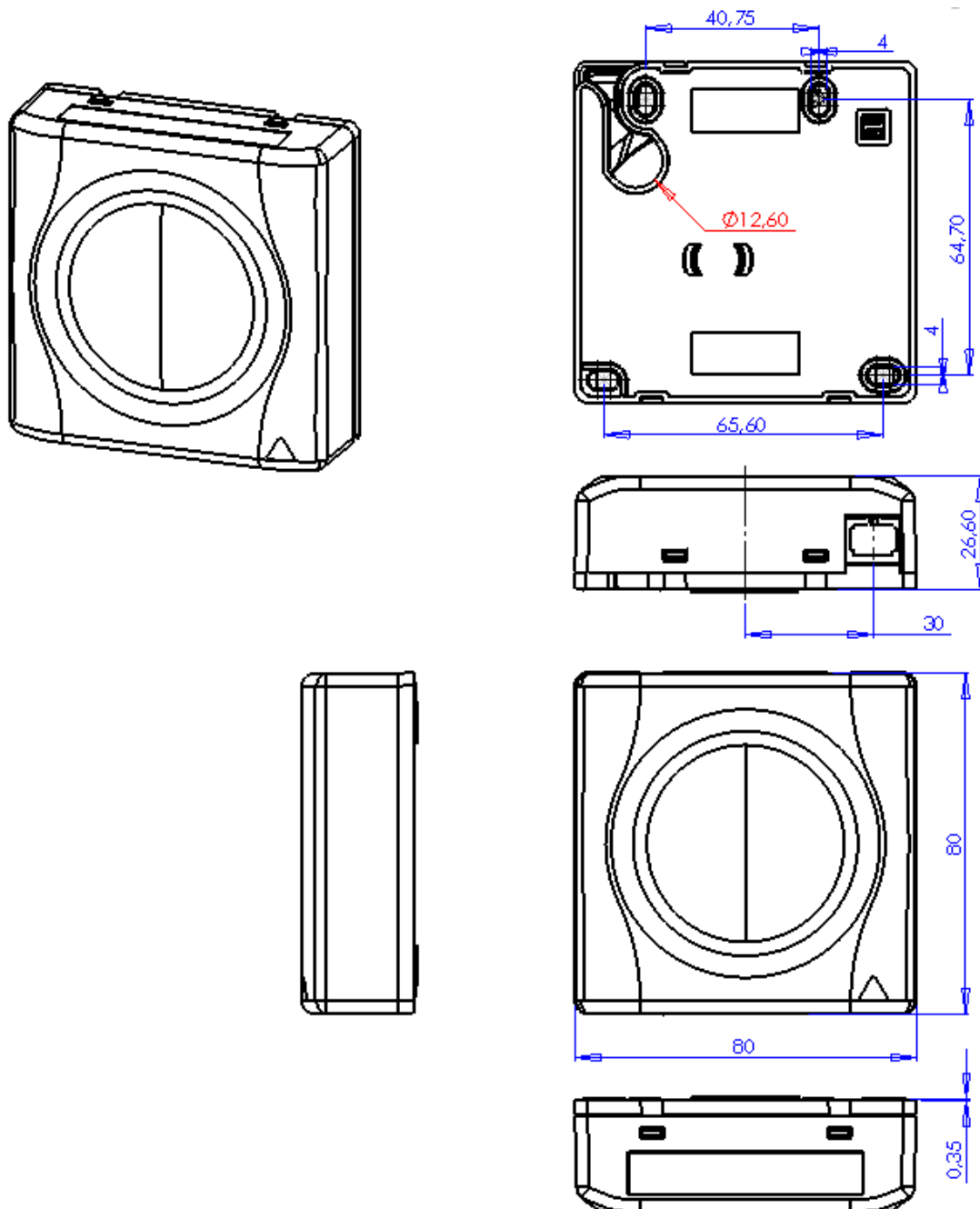
Features	Values
Fibers color	White
Tight buffer material	LSZH
Cable diameter	900 um
Bend insensitive	G.657.B3
Operating temperature	-25 to +70 °C

Excel Encasa Customer Access Point With 30 m of G.657.B3 Fibre SCA (10-Pack)

Item Code: 207-001-10



Product drawings



Excel Encasa Customer Access Point With 30 m of G.657.B3 Fibre SCA (10-Pack)

Item Code: 207-001-10



Standards

Applicable standard	Detail
IEC 61754-1:2013	Fibre optic interconnecting devices and passive components - Fibre optic connector interfaces - Part 1: General and guidance
ISO/IEC 11801-1:2017	Information technology - Generic cabling for customer premises: Part 1 General Requirements
EN 50173-1:2018	Information technology - Generic cabling systems - General requirements
UL-94-V-0	Burning stops within 10 seconds after two applications of ten seconds each of a flame to a test bar. NO flaming drips are allowed.
RoHS	Compliant to the Restriction of Hazardous Substances
WFD	Compliant to Waste Framework Directive
SCIP	Compliant - Does Not Contain Substances of Concern in Products

Included accessories

Accessories	Quantity
Tubes of adhesive	10x35 ml
Cavity wall tool	1
Screws and rawl plugs	10 kits
Internal bend protector	30
External bend protector	30
Cable entry wall plugs	10

Part Number Table

Part Number	Description
207-001-10	Excel Encasa Customer Access Point With 30 m of G.657.B3 Fibre SCA (10-Pack)

Excel is a world class premium performing end to end infrastructure solution designed, Manufactured, supported and delivered without compromise.

Contact us at websales@cableintelligence.co.uk



E&OE. Excel is a registered trade name of Mayflex Holdings Ltd.