



RADIOMASTER

T8 Pro

USER MANUAL



Introduction

Thank you for purchasing the RadioMaster T8 PRO 2.4g remote control system. The system is powerful and versatile and can be used by beginners to professionals. In order to ensure the correct and safe use of this product, please read this manual carefully before use. The information contained in this manual is subject to change without notice.

-RadioMaster team.



Safety notice

Many remote-control models are equipped with powerful motors and sharp propellers. When using or maintaining models, proceed with caution. When performing assembly or maintenance, make sure to disconnect the power to the model and remove the propellers.

Do not operate the T8 remote-control system under the following conditions:

- In severe weather or strong wind conditions, such as rain, hail, snow, storms or highly electromagnetic environments.
- In any situation where visibility is limited.
- In areas where people, property, high-voltage power lines, public roads, vehicles or animals may be present.
- If you feel tired or unwell, or under the influence of drugs or alcohol.
- If the remote control or model seems to be damaged or not working properly.
- In areas with high 2.4GHz interference or where 2.4GHz radio is prohibited.
- When the battery voltage is too low.
- In areas where local regulations prohibit the use of aviation models.

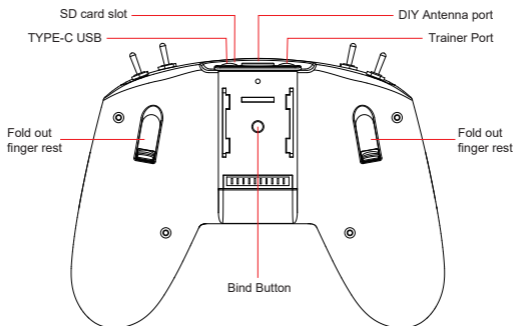
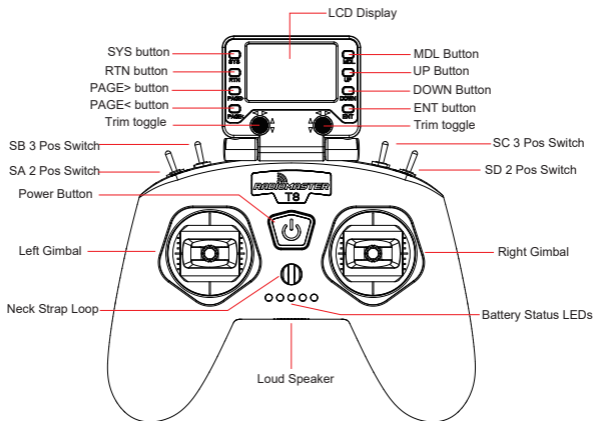


Firmware & Manual Download

The T8 PRO comes factory installed with the latest stable release of OpenTX. You do not need to update the firmware unless there is a special or specific function released that you require. We recommend checking this before updating and do no up date if not required. **DO NOT** attempt to update your radio if you are unsure how to do it correctly. Incorrect Firmware updates may render the radio inoperable and will not be covered under warranty.

A more detailed manual can be downloaded from our website. Visit www.radio-masterrc.com for the latest information. For news on firmware please visit <https://www.open-tx.org>

Switches and Functions



Charging Instructions

The T8 Pro has a built in 1000mah 3.7v Battery. The built in USB-C charger will charge your batteries by connecting the supplied USB-C cable to any suitable USB power outlet. We suggest using a regular 2amp 5v USB power adapter.

Charge status and battery Level:

The 5 LEDs below the neck strap loop indicate the charging status. When the LEDs light up from left to right the T8 is charging. Each of the 5 LEDs indicates 20% of the battery capacity. 5 LEDs shows 100% charge, 4 LEDs 80%, 3 LEDs 60%, 2 LEDs 40%, 1 LED 20%. When the radios power is low and the T8 requires charging all 5 battery status LEDs will flash at the same time. Please recharge the batter before using the radio any further



Using your T8

Press and hold the Power button until you feel a vibration feedback. The radio is now on. If the throttle or switches are not in the correct position the Power LED will be RED. Please reset the switches to the correct position and move the throttle to the lowest point. The Power LED will turn GREEN to indicate the radio is now ready to use. To Turn off your T8 press and hold the power button until you feel a vibration feedback and the radio will turn off. If the LED is RED when turning off disconnect power to your model first.

Model selection and protocol selection

T8 PRO comes with a Multi-Module powered CC2500 RF chip, which is compatible with many different protocols. To view the latest list of all compatible protocols, please visit <https://www.multi-module.org/>. Please note that new protocols will be continuously updated and added to the latest firmware. Some new protocols may require firmware upgrades.



Please long press the MDL button to enter the model settings, select MULTI in the SETUP page, and select the protocol to be used in the sub-options. The system will automatically turn on the corresponding RF module according to the RF protocol you selected, and turn off the other three RF modules at the same time. The system will only turn on one radio frequency module at the same time to ensure that there is no redundant radio signal interference.

- Bind button is used to start the linking process.
- The Range button can reduce the power to 1/30 to facilitate testing the remote-control distance.



Note

OpenTX software is very powerful, and has a large number of programming and mixing functions. Please visit the links below for more detailed instructions:

<https://www.open-tx.org> and <http://open-txu.org/>



Specifications

Size: 160*130*60mm

Weight: 266g

Frequency: 2.400GHZ-2.480GHZ

RF Module: Multi-Protocol Module Compatible Single chip (CC2500)

Protocol Options: All CC2500 – Frsky, S-FHSS, RadioLink, Graupner HoTT and more*

Transmission power: 20dbm

Antenna gain: 2db

Range: > 1km @ 20dbm (depending on the receiver)

Battery: Built in 3.7v 1000mah Lithium battery

Charging: Built in USB-C charging

Firmware: OpenTX - Multiprotocol-TX-Module

Channels: Up to 16 channels (depending on the model / receiver)

Screen: Clip on 128x64 LCD and OpenTX control module

Gimbal: High-precision quad ball bearing HALL Sensor gimbal

Voice support: Yes (SD Card required)

* Visit <https://www.multi-module.org/> to learn more



Warranty and Support

If there is any problem with your remote-control hardware, please keep the proof of purchase and contact the retailer where you purchased the TX12. Technical support can be found at <https://www.radiomasterrc.com> Or join our Facebook group for community support <https://www.facebook.com/radiomasterrc>



EU Simple Declaration of Conformity

RadioMaster declares the radio equipment T8/T8 Pro is in compliance with EU directives Directive 2014/53/EU. Full text of the declaration of conformity is available at the following website www.radiomasterrc.com

Manufactured by

Shenzhen RadioMaster Co., Ltd

Address: 5/F, Building 9, De Zhi Gao Technology Park, Yang Tian Road
Bao'an District, Shenzhen, 518101, Guangdong, China



FCC ID: FCC ID: 2AV3G-T8

FCC Information

This equipment has been tested and found to comply with the limits for Part 15 of the FCC rules. This device complies with part 15 of the FCC rules.

Operation is subject to the following two conditions: (1) This device may not cause harmful interference, and (2) this device must accept any interference received, including interference that may cause undesired operation. Full text of the declaration of conformity is available at the following website www.radiomasterrc.com



CAUTION:

Changes or modifications not expressly approved by the party responsible for compliance could void the user's authority to operate the equipment. This product contains a radio transmitter with wireless technology which has been tested and found to be compliant with the applicable regulations governing a radio transmitter in the 2.400GHz to 2.4835GHz frequency range.

Antenna Separation Distance

When operating your RadioMaster transmitter, please be sure to maintain a separation distance of at least 20 cm between your body (excluding fingers, hands, wrists, ankles and feet) and the antenna to meet RF exposure safety requirements as determined by FCC regulations.



简介

感谢您购买RadioMaster T8 PRO 2.4g遥控系统。该系统用途广泛，可供初学者和专业人士使用。为了确保正确、安全地使用本产品，请在使用前仔细阅读本使用说明书。由于版本升级，已经进行了更改。本手册中包含的信息如有更改，恕不另行通知。

T8 PRO遥控器适用于所有类型的固定翼、滑翔机、直升机和多旋翼飞机。可以根据使用的航空器选择型号类型，并可以使用各种混合功能。

-RadioMaster 团队敬上。



安全须知

许多遥控模型都配备了强大的电机和锋利的螺旋桨。使用模型时，请谨慎行事。进行组装或维护时，请确保已断开模型的电源并卸下螺旋桨。

在以下情况下，请勿操作T8 PRO遥控系统：

- 在恶劣天气或强风条件下，例如雨，冰雹，下雪，暴风雨或电磁环境中。
- 在能见度有限的任何情况下。
- 在可能存在人员、财产、电力高压线、公共道路、有车辆或动物的区域。
- 如果您感到疲倦或不适，或在药物或酒精的影响下。
- 如果遥控器或模型似乎已损坏或无法正常工作。
- 在2.4GHz干扰较大的区域或禁止使用2.4GHz无线电的地方。
- 当电池电压太低而无法使用时。
- 在当地法规禁止使用航空模型的区域。



说明书和固件下载

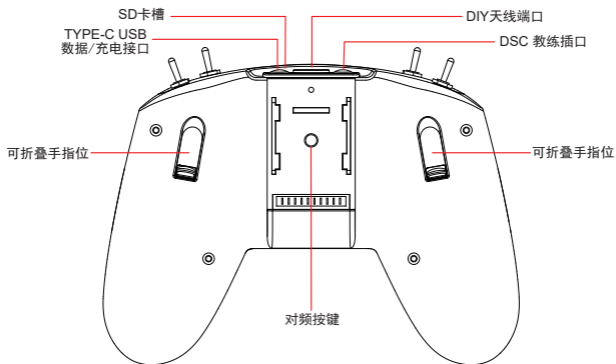
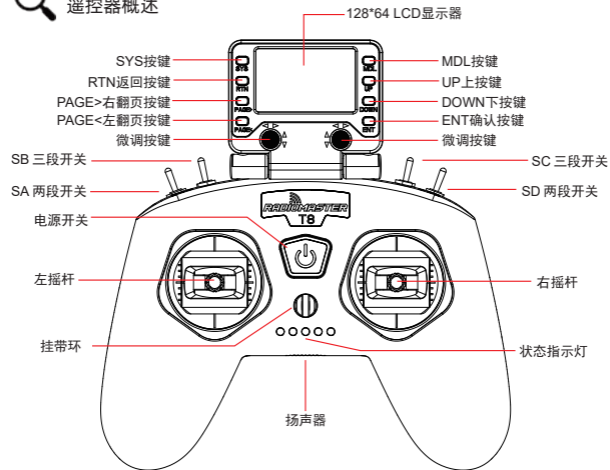
T8 PRO出厂时预装最稳定的固件。如果您有经验并且有信心更新系统固件，请仅更新固件。不正确的更新可能会导致遥控器无法操作。T8 PRO预装标准的OpenTX固件。要下载最新的软件手册，请访问RadioMaster网站：

<https://www.radiomasterrc.com>

要为您的T8 PRO遥控器下载最新的固件，请访问OpenTX网站：<https://www.open-tx.org>



遥控器概述





电源及充电注意事项

T8 PRO 内置了1000mAh 3.7V Lipo电池以及USB-C充电功能。标称电池电压为3.7v，最大充电电压为4.2v。

请定期检查电池的电压和状况，决不要在无人看守的情况下为其充电。请务必始终在远离可燃材料的安全区域中充电。如果遥控器弄湿或以任何方式损坏，请勿充电。

对于不按照安全规范使用或滥用本产品造成的一切不良后果，RadioMaster不承担任何责任。

充电状态和电池电量：

遥控器下方的5个LED灯指示充电状态。当指示灯依次从左向右点亮时，T8 PRO正在充电。5个LED指示灯平均指示电池容量的20%。当T8 PRO遥控器电压低且需要充电时，所有5个电池状态LED会同时闪烁。在进一步使用遥控器之前，请为遥控器充电。

状态	指示灯
电量	五个指示灯表示0-100%电量，平均每个指示灯表示20%电量
	<div style="display: flex; justify-content: space-around; align-items: center;"> ○ ○ ○ ○ ○ </div> <div style="display: flex; justify-content: space-around; align-items: center;"> 20% 40% 60% 80% 100% </div>
充电	指示灯由1-5循环闪烁，表示正在充电，充电完成后指示灯全部常亮



模型选择及协议选择

T8 PRO附带CC2500单芯片多协议高频模块，拥有并兼容几种不同协议，要查看所有兼容协议的最新列表，请访问<https://www.multi-module.org>。请注意，新协议会不断更新并被添加到最新固件中，新的某些协议可能需要升级固件。

各种不同的接收机和模型将具有不同的方法来将模型或接收器置于对频模式。请按照模型或接收机制造商提供的用户手册，对模型或接收机进行初始化对频过程。



- 请长按MDL按钮进入模型设置，在SETUP页面中选择MULTI，并在子选项中选择需要使用的协议。系统根据您选择的射频协议，会自动开启对应的射频模块，同时关闭其它三个射频模块。系统在同一时间只会开启一个射频模块，以确保没有多余的无线电信号相互干扰。

- Bnd按钮用于启动对频过程。
- Rng按钮可将功率降低至1/30，以方便测试遥控距离。



注意

OpenTX软件非常强大，并且具有大量的编程和混控功能。请从下面的链接下载综合软件安装指南以获取更详细的说明：<https://www.open-tx.org>



技术指标

规格尺寸： 160*130*45mm

重量： 218g

传输频率： 2.400GHZ-2.480GHZ

发射器模块： 单芯片多协议高频模块（CC2500）

支持的协议： D8 / D16 v1 FCC / D16 v1 LBT / D16 v2 FCC / D16 v2 LBT

发射功率： 最大20dbm

天线增益： 2db

遥控距离： > 1km @ 20dbm

电池： 内置1000mAh 3.7V锂离子电池

充电接口： USB-TypeC充电接口

开源固件： OpenTX T8 PRO专用版本

DIY-Multiprotocol-TX-Module（高频模块）

通道数： 8个通道（取决于接收机）

可扩展配件： 可拆卸128*64单色LCD显示器

摇杆： 高精度电位器摇杆



保修及维修

如果您的遥控器硬件出现任何问题，请保留购买证明并与您购买T8遥控器的零售商联系。

用户手册

有关T8详细用户手册，请访问<https://www.radiomasterrc.com>



Visit our website to learn more
<https://www.radiomasterrc.com/>



Follow us on Facebook
<https://www.facebook.com/radiomasterrc/>



Follow us on Instagram
<https://www.instagram.com/radiomasterrc/>