



RADIOMASTER

T8 Lite

USER MANUAL



Introduction

Thank you for purchasing the RadioMaster T8 Lite 2.4g remote control system. The system is powerful and versatile and can be used by beginners to professionals. In order to ensure the correct and safe use of this product, please read this manual carefully before use. The information contained in this manual is subject to change without notice.

-RadioMaster team.



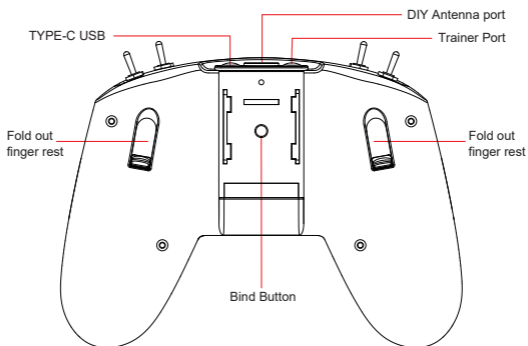
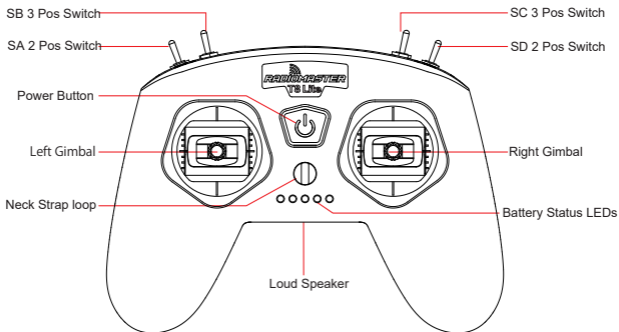
Safety notice

Many remote-control models are equipped with powerful motors and sharp propellers. When using or maintaining models, proceed with caution. When performing assembly or maintenance, make sure to disconnect the power to the model and remove the propellers.

Do not operate the T8 Lite remote-control system under the following conditions:

- In severe weather or strong wind conditions, such as rain, hail, snow, storms or highly electromagnetic environments.
- In any situation where visibility is limited.
- In areas where people, property, high-voltage power lines, public roads, vehicles or animals may be present.
- If you feel tired or unwell, or under the influence of drugs or alcohol.
- If the remote control or model seems to be damaged or not working properly.
- In areas with high 2.4GHz interference or where 2.4GHz radio is prohibited.
- When the battery voltage is too low.
- In areas where local regulations prohibit the use of aviation models.

Switches and Functions




Charging Instructions

The T8 Lite has a built in 1000mah 3.7v Battery. The built in USB-C charger will charge your batteries by connecting the supplied USB-C cable to any suitable USB power outlet. We suggest using a regular 1-2amp 5v USB power adapter.

Charge status and battery Level:

The 5 LEDs below the neck strap loop indicate the charging status. When the LEDs light up from left to right the T8 Lite is charging. Each of the 5 LEDs indicates 20% of the battery capacity. 5 LEDs shows 100% charge, 4 LEDs 80%, 3 LEDs 60%, 2 LEDs 40%, 1 LED 20%. When the radios power is low and the T8 Lite requires charging all 5 battery status LEDs will flash at the same time. Please recharge the batter before using the radio any further

| Status | Indicator light |
|-------------|------------------------------------------------------------------------------------------------------------------------------------------------------------|
| Power Level | Five indicator lights indicate 0-100% power, and on average each indicator indicates 20% power |
| |  20% 40% 60% 80% 100% |
| Recharge | The indicator light flashes from 1 to 5 cycles, indicating that it is charging, and all the indicator lights are always on after the charging is completed |



Power on/off

Power on: Press and hold the power button, the five status LEDs will light up sequentially followed by a beep. Let go of the power button after you hear the beep.
Power off: Press and hold the power button, the five status LEDs will turn off sequentially followed by a beep. Let go of the power button after you hear the beep.

Default channel order:

| CH1 | CH2 | CH3 | CH4 | CH5 | CH6 | CH7 | CH8 |
|---------|----------|----------|--------|-----------------|-----------------|-----------------|-----------------|
| Aileron | Elevator | Throttle | Rudder | SA 2Position | SB 3Position | SC 3Position | SD 2Position |



Binding your T8 Lite

Bind mode for D8 protocol receivers

1. Turn on the transmitter and keep the throttle at its lowest position. Press and hold the bind button for longer than 1 second, the transmitter will start beeping in a beep-beep-beep pattern, signaling D8 mode. If the transmitter beeps in a beep (x2) -beep(x2)-beep(x2) pattern, this means the transmitter is in D16 mode and the bind button should be pressed momentarily to return to D8 mode.
2. Power on the receiver, press the bind button on the receiver within 3 seconds to enter bind mode on the receiver.
3. The red light on the receiver will flash, signaling that the unit has bound successfully. Turn the receiver off and on again for the unit to function correctly. Note: D8 receivers made by different manufacturers may have different binding procedures. Refer to the user manual for precise binding instructions.

Bind mode for D16 protocol receivers

1. Turn on the transmitter and keep the throttle at its lowest position. Press and hold the bind button for longer than 1 second, the transmitter will start beeping in a beep(x2)-beep(x2)-beep(x2) pattern, signaling D16 mode. If the transmitter beeps in a beep-beep-beep pattern, this means the transmitter is in D8 mode and the bind button should be pressed momentarily to return to D16 mode.
2. Power on the receiver, press the bind button on the receiver within 3 seconds to enter bind mode on the receiver.
3. The red light on the receiver will flash, signaling that the unit has bound successfully. Turn the receiver off and on again for the unit to function correctly. Note: D16 receivers made by different manufacturers may have different binding procedures. Refer to the user manual for precise binding instructions.



Specifications

Size: 160*130*45mm

Weight: 218g

Frequency: 2.400GHZ-2.480GHZ

RF Module: Multi-Protocol Module Compatible Single chip(CC2500)

Protocol Options: D8/D16

Transmission power: 20dbm

Antenna gain: 2db

Range:~1km @ 20dbm (depending on the receiver)

Battery: Built in 3.7v 1000mah Lithium battery

Charging: Built in USB-C charging

Channels: Up to 8 channels (depending on the model / receiver)

Gimbal: High-precision potentiometer sensor gimbal



Warranty and Support

If there is any problem with your remote-control hardware, please keep the proof of purchase and contact the retailer where you purchased the T8 Lite. Technical support can be found at <https://www.radiomasterrc.com>

Or join our Facebook group for community support <https://www.facebook.com/radiomasterrc>



EU Simple Declaration of Conformity

RadioMaster declares the radio equipment T8/T8 Pro/T8 Lite is in compliance with EU directives Directive 2014/53/EU. Full text of the declaration of conformity is available at the following website www.radiomasterrc.com

Manufactured by

Shenzhen RadioMaster Co., Ltd

Address: 5/F, Building 9, De Zhi Gao Technology Park, Yang Tian Road
Bao'an District, Shenzhen, 518101, GuangDong, China



FCC ID: FCC ID: 2AV3G-T8

FCC Information

This equipment has been tested and found to comply with the limits for Part 15 of the FCC rules. This device complies with part 15 of the FCC rules.

Operation is subject to the following two conditions: (1) This device may not cause harmful interference, and (2) this device must accept any interference received, including interference that may cause undesired operation. Full text of the declaration of conformity is available at the following website www.radiomasterrc.com



CAUTION:

Changes or modifications not expressly approved by the party responsible for compliance could void the user's authority to operate the equipment. This product contains a radio transmitter with wireless technology which has been tested and found to be compliant with the applicable regulations governing a radio transmitter in the 2.400GHz to 2.4835GHz frequency range.

Antenna Separation Distance

When operating your RadioMaster transmitter, please be sure to maintain a separation distance of at least 20 cm between your body (excluding fingers, hands, wrists, ankles and feet) and the antenna to meet RF exposure safety requirements as determined by FCC regulations.



简介

感谢您购买RadioMaster T8 Lite 2.4g遥控系统。该系统用途广泛，可供初学者和专业人士使用。为了确保正确、安全地使用本产品，请在使用前仔细阅读本使用说明书。由于版本升级，已经进行了更改。本手册中包含的信息如有更改，恕不另行通知。

T8 Lite遥控器适用于所有类型的固定翼、滑翔机、直升机和多旋翼飞机。可以根据使用的航空器选择型号类型，并可以使用各种混合功能。

-RadioMaster 团队敬上.



安全须知

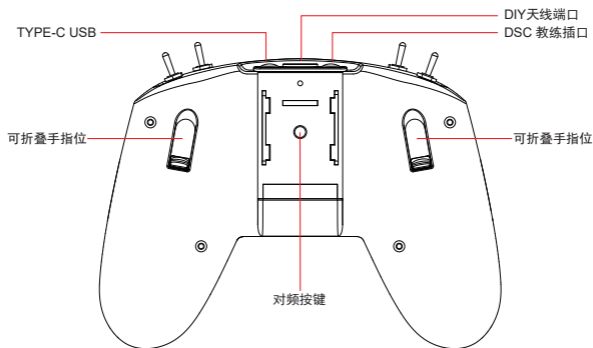
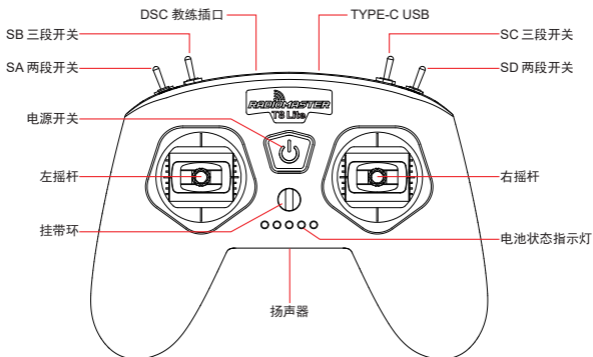
许多遥控模型都配备了强大的电机和锋利的螺旋桨。使用模型时，请谨慎行事。进行组装或维护时，请确保已断开模型的电源并卸下螺旋桨。

在以下情况下，请勿操作T8 Lite遥控系统：

- 在恶劣天气或强风条件下，例如雨，冰雹，下雪，暴风雨或电磁环境中。
- 在能见度有限的任何情况下。
- 在可能存在人员、财产、电力高压线、公共道路、有车辆或动物的区域。
- 如果您感到疲倦或不适，或在药物或酒精的影响下。
- 如果遥控器或模型似乎已损坏或无法正常工作。
- 在2.4GHz干扰较大的区域或禁止使用2.4GHz无线电的地方。
- 当电池电压太低而无法使用时。
- 在当地法规禁止使用航空模型的区域。



遥控器概述





电源及充电注意事项

T8 Lite内置了1000mAh 3.7V Lipo电池以及USB-C充电功能。标称电池电压为3.7v，最大充电电压为4.2v。

请定期检查电池的电压和状况，决不要在无人看守的情况下为其充电。请务必始终在远离可燃材料的安全区域中充电。如果遥控器弄湿或以任何方式损坏，请勿充电。

对于不按照安全规范使用或滥用本产品造成的一切不良后果，RadioMaster不承担任何责任。

充电状态和电池电量：

遥控器下方的5个LED灯指示充电状态。当指示灯依次从左向右点亮时，T8 Lite正在充电。5个LED指示灯平均指示电池容量的20%。当T8 Lite遥控器电压低且需要充电时，所有5个电池状态LED会同时闪烁。在进一步使用遥控器之前，请为遥控器充电。

| 状态 | 指示灯 |
|----|-------------------------------------------------------------------------------------------------------------------------------------------------------------------------------------------------------------------------------------------------------------------------------------------------------------------------------------------------------------------|
| 电量 | 五个指示灯表示0-100%电量，平均每个指示灯表示20%电量 |
| | <div style="display: flex; justify-content: space-around; align-items: center;"> ○ ○ ○ ○ ○ </div> <div style="display: flex; justify-content: space-around; align-items: center; margin-top: 5px;"> 20% 40% 60% 80% 100% </div> |
| 充电 | 指示灯由1-5循环闪烁，表示正在充电，充电完成后指示灯全部常亮 |



开关机

开机：长按电源键，五个指示灯依次点亮并嘀一声后松手。

关机：长按电源键，五个指示灯依次熄灭并嘀一声后松手。

默认通道顺序：

| CH1 | CH2 | CH3 | CH4 | CH5 | CH6 | CH7 | CH8 |
|------|------|-----|--------|------------|------------|------------|------------|
| 副翼横滚 | 升降俯仰 | 油门 | 方向水平旋转 | SA 2段开关 | SB 3段开关 | SC 3段开关 | SD 2段开关 |



对频指南

D8协议接收机

1. 遥控器开机，将油门摇杆保持在最低的位置，长按对频按钮1秒钟以上，遥控器发出“滴-滴-滴”的提示音，同时电源灯会闪烁，表明遥控器进入了D8对频模式。如果遥控器发出“滴滴-滴滴-滴滴”的提示音，表明遥控器进入的是D16的对频模式，需要短按一下对频按键，切回D8模式。

2. 接收机先上电，3秒内按下对频按键，接收机进入对频模式

3. 接收机红灯闪烁表示对频成功，重新给接收机通电即可使用

特别注意：不同的D8协议接收机可能进入对频模式的方式不同，具体细节可参考各接收机对应的说明书，以保证可正确使用。

D16协议接收机

1. 遥控器开机，将油门摇杆保持在最低的位置，长按对频按钮1秒钟以上，遥控器发出“滴滴-滴滴-滴滴”的提示音，同时电源灯会闪烁，表明遥控器进入了D16对频模式。如果遥控器发出“滴-滴-滴”的提示音，表明遥控器进入的是D8的对频模式，需要短按一下对频按键，切回D16模式。

2. 按住对频按键给接收机上电，接收机进入对频模式

3. 接收机红灯闪烁表示对频成功，重新给接收机通电即可使用

特别注意：不同的D16协议接收机可能进入对频模式的方式不同，具体细节可参考各种接收机对应的说明书，以保证可正确使用。



技术指标

规格尺寸：160*130*45mm

重量：218g

传输频率：2.400GHZ-2.480GHZ

发射器模块：D8、D16协议高频模块（CC2500）

支持的协议：D8、D16

发射功率：最大20dbm

天线增益：2db

遥控距离：约1km @ 20dbm

电池：内置1000mAh 3.7V锂离子电池

充电接口：USB-TypeC充电接口

通道数：8个通道

摇杆：高精度电位器摇杆



保修及维修

如果您的遥控器硬件出现任何问题，请保留购买证明并与您购买T8 LITE遥控器的零售商联系。

用户手册

有关T8 LITE详细用户手册，请访问<https://www.radiomasterrc.com>。



Visit our website to learn more
<https://www.radiomasterrc.com/>



Follow us on Facebook
<https://www.facebook.com/radiomasterrc/>



Follow us on Instagram
<https://www.instagram.com/radiomasterrc/>