

感谢您购买Radiomaster ER8GV ExpressLRS接收机，ER8GV接收机基于革命性的 ExpressLRS 系统，具有高性能、高可靠性、配置灵活、响应速度快、射程超远等特点。ER8GV 接收机具有用于滑翔机的内置Vario高度计。

注意:

1.遥控器端推荐的ELRS LUA设置为:

- 标准舵机设置:

数据包传输速率: 100Hz Full
回传比例: Std (1:32) (如果不确定则默认)
开关模式: 8ch

- 高性能舵机设置:

数据包传输速率: 333Hz Full
回传比例: Std (1:128)
开关模式: 8ch

```
RM Zorro 0/100 | C
Packet Rate → 100Hz Full
Telem Ratio → Std (1:32)
Switch Mode → 8ch
Model Match Off (ID: 0)
> TX Power (250mW Dyn)
VIX Administrator
WiFi Connectivity
```

2.EXT-V (外部电压输入) 电压回传读数的最大输入电压为 35V。不要超过 35V，否则会损坏接收机。

3.ER8GV的EXT-V (外部电压输入) 可通过PCB上的EXT-V焊盘进行连接。一根导线必须焊接到这个焊盘上，并连接到电池或电调的正极线上。如果没有发现EXT-V电源，ER8GV将默认读取接收机引脚上的电压，任何情况下只能检测一个电池或电源的电压。

4.您的遥控器将需要校准回传电压。在遥控器的回传设置页面，找到RxBt传感器。编辑传感器设置并微调偏移量 (Offset)，直到显示的读数与模型中电池的实际电压相匹配，如果差异较大，则可能还需要调整比例 (Ratio)。

5.接收机上的第6通道不得用作电源输入通道，可以用作舵机输出通道。来自 ESC 或接收机电池的电源只能应用于1通道至5通道。

*校准的电压与实际测量电池的总电压保持一致即可。

TELEMETRY	11/12	SENSOR 11	7.30
8: TRSS -28dB	*	Type	Custom
9: TQ1y 100%	*	ID	0008 1
10: TSNR 15dB	*	Source	Internal
11: RxBt 7.0V	*	Unit	V
12: Curr 0.0A	*	Precision	0.0
13: Capa 0mAh	*	Ratio	-
VBat%	*	Offset	0.0

6.ExpressLRS 需要 CH5 来设置遥控器中射频模块的锁定/解锁状态。建议在遥控器上给CH5分配给一个开关，例如油门切断开关，使用 ExpressLRS LUA 或 Wifi WebUI，您可以将不同的通道分配给接收机的 CH5 输出。

- CH1: CH1
- CH2: CH2
- CH3: CH3
- CH4: CH4
- CH5: CH9
- CH6: CH6
- CH7: CH7
- CH8: CH8

请访问<https://www.expresslrs.org/>以了解更多关于设置解锁开关的重要性。

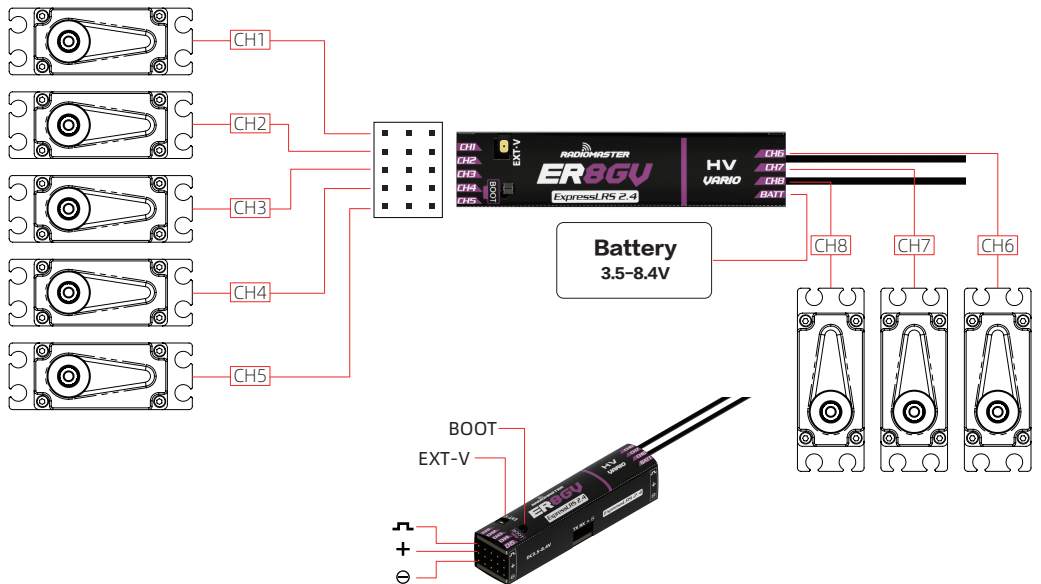
Radiomaster ER8GV 接收机ER8GV内置vario高度计，专为需要紧凑纤薄接收机的滑翔机而设计，可实时回传飞机高度信息，最多可以驱动8个舵机，并具有内置的接收机电压回传和飞行电池回传功能，能够自动检测要使用的电压输入，ER8GV具有双天线，回传功率高达50mw。ER8GV可使用1S Lipo接收机电池稳定供电。

产品特点:

电源: DC 3.5 - 8.4V
天线类型: 20cm 高灵敏度双天线
无线协议: 预装ExpressLRS 3.3.0
输出通道: 8CH PWM
回传功率: 最高100mw (可在LUA中调节)
高度计: 内置高精度气压传感器 (Vario)
回传电压检测范围: DC 4.0 - 35V
总线接口: CRSF
重量: 12克
尺寸: 60*13.5*13mm

固件选择:

设备类别: Radiomaster 2.4Ghz
设备: ER8G/ER8GV 2400 PWM RX



对频方法 (传统方式):

- 1.当您第一次打开接收机时，接收机LED灯会连续双闪。这表明接收机处于对频模式中。如果不是这样，请按住接收机按钮10秒钟来重置接收机。
- 2.打开遥控器上的ExpressLRS LUA，选择[BIND]，然后确认。
- 3.对频成功 指示灯常亮，表示对频成功。

```
RM Zorro 0/100 | C
VIX Administrator
WiFi Connectivity
Backpack
[BLE Joystick]
[Bind]
3.2.0 ISM2G4 848888
Other Devices
```

注意: 要第二次对频接收机或对频到另一个无线电，请重新启动接收机 3 次 (重复上电三次)。在第三次上电后，接收机LED灯将双闪表示对频模式。如果使用3次上电方法无法成功进入对频模式，可以按住接收机按钮10秒将接收机重置为对频模式，或者使用下面的短语对频方法。
警告: 使用重置按钮时，接收机中所有先前的设置都将被删除，需要重新设置。

对频方法 (对频短语方式Binding phrase)

1. 打开ExpressLRS LUA脚本并导航到WiFi连接页面。选择启用WiFi选项，并通过手机、平板电脑或个人电脑连接到您的ExpressLRS发射机WiFi (参见下面的TX WiFi说明)。打开WebUI网页 (ExpressLRS的默认网页地址为: <http://10.0.0.1/>)，并输入一个独特的属于您自己的对频短语，保存并重新启动。
2. 打开接收机，等待60秒，LED迅速闪烁以指示WiFi模式。将您的手机、平板电脑或个人电脑连接到接收机WiFi (参见下面的TX WiFi说明)。打开WebUI网页 (ExpressLRS的默认网页地址为: <http://10.0.0.1/>)，并输入与发射机中一致的对频短语，保存并重新启动。一旦发射机和接收机有相同的对频短语时，它们将自动连接而无需对频。

发射机WiFi: WiFi默认网络名称: ExprsersLRS TX WiFi默认密码: expresslrs 默认URL: http://10.0.0.1/ (在浏览器中打开)	接收机WiFi: WiFi默认网络名称: ExprsersLRS RX WiFi默认密码: expresslrs 默认URL: http://10.0.0.1/ (在浏览器中打开)
--	--

Thank you for purchasing the Radiomaster ER8GV ExpressLRS receiver. The ER8GV receiver is based on the revolutionary ExpressLRS system. It offers high performance, high reliability, flexible configuration, fast response speed and ultra-long range. The ER8GV Receiver has a built in Vario for use in gliders.

Important:

1. The recommended ELRS LUA settings on the remote-control end are:

- **Standard servos:**
- Packet Rate: 100Hz Full
- Telem Ratio: Std (1:32) (default if unsure)
- Switch Mode: 8ch
- **Performance servos:**
- Packet Rate: 333Hz Full
- Telem Ratio: Std (1:128)
- Switch Mode: 8ch

- The maximum input voltage for the EXT-V (external voltage input) telemetry reading is 35V. Do not exceed 35V or the receiver will be damaged.
- The voltage acquisition of the external battery is connected to the positive pole of the battery (welded to the positive pole of the ESC). Please be sure to confirm that the external voltage cannot be connected separately without connecting to the BEC.
- The EXT-V (external voltage input) of the ER8GV is accessed via the EXT-V solder pad on the PCB. A single wire must be soldered to this pad and connected to the positive wire of the battery or ESC. If no EXT-V power source is found, the ER8GV will default to reading the voltage on the receiver pins, only one voltage input can be used at the any given time.
- Calibration of the telemetry voltage will be required on your radio. Navigate to the telemetry page on your radio and locate the RxBt sensor. Edit the sensor settings and adjust the offset until the displayed reading matches the actual voltage of the battery in the model. If there is a large difference, adjustment of the ratio may also be required.
- Channel 6 on the receiver must not be used as the power input channel and may out be used as a servo output channel. Power from an ESC or Receiver battery must only be applied on Channels 1 to 5.

*For best results, calibrate the voltage of your radio using a fully charged battery of the correct cell count intended for use in the model.

6: ExpressLRS Arming requirements and the use of Channel 5: CH5 is required by ExpressLRS to set the Arm state of the RF module in your radio. It is recommended to assign CH5 to a switch such as your throttle cut switch as this will provide benefits such as dynamic power. Using the ExpressLRS LUA or the Wifi WebUI, you can assign different channels to the CH5 output of your receiver. See example to the right:

Please visit <https://www.expresslrs.org/> to learn more on the importance of setting up arming.

- CH1: CH1
- CH2: CH2
- CH3: CH3
- CH4: CH4
- CH5: CH9
- CH6: CH6
- CH7: CH7
- CH8: CH8

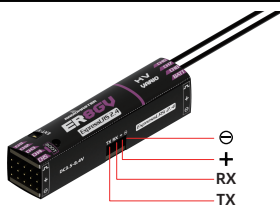
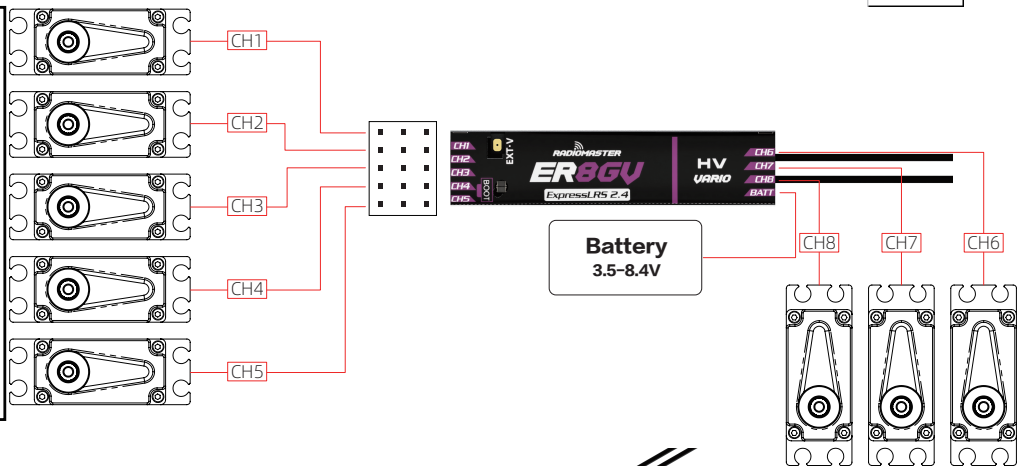
The Radiomaster ER8GV receiver has been specially designed for glider pilots who require a compact and slim receiver with a built in vario function. It can drive up to 8 servos and has built-in receiver voltage telemetry and flight battery telemetry with the ability to automatically detect which voltage input to use. The ER8GV features a dual-antenna with telemetry power up to 100mw. The ER8GV can work with a 1S Lipo receiver batteries.

Product Features:

- Power supply: DC 3.5 - 8.4V
- Antenna type: 20cm high sensitivity antenna
- Wireless protocol: ExpressLRS 3.3.0 pre-installed
- Output channel: 8CH PWM
- Telemetry power: maximum 100mw (LUA Adjustable)
- Built-in high-precision air pressure sensor (Vario)
- External Battery voltage detection range: DC 4.0 - 35V
- Weight: 12 grams
- Dimensions: 60*13.5*13mm

Firmware:

- Device Category: Radiomaster 2.4Ghz
- Device: ER8G/ER8GV 2400 PWM RX



Binding method (Traditional):

- The first time you power on your receiver, the LED will double blink. This indicates that the receiver is in bind mode. If this is not the case, hold down the boot button for 10 seconds to reset the receiver.
- Open the ExpressLRS LUA on your remote controller and select [BIND], then confirm.
- A successful bind is indicated by the light being a steady on, indicating that frequency binding was successful.



Note: To bind the receiver a second time or to another radio, power cycle the receiver 3 times. On the third power cycle, the LED will double blink indicating bind mode. If you cannot successfully enter bind mode with the 3 power cycle method, you can hold down the boot button for 10 seconds to reset the receiver to bind mode or use the passphrase method below.

WARNING: All previous settings in the receiver will be erased and need to be set again when using the reset button.

Binding method (Passphrase):

- Open the ExpressLRS LUA and navigate to the Wifi Connectivity page. Select the Enable Wifi option and connect to your radios wifi with a mobile phone, tablet or PC (See TX Wifi notes below). Open the WebUI (Express LRS web page on <http://10.0.0.1/>) and choose a unique bind phrase. Note Bind phrases are not secret and can be read. Save and Reboot.
- Power up the receiver and wait 60 seconds for the LED to blink rapidly to indicate Wifi mode. Connect your phone, tablet or PC to the receivers Wifi (See TX Wifi notes below). Open the WebUI (Express LRS web page on <http://10.0.0.1/>) and enter the matching bind phrase previously entered on your radio. Note Bind phrases are not secret and can be read. Save and Reboot. Once a radio and a receiver have the same bind phrase set they will automatically bind.

TX Wifi notes:	RX Wifi notes:
WiFi default network name: ExpressLRS TX	WiFi default network name: ExpressLRS RX
WiFi default password: expresslrs	WiFi default password: expresslrs
Default URL: http://10.0.0.1/ (Open in browser)	Default URL: http://10.0.0.1/ (Open in browser)