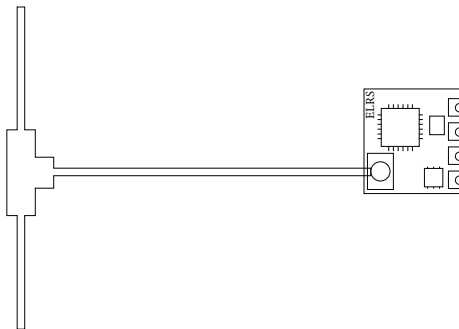


产品特性

供电: DC 5V
 天线类型: 外置高灵敏度T型天线
 无线协议: 预装ELRS 2.0
 总线接口: CRSF
 重量: 0.8克
 尺寸: 10*10毫米

Product Features

Power supply: DC 5V
 Antenna Type: External high-sensitivity T-shaped antenna
 Wireless Protocol: ELRS 2.0 pre-installed
 Bus interface: CRSF
 Weight: 0.8g
 Size: 10*10mm



对频方法

- 1: 关闭遥控器
- 2: 重复给接收机上电三次, 接收机灯双闪, 表明接收机处于对频模式
- 3: 开启遥控器, 进入ExpressLRS的LUA操作界面, 选择到【BIND】, 确认
- 4: 接收机灯常亮表明对频成功

Traditional Binding

For traditional binding, the binding phrase must be commented out in user_defines on the RX.

- 1: Power off your transmitter
- 2: Plug in and unplug your receiver three times
- 3: Make sure the LED is doing a quick double blink, which indicates the receiver is in bind mode
- 4: Use the [BIND] button on the ExpressLRS Lua script, which sends out a binding pulse
- 5: If the receiver has a solid light, it's bound!

	灯状态 Status light	工作状态 Meaning
接收机断开 Receiver disconnected	500毫秒的周期慢闪 Slow flash (500us)	等待连接遥控器 Waiting for transmitter
WiFi升级模式 WiFi upgrade mode	25毫秒的周期快闪 Fast flash (25us)	WiFi功能开启 WiFi On
对频模式 Bind mode	双闪 Double flash	接收机进入对频模式 Receiver in bind mode
模式匹配失败 Mode matching failed	三闪 Triple flash	接收机连接正常, 但是工作模式不匹配 Receiver functional, mode selection error
连接状态 Receiver connected	常亮 Solid	接收机正常工作 Receiver functional

For more information, please visit the ELRS website:

更多操作细节, 请参考ELRS官方网站: <https://www.expresslrs.org/2.0/>