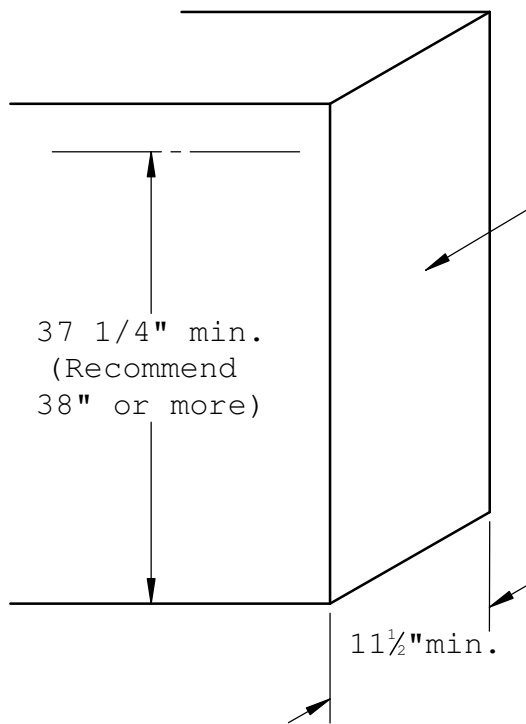
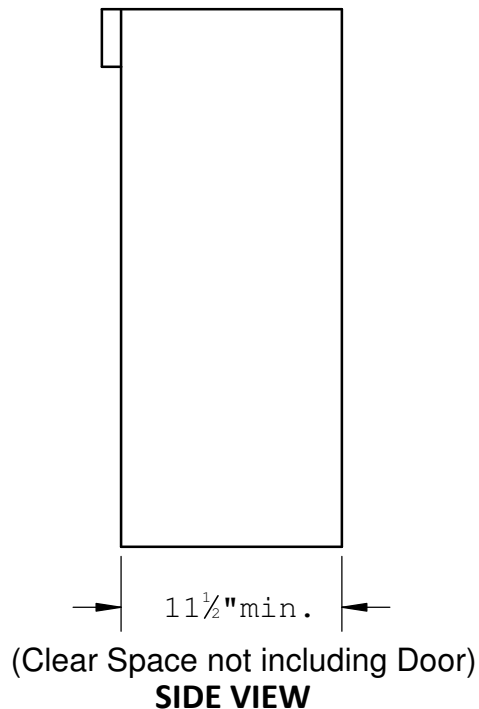
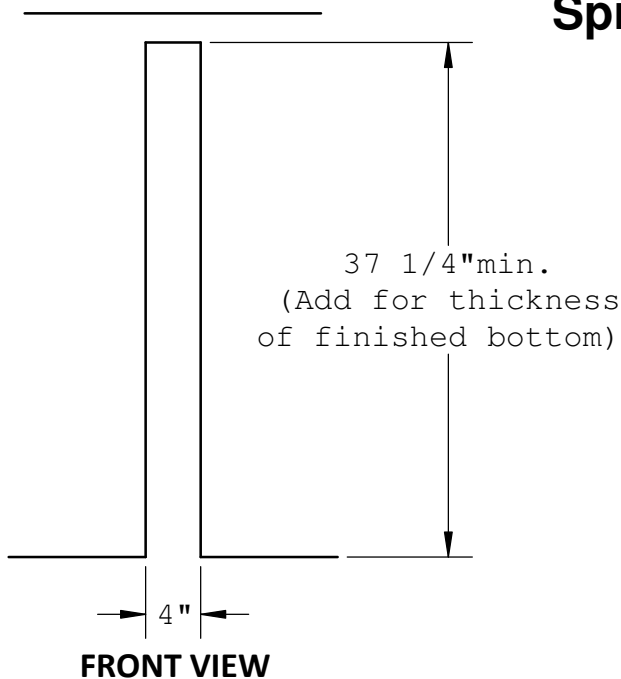


Installation Specifications

Item 8001 Spice Rack



Flat end panel required for mounting
Back side of mounting plate (Right
facing shown, reverse for left facing)

**NOTE: THE DOOR PANEL TO BE
ATTACHED TO THE DROPOUT
SPICE RACK SHOULD NOT EXCEED
5 LBS. INCLUDING THE HANDLE.
OVER SIZED DOORS WILL REDUCE
THE WEIGHT CAPACITY OF THIS
STORAGE SYSTEM.**

