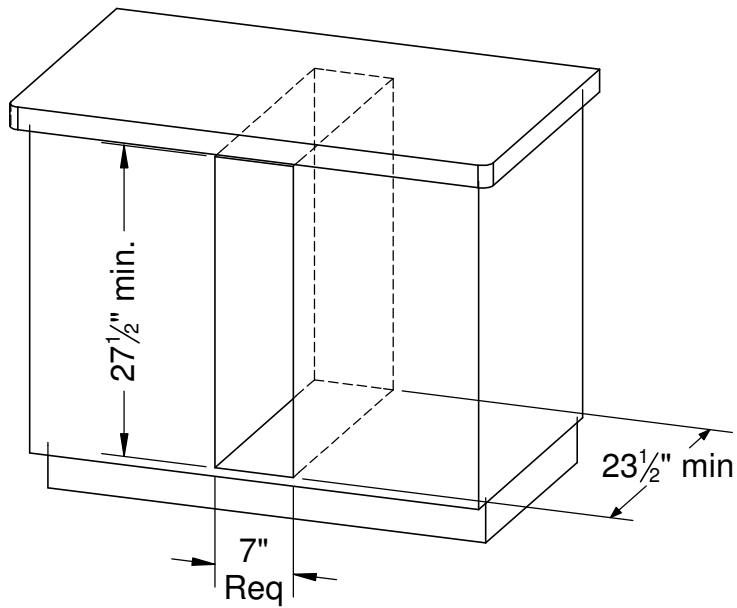


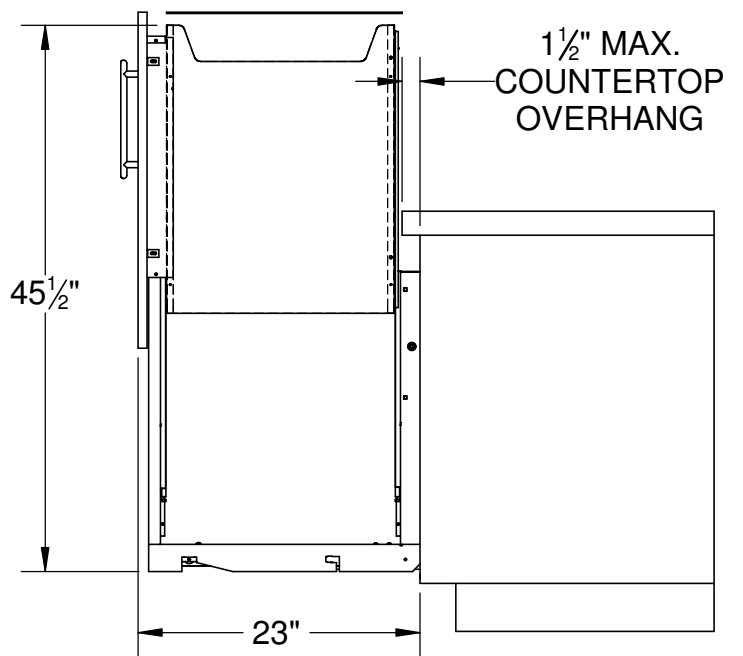
# INSTALLATION SPECIFICATIONS

## ITEM 8056

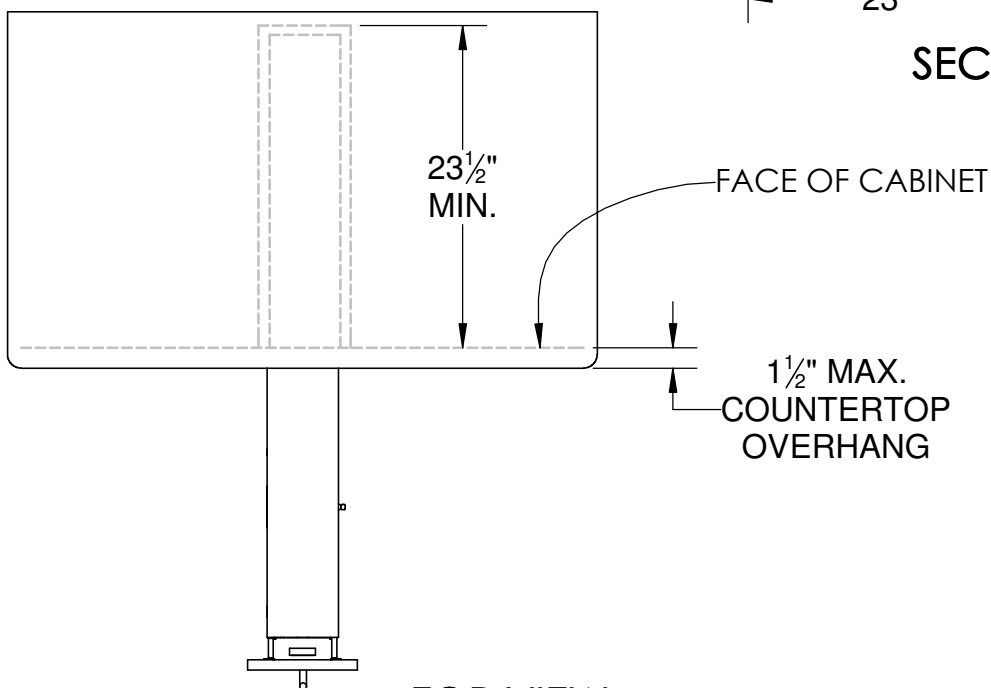
### *THE LEVITATOR*®



CABINET OPENING



SECTION VIEW



TOP VIEW