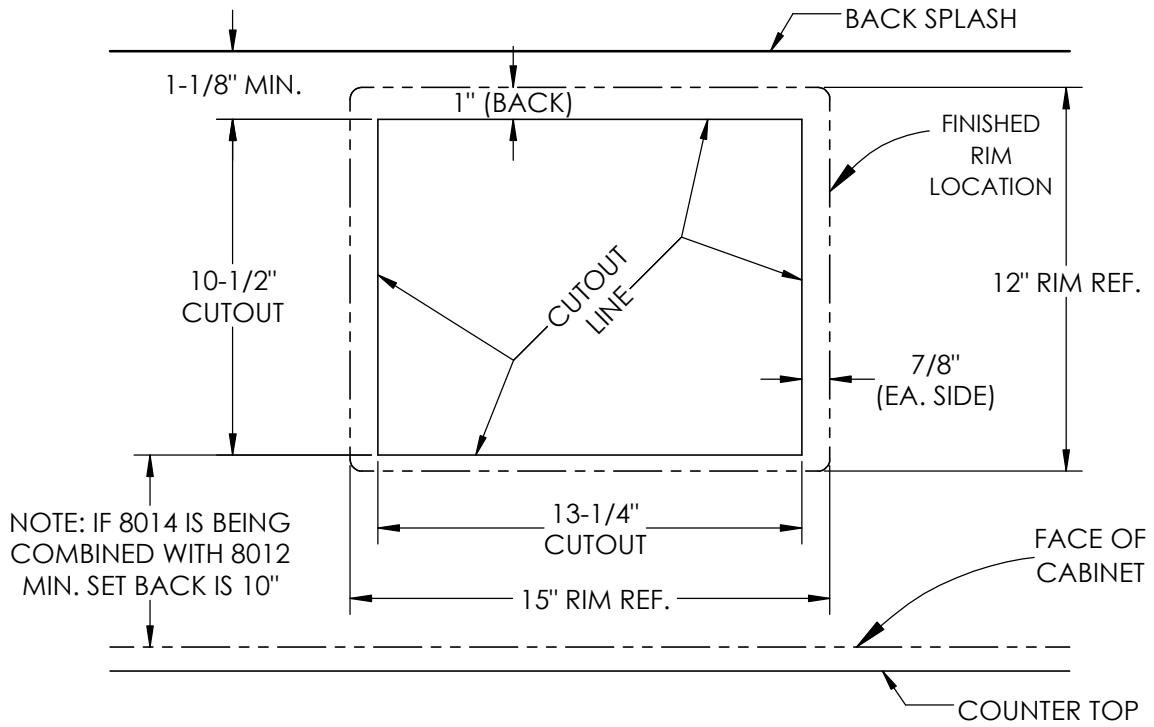


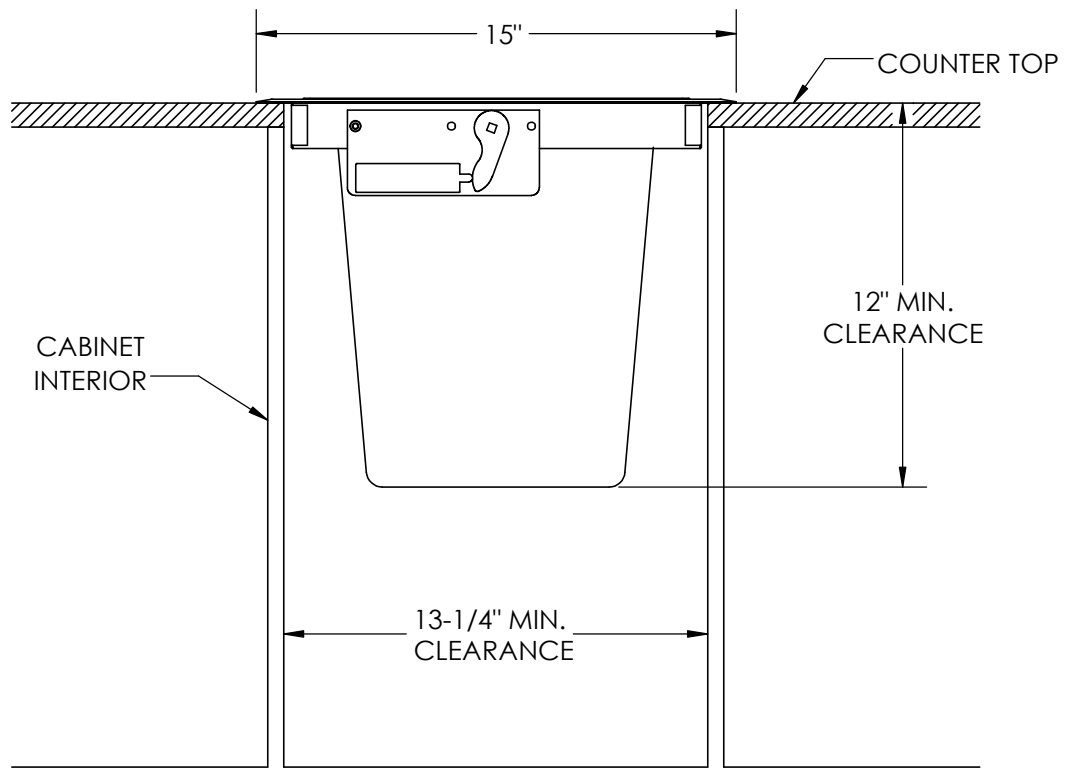
# INSTALLATION SPECIFICATIONS

## ITEM 8014

### COUNTER TOP WASTE SYSTEM



***COUNTER TOP VIEW***



***SECTION VIEW***