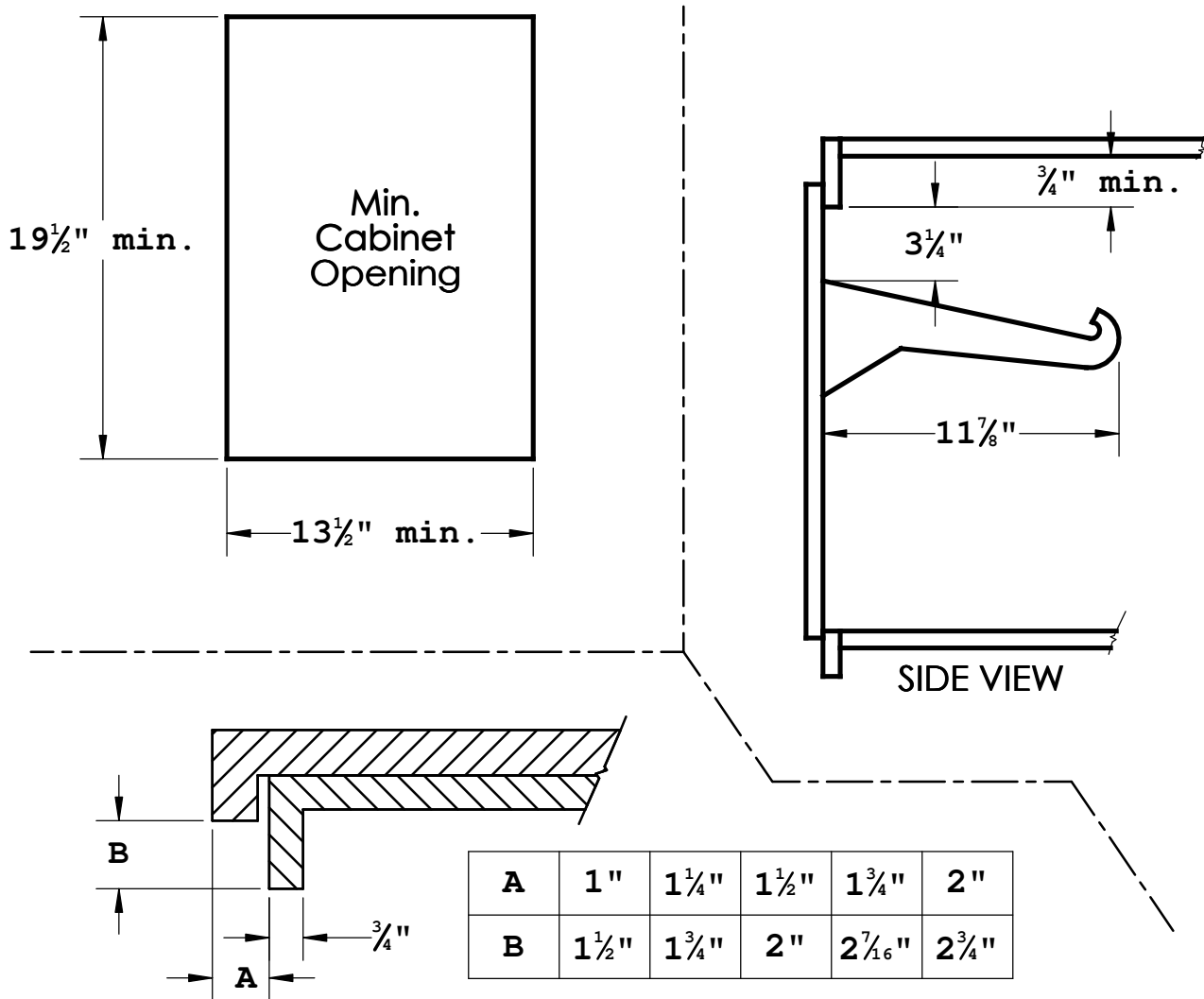


# Installation Specifications Item 8012 Waste Basket



RECOMMENDED FACE FRAME CLEARANCE  
FOR COUNTERTOP OVERHANG

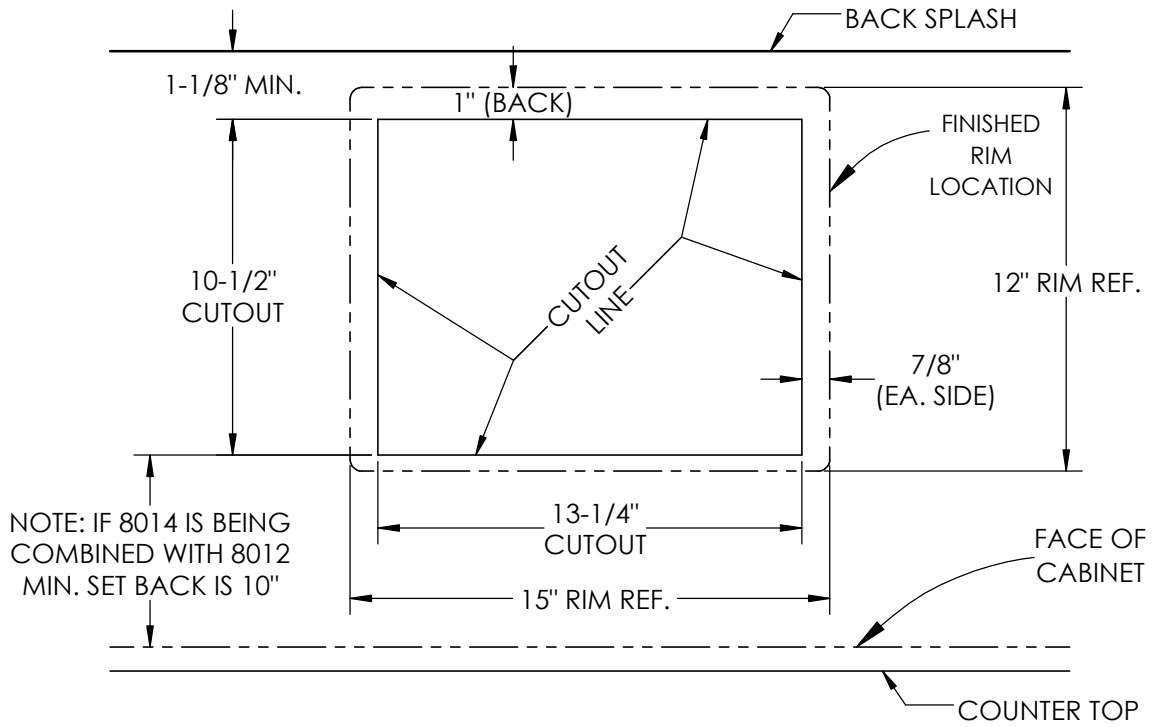
**Waste Basket System Includes**  
 1 - Door Mount Frame  
 1 - 21Qt Waste Basket  
 2 - 35mm Soft Close Hinges  
 All Required Wood Screws

**Waste Basket System Requires**  
 $13\frac{1}{2}"$  wide x  $19\frac{1}{2}"$  high x 12" deep min. cabinet opening  
 Door will require two 35mm hinge cup borings at bottom of door for hinges.  
 Top face frame rail with  $\frac{3}{4}"$  min. lip

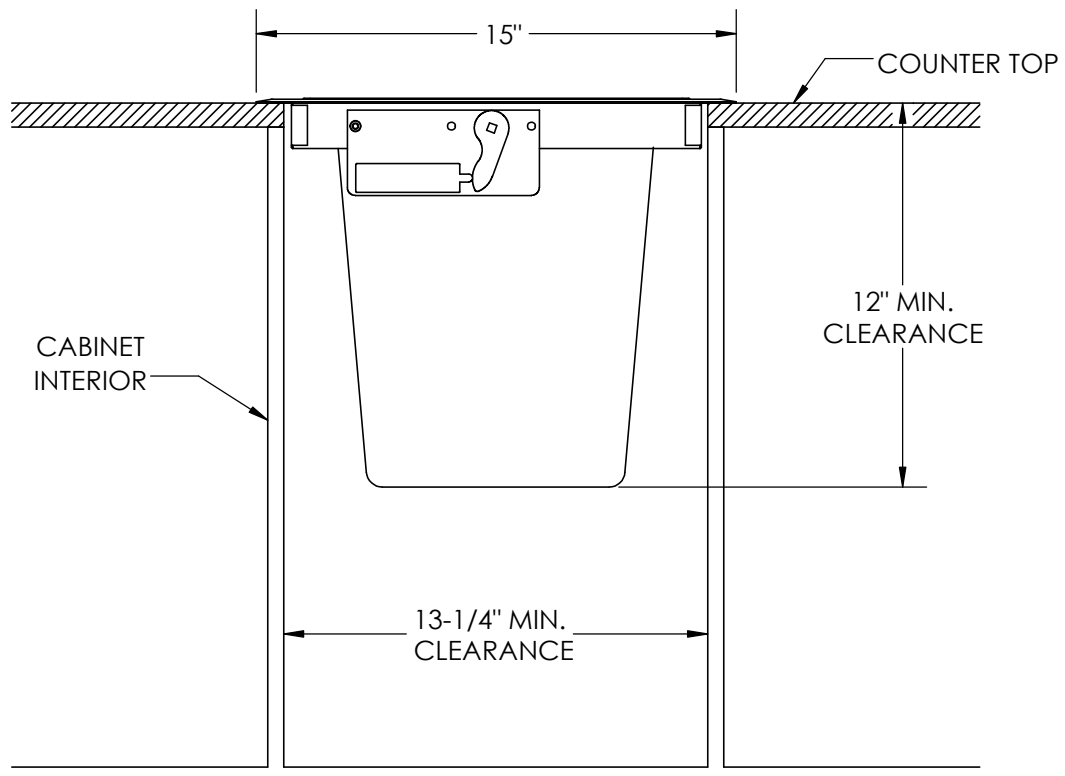
# INSTALLATION SPECIFICATIONS

## ITEM 8014

### COUNTER TOP WASTE SYSTEM



***COUNTER TOP VIEW***



***SECTION VIEW***