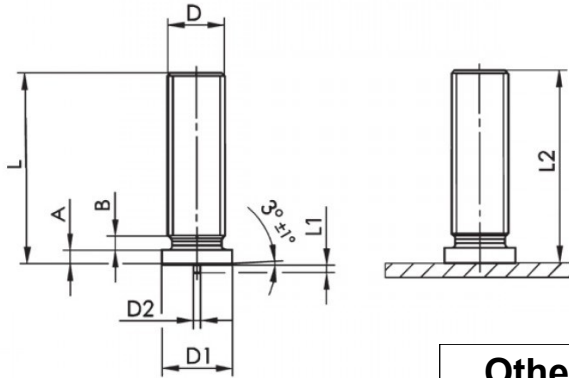


WSI IN STAINLESS STEEL

DIN EN ISO 13918
PT

Capacitor discharge studs with
external thread

All dimensions in mm
Material: Stainless Steel
Finish: Self Colour



R.T.S. SALES LINE
01296 330331

Other sizes are available
upon request

D	L +0.6	D1 +/- 0.2	D2 +/-0.08	L1 +/-0.5	A	B max	L2	PART NUMBER
M3	8 12 15 20 30	4.4	0.6	0.55	1.4 - 0.7	1.5	L - 0.3	WSI-03008-FI WSI-03012-FI WSI-03015-FI WSI-03020-FI WSI-03030-FI
M4	8 12 16 20 30 40	5.5	0.65	0.55	1.4 - 0.7	1.5	L - 0.3	WSI-04008-FI WSI-04012-FI WSI-04016-FI WSI-04020-FI WSI-04030-FI WSI-04040-FI
M5	8 12 15 20 30	6.5	0.75	0.8	1.4 - 0.7	2	L - 0.3	WSI-05008-FI WSI-05012-FI WSI-05015-FI WSI-05020-FI WSI-05030-FI
M6	8 12 15 20 30 40	7.5	0.75	0.8	1.4 - 0.7	2	L - 0.3	WSI-06008-FI WSI-06012-FI WSI-06015-FI WSI-06020-FI WSI-06030-FI WSI-06040-FI
M8	10 12 15 20 30 40	9	0.75	0.85	1.4 - 0.7	3	L - 0.3	WSI-08010-FI WSI-08012-FI WSI-08015-FI WSI-08020-FI WSI-08030-FI WSI-08040-FI

For additional information and technical support please contact R.T.S. technical sales department . R.T.S. reserve the right to change specifications at any time . Information given is for guidance only and should not be used for specific design criteria without reference to our application engineers.